

STAINLESS STEEL 5-, 10-, and 15-Gallon Pressure Tanks

308369V

EN

**Industrial grade pressure tanks used to supply, agitate, and pressurize finishing liquids.
For professional use only.**

Maximum Air Inlet Pressure 100 psi (0.7 MPa, 7 bar)

Maximum Working Fluid Pressure

Low-Pressure Regulated Tank 15 psi (0.1 MPa, 1 bar)

(for HVLP or low-pressure, fine-adjustment applications)

High-Pressure Regulated Tank 100 psi (0.7 MPa, 7 bar)

See page 2 for model information, including approvals.



Important Safety Instructions

Read all warnings and instructions in this manual. Save these instructions.

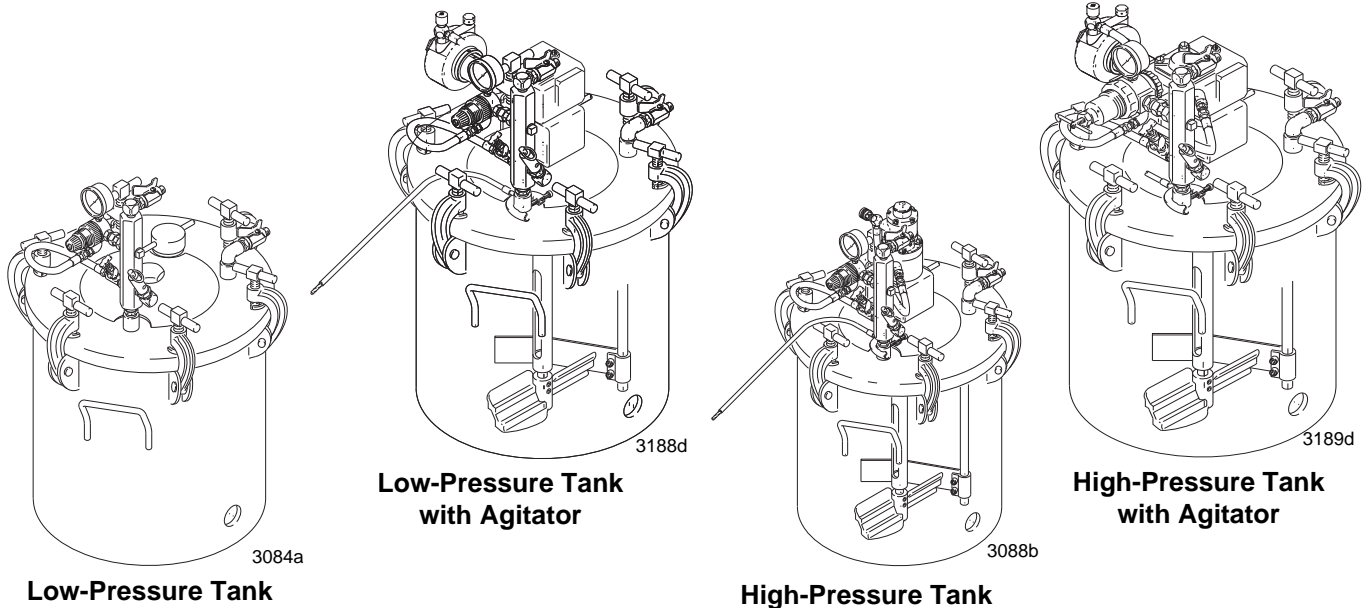


Table of Contents

Models	2	Maintenance	8
Warnings	3	Cleaning the Tank	8
Typical Systems	5	Notes	9
Installation	6	Parts	10
Pressure Relief Procedure	6	Low-Pressure Stainless Steel Tanks	10
Grounding	6	Low-Pressure Stainless Steel Tanks with Agitator	12
Recommended Hose Sizes (general purpose) .	6	High-Pressure Stainless Steel Tanks	14
Installing a Heavy Duty Agitator	6	High-Pressure Stainless Steel Tanks with Agitator	16
Connecting Hoses	6	Accessories	18
Operation	7	Dimensions	20
Preparing the Fluid	7	Technical Data	21
Filling the Tank	7	Graco Standard Warranty	22
Operating the Pressure Tank	7		
Safety Relief Valve	7		

Models








Tank Size gallons (liters)	Low-Pressure Tank Series B	Low-Pressure Tank with Agitator Series C	High-Pressure Tank Series B	High-Pressure Tank with Agitator Series C
5 (19)	236143	236146*	236149	236152*
10 (38)	236144	236147*	236150, 243589	236153*
15 (57)	236145	236148*	236151	236154*

All pressure tanks listed are CE approved to the Pressure Equipment Directive (Category II). Items marked * also are




approved to   II 1/2 G T6
ITS03ATEX11251

Warnings

The following warnings are for the setup, use, grounding, maintenance, and repair of this equipment. The exclamation point symbol alerts you to a general warning and the hazard symbols refer to procedure-specific risks. When these symbols appear in the body of this manual or on warning labels, refer back to these Warnings. Product-specific hazard symbols and warnings not covered in this section may appear throughout the body of this manual where applicable.

 WARNING	
 	<p>EQUIPMENT MISUSE HAZARD</p> <p>Misuse can cause death or serious injury.</p> <ul style="list-style-type: none"> • Do not operate the unit when fatigued or under the influence of drugs or alcohol. • Do not exceed the maximum working pressure or temperature rating of the lowest rated system component. See Technical Data in all equipment manuals. • Use fluids and solvents that are compatible with equipment wetted parts. See Technical Data in all equipment manuals. Read fluid and solvent manufacturer's warnings. For complete information about your material, request MSDS from distributor or retailer. • Do not leave the work area while equipment is energized or under pressure. • Turn off all equipment and follow the Pressure Relief Procedure when equipment is not in use. • Check equipment daily. Repair or replace worn or damaged parts immediately with genuine manufacturer's replacement parts only. • Do not alter or modify equipment. Alterations or modifications may void agency approvals and create safety hazards. • Make sure all equipment is rated and approved for the environment in which you are using it. • Use equipment only for its intended purpose. Call your distributor for information. • Route hoses and cables away from traffic areas, sharp edges, moving parts, and hot surfaces. • Do not kink or over bend hoses or use hoses to pull equipment. • Keep children and animals away from work area. • Comply with all applicable safety regulations.
   	<p>FIRE AND EXPLOSION HAZARD</p> <p>Flammable fumes, such as solvent and paint fumes, in work area can ignite or explode. To help prevent fire and explosion:</p> <ul style="list-style-type: none"> • Use equipment only in well ventilated area. • Eliminate all ignition sources; such as pilot lights, cigarettes, portable electric lamps, and plastic drop cloths (potential static arc). • Keep work area free of debris, including solvent, rags and gasoline. • Do not plug or unplug power cords, or turn power or light switches on or off when flammable fumes are present. • Ground all equipment in the work area. See Grounding instructions. • Use only grounded hoses. • Hold gun firmly to side of grounded pail when triggering into pail. Do not use pail liners unless they are antistatic or conductive. • Stop operation immediately if static sparking occurs or you feel a shock. Do not use equipment until you identify and correct the problem. • Keep a working fire extinguisher in the work area.

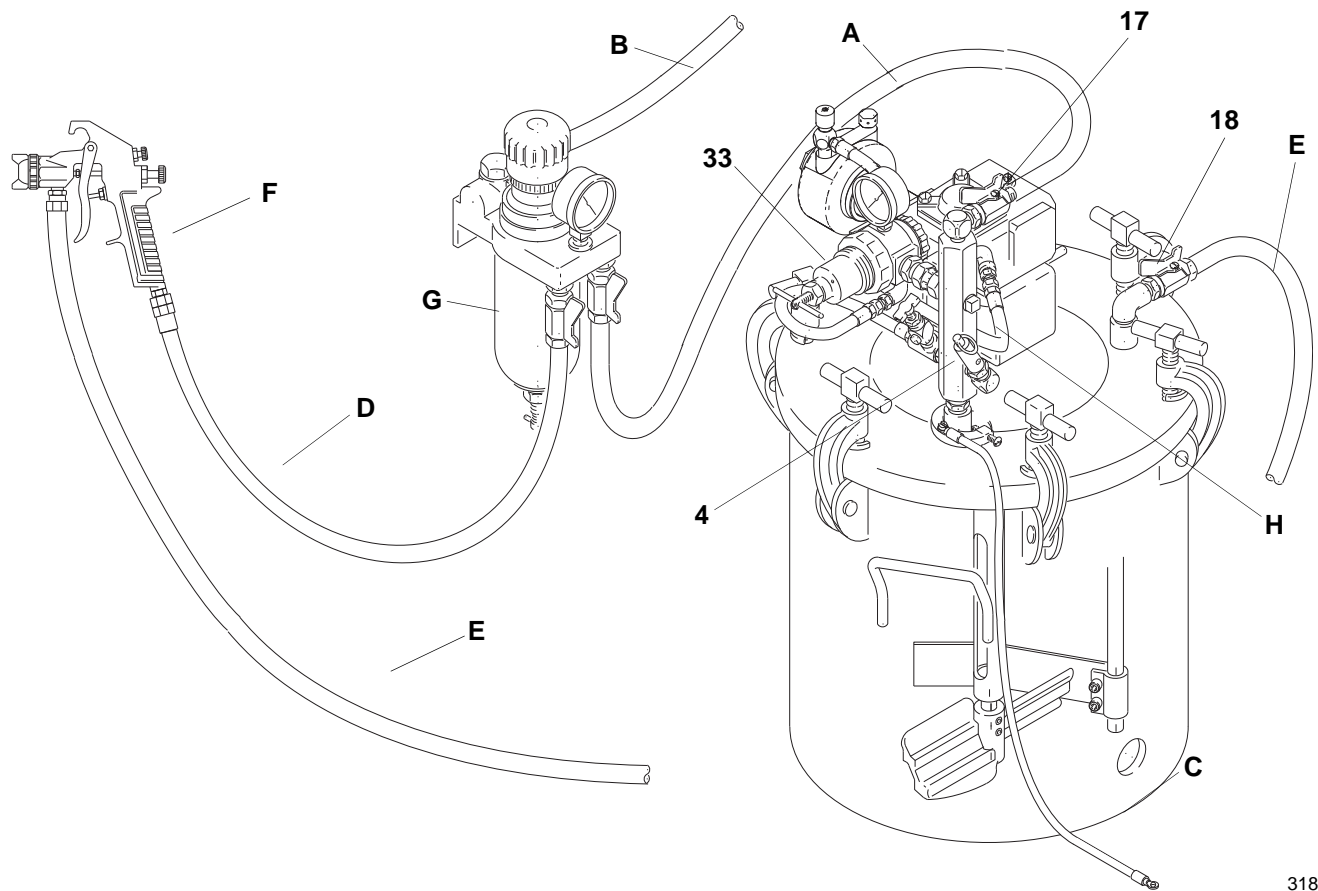
WARNING

	<p>MOVING PARTS HAZARD</p> <p>Moving parts can pinch, cut or amputate fingers and other body parts.</p> <ul style="list-style-type: none">• Keep clear of moving parts.• Do not operate equipment with protective guards or covers removed.• Pressurized equipment can start without warning. Before checking, moving, or servicing equipment, follow the Pressure Relief Procedure and disconnect all power sources.
	
	<p>TOXIC FLUID OR FUMES HAZARD</p> <p>Toxic fluids or fumes can cause serious injury or death if splashed in the eyes or on skin, inhaled, or swallowed.</p> <ul style="list-style-type: none">• Read MSDSs to know the specific hazards of the fluids you are using.• Store hazardous fluid in approved containers, and dispose of it according to applicable guidelines.

Typical Systems

Reference numbers and letters in parentheses in the text refer to references in the illustrations and the parts drawings.

See page 18 for **Accessories** that are available from Graco. Be sure that all accessories are properly sized to withstand the pressures in the system.





3186c



KEY			
A	Air supply hose	G	Air regulator & filter: 1/4-1/8 npt outlets (2) 12-14 npt inlet
B	Main air supply	H	Agitator air hose
C	Ground clamp & wire	4	Safety valve
D	Atomizing air hose	17	Air inlet ball valve; 3/8-18 npsm(m) x 3/8-18 npt (m)
E	Fluid hose	18	Fluid outlet ball valve; 3/8-18 npsm (m) x 3/8-18 npt (m)
F	Air spray gun	33	Tank air regulator

FIG. 1

Installation

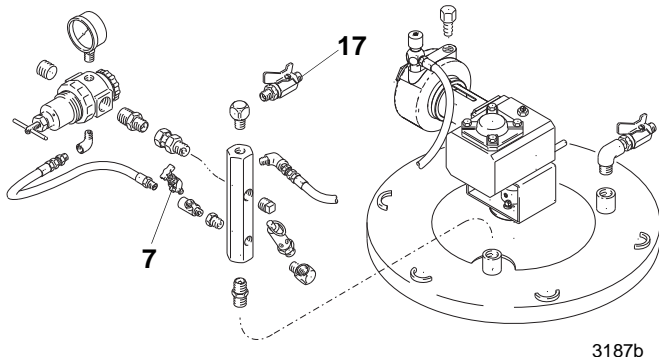
						
<p>Always maintain a minimum of 1 in. clearance between rotating agitator parts and container to prevent sparks from contact.</p>						

Pressure Relief Procedure

						
<p>The pressure tanks remain pressurized until pressure is manually relieved. To reduce the risk of serious injury from pressurized fluid or accidental spray from the gun, always follow this procedure to relieve pressure in the tank at the following times:</p> <ul style="list-style-type: none"> • Before you check or service any part of the spray system • Before you loosen or remove the pressure tank cover or fill port • Whenever you stop spraying 						

1. Shut off the air supply to the tank by closing the air inlet valve (17). Refer to Fig. 2.
2. Open the drain cock fitting (7) by turning it counter-clockwise.
3. Wait until there is no air escaping through the drain cock fitting before removing the cover or opening the fill port.
4. Leave the drain cock fitting (7) open until you have reinstalled the cover or fill port.

NOTE: Tighten the c-clamp to 8-10 ft-lbs. Approximately 1/2 to 1 turn past hand tight.



3187b

FIG. 2

Grounding

Check your local code for detailed grounding instructions for your area and type of equipment. Be sure to ground the pressure tank by connecting one end of a 12 awg (1.5 mm²) minimum ground wire to the pressure tank and the other end of the wire to a true earth ground.

Recommended Hose Sizes (general purpose)

Fluid		Air	
For runs of:	Use:	For runs of:	Use:
0 to 35 ft (0 to 11 m)	3/8" ID	0 to 50 ft (0 to 15 m)	5/16" ID
35 to 100 ft (11 to 30 m)	1/2" ID	50 to 100 ft (15 to 30 m)	3/8" ID
100 to 200 ft (30 to 61 m)	3/4" ID	100 ft+ (30 m+)	1/2" ID

Installing a Heavy Duty Agitator

To install a heavy duty air operated agitator, see manual 308371. This agitator is recommended for fluid viscosities over 800 centipoise (cp).




Connecting Hoses

Refer to Fig. 1, page 4. Install an air regulator and filter (G) upstream from the air inlet ball valve (17) to remove dirt and moisture from the compressed air supply (B). See Accessories on page 16. Connect an air supply hose (A) between the air inlet ball valve (17) and an air outlet of the air regulator and filter (G).

Connect the atomizing air hose (D) to the air spray gun (F) from an air outlet of air regulator and filter (G) or from the gun air regulator kit (see **Accessories** on page 18).

Connect a fluid hose (E) between the 3/8 npt(m) fluid outlet ball valve (18) and the fluid inlet of air spray gun (F).

Operation

						
<p>This is a pressurized tank. Always follow the Pressure Relief Procedure on page 5 before opening the tank cover or fill port. This reduces the risk of serious injury, including splashing in the eyes or on the skin, or injury from moving parts. These injuries can result if the tank pressure is not fully relieved.</p>						

Preparing the Fluid

Prepare the fluid according to the manufacturer's instructions. Strain the fluid to remove large particles that could clog the spray gun or the siphon tube.

Filling the Tank




1. Before filling the tank, follow the **Pressure Relief Procedure** on page 6.
2. Place fluid into the tank by one of the following methods:
 - a. Remove the cover and place a 5-gallon pail of fluid in the 5-gallon tank (see **Dimensions**, page 21).
 - b. Remove the cover and place a 5-gallon anti-static polyethylene liner in the 5-gallon tank. Pour the fluid into the antistatic polyethylene liner (see **Accessories**, page 18).
3. Fill the tank through the fill port in the cover, or remove the cover and pour fluid directly into the tank. Do not exceed the suggested capacity (5, 10 or 15 gallons) of your tank.

NOTE: If a 5-gallon pail is used inside the tank, an adjustment is required to the agitator paddle position to avoid interference. See instruction manual 308371 for adjustment information.

4. Replace the cover or the filler cap (20) and tighten the c-clamp handles to 8-10 ft-lbs, approximately 1/2 to 1 turn past hand tight.

Operating the Pressure Tank

1. Close the tank air regulator (33) by turning the knob *counterclockwise* and turn on the air supply. See FIG. 2.
2. Open the air inlet ball valve (17).
3. Start and adjust the agitator (if it is used) as explained in the separate instruction manual 308371.
4. Adjust the tank air regulator (33) to the approximate pressure desired.
5. Open fluid outlet ball valve (18).
6. Turn on the atomizing air to the air spray gun. Test spray a small area and adjust the pressure as necessary. Always use the lowest possible air pressure to obtain the desired results.

						
<p>Over pressurizing the tank or accessories could cause a part to rupture. To reduce the risk of serious injury, including splashing in the eyes or on the skin, and property damage, never exceed the maximum air and fluid working pressure of the lowest rated component in your system.</p>						

NOTICE
<p>Do not operate the agitator at a high speed for a long period of time. Excessive agitator speed can cause foaming of fluid (making the fluid unusable), vibration, and increased wear on the parts. Always agitate the fluid only enough to maintain even mixing.</p>

Safety Relief Valve

A safety relief valve (4) will automatically relieve the tank pressure when the air pressure exceeds 95 to 100 psi (0.5 to 0.6 MPa, 6.5 to 7 bar). Refer to FIG. 2 or the parts drawings.

Each week, check the working order of the safety relief valve. *Only as a test*, raise the air pressure to 95 to 105 psi (0.5 to 0.6 MPa, 6.5 to 7.1 bar). If the safety relief valve does not relieve the pressure, replace it immediately. Do not attempt to repair it. The safety relief valve will reset automatically when the pressure is relieved.

Maintenance

Cleaning the Tank

1. First follow the **Pressure Relief Procedure** on page 6.
2. Follow the procedure below to force the fluid back through the hose and into the tank:
 - a. Loosen the spray gun air cap retaining ring about two turns.
 - b. Hold a rag over the air cap and trigger the gun for a few seconds, until the fluid is forced back into the tank.
3. Remove the tank cover.
4. Empty the fluid from the tank and pour a suitable amount of solvent into it.

NOTICE

Be sure that the solvent you use is compatible with the fluid being sprayed. Refer to the **Technical Data** section on page 21.

5. Replace the tank cover and tighten the c-clamps, to 8-10 ft-lbs, approximately 1/2 to 1 turn past hand tight.
6. Close the drain cock fitting (7).
7. Turn on the air supply.
8. Hold a metal part of the gun against a grounded metal waste container and trigger the gun into the waste container until clean solvent comes from the gun.
9. Remove the solvent from the system and wipe the inside of the tank and the rest of the equipment clean with a solvent-dampened rag.

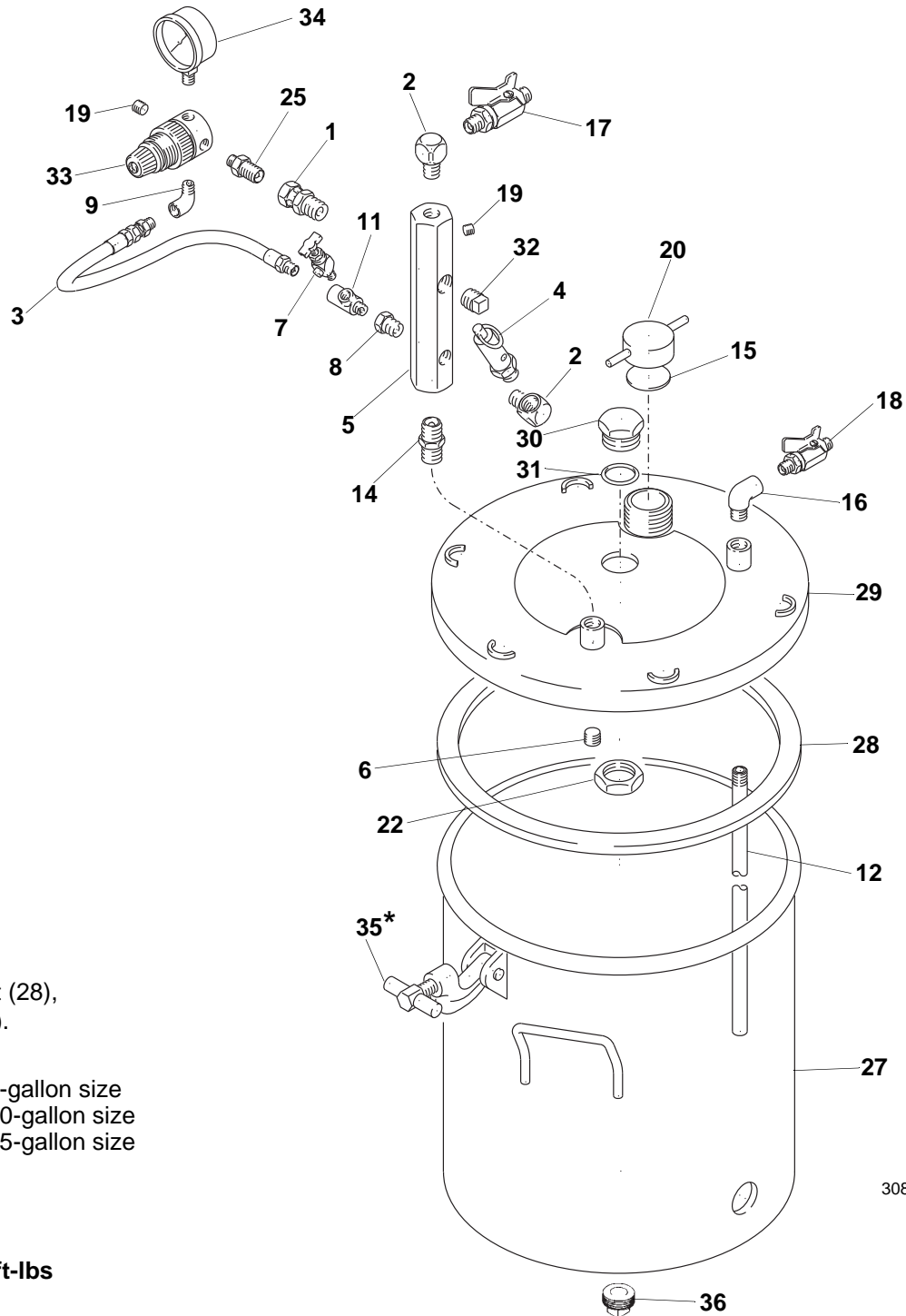
See separate instruction manual 308371 for information on agitator maintenance.

Notes

Parts

Low-Pressure Stainless Steel Tanks

Model 236143, 5-gallon size
 Model 236144, 10-gallon size
 Model 236145, 15-gallon size



Tank Assemblies include tank (27), gasket (28), cover (29), and plug (36).

Part No. Description

- 236087 TANK ASSY; 5-gallon size
- 236088 TANK ASSY; 10-gallon size
- 236089 TANK ASSY; 15-gallon size

***Torque to 8-10 ft-lbs**

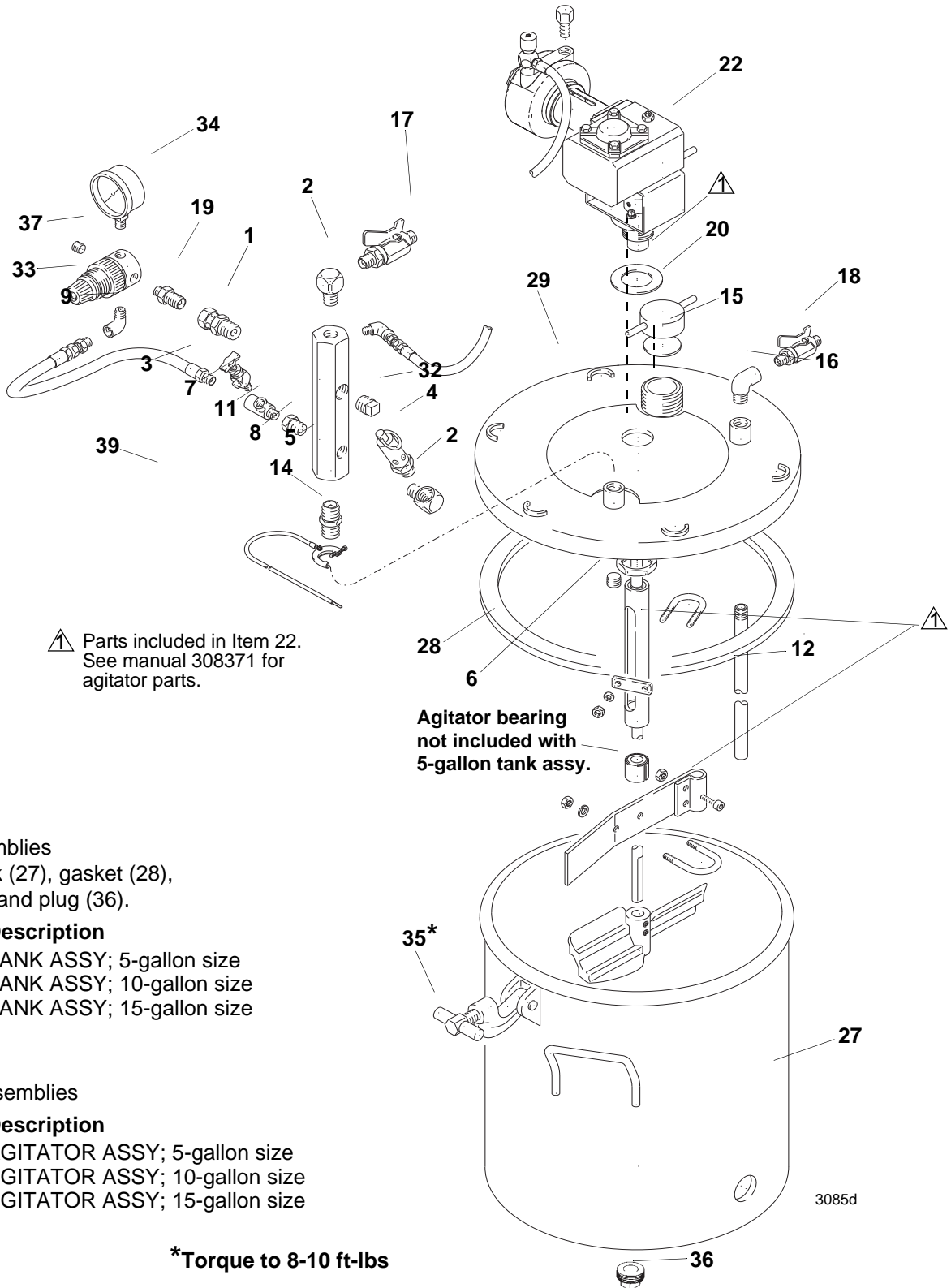
3083a

Low-Pressure Stainless Steel Tanks - Parts List

Ref. No.	Part No.	Description	Qty.	Ref. No.	Part No.	Description	Qty.
1	110476	ADAPTER, union, straight swivel; 3/8 npt(m) to 1/4 npsm(f)	2	21	176373	LABEL, Warning (not shown)	1
2	100840	ELBOW, street; 1/4-18 npt(m x f)	2	22	188784	NUT, jam; 1-1/2-12-unf-2b; sst	1
3	164724	HOSE, coupled; 400 wpr; 1/8-27 npt(m)	1	25	151519	NIPPLE, reducing; 1/4-1/8 npt	1
4	103347	VALVE, safety, 100 psi (0.7 Mpa, 7 bar); 1/4-18 npt(m)	1	27	236087	TANK; 5-gallon size; sst Includes items 28, 29 & 36	1
5	189016	MANIFOLD, air inlet; 3/8-18 npt; 1/4-18 npt(m)	1		236088	TANK; 10-gallon size; sst Includes items 28, 29 & 36	1
6	112306	PLUG, pipe; 3/8-18 npt; sst	1		236089	TANK; 15-gallon size; sst Includes items 28, 29 & 36	1
7	101759	FITTING, drain cock	1	28✓	117571	GASKET; Santoprene®	1
8	100030	BUSHING; 1/8-27 npt(f) x 1/4-18 npt(m)	1	29		COVER, tank; sst	1
9	112307	ELBOW, street, 90°; 1/8-27 npt(f) x 1/8-27 npt(m)	1	30	188880	PLUG, lid; sst	1
11	110475	TEE, street; zinc plated steel; 1/8-27 npt(f) x 1/8-27 npt(m)	1	31✓	103414	O-RING, packing; polyamide	1
12	171976	TUBE; 5-gallon size; sst	1	32	104813	PLUG, pipe; 3/8-18 npt	1
	171975	TUBE; 10-gallon size; sst	1	33✓	111501	REGULATOR; 0 to 15 psi (0 to 0.1 MPa, 0 to 1 bar)	1
	171974	TUBE; 15-gallon size; sst	1	34✓	110444	GAUGE, pressure, air; 0 to 15 psi (0 to 0.1 MPa, 0 to 1 bar)	1
14	156849	NIPPLE, pipe; 3/8-18 npt	1	35✓†	110143	T-HANDLE	6
15✓	171988	GASKET; chlororene rubber and cork	1	36		PLUG, bottom; 3/4-14 npt	1
16	110756	ELBOW, street, 90°; 3/8 npt x 3/8 npt; sst	1	38‡		LINER, antistatic polyethylene; (not shown)	1
17✓	208390	VALVE, ball; 1/4-18 npt(m) See 307068 for parts	1		✓	Keep these spare parts on hand to reduce down time	
18✓	237533	VALVE, ball; sst; 3/8-18 npsm(m) x 3/8-18 npt(m), See 307068 for parts	1		†	A C-clamp replacement Kit is available. It includes the T-handle, C-clamp, pin, and cotter pin. Order 111381.	
19	100139	PLUG, pipe, headless; 1/8-27 npt	2		‡	To purchase a box of antistatic polyethylene liners, see Accessories on page 16.	
20	210575	CAP, filler	1		NOTE:	The 307 numbers in the descriptions refer to separate instruction manuals.	

Low-Pressure Stainless Steel Tanks with Agitator

Model 236146, 5-gallon size
 Model 236147, 10-gallon size
 Model 236148, 15-gallon size



⚠ Parts included in Item 22.
 See manual 308371 for
 agitator parts.

Agitator bearing
 not included with
 5-gallon tank assy.

Tank Assemblies
 include tank (27), gasket (28),
 cover (29), and plug (36).

Part No. Description

- 236087 TANK ASSY; 5-gallon size
- 236088 TANK ASSY; 10-gallon size
- 236089 TANK ASSY; 15-gallon size

Agitator Assemblies

Part No. Description

- 236661 AGITATOR ASSY; 5-gallon size
- 236662 AGITATOR ASSY; 10-gallon size
- 236663 AGITATOR ASSY; 15-gallon size

***Torque to 8-10 ft-lbs**

Low-Pressure Stainless Steel Tanks with Agitator - Parts List

Ref. No.	Part No.	Description	Qty.	Ref. No.	Part No.	Description	Qty.
1	110476	ADAPTER, union, straight swivel; 3/8 npt(m) to 1/4 npsm(f)	2	22	236661	AGITATOR, pressure, tank; 5-gallon size; sst	1
2	100840	ELBOW, street; 1/4-18 npt(m x f)	2		236662	AGITATOR, pressure, tank; 10-gallon size; sst	1
3	164724	HOSE, coupled; 400 wpr; 1/8-27 npt(m)	1		236663	AGITATOR, pressure, tank; 15-gallon size; sst	1
4	103347	VALVE, safety, 100 psi (0.7 Mpa, 7 bar); 1/4-18 npt(m)	1			See manual 308371 for agitator parts	
5	189016	MANIFOLD, air inlet; 3/8-18 npt; 1/4-18 npt(m)	1	27	236087	TANK; 5-gallon size; sst	1
6	112306	PLUG, pipe; 3/8-18 npt; sst	1			Includes items 28, 29 & 36	
7	101759	FITTING, drain cock	1		236088	TANK; 10-gallon size; sst	1
8	100030	BUSHING; 1/8-27 npt(f) x 1/4-18 npt(m)	1			Includes items 28, 29 & 36	
9	112307	ELBOW, street, 90°; 1/8-27 npt(f) x 1/8-27 npt(m)	1		236089	TANK; 15-gallon size; sst	1
11	110475	TEE, street; zinc plated steel; 1/8-27 npt(f) x 1/8-27 npt(m)	1	28✓	117571	GASKET; Santoprene®	1
12	171976	TUBE; 5-gallon size; sst	1	29		COVER, tank; sst	1
	171975	TUBE; 10-gallon size; sst	1	32	104813	PLUG, pipe; 3/8-18 npt	1
	171974	TUBE; 15-gallon size; sst	1	33✓	111501	REGULATOR; 0 to 15 psi (0 to 0.1 MPa, 0 to 1 bar)	1
14	156849	NIPPLE, pipe; 3/8-18 npt	1	34✓	110444	GAUGE, pressure, air; 0 to 15 psi (0 to 0.1 MPa, 0 to 1 bar)	1
15✓	171988	GASKET; chlororene rubber and cork	1	35✓†	110143	T-HANDLE	6
16	110756	ELBOW, street, 90°; 3/8 npt x 3/8 npt; sst	1	36		PLUG, bottom; 3/4-14 npt	1
17✓	208390	VALVE, ball; 1/4-18 npt(m) See 307068 for parts	1	37	100139	PLUG, pipe, 1/8 npt	1
18✓	237533	VALVE, ball; sst; 3/8-18 npsm(m) x 3/8-18 npt(m), See 307068 for parts	1	38‡		LINER, antistatic polyethylene; (not shown)	1
19	151519	NIPPLE, reducing; 1/4-1/8 npt	2	39	222011	CLAMP, grounding	1
20	210575	CAP, filler	1				
21	176373	LABEL, Warning (not shown)	1				

✓ Keep these spare parts on hand to reduce down time

† A C-clamp replacement Kit is available. It includes the T-handle, C-clamp, pin, and cotter pin. Order 111381.

‡ To purchase a box of antistatic polyethylene liners, see **Accessories** on page 16.

NOTE: The 307 numbers in the descriptions refer to separate instruction manuals.

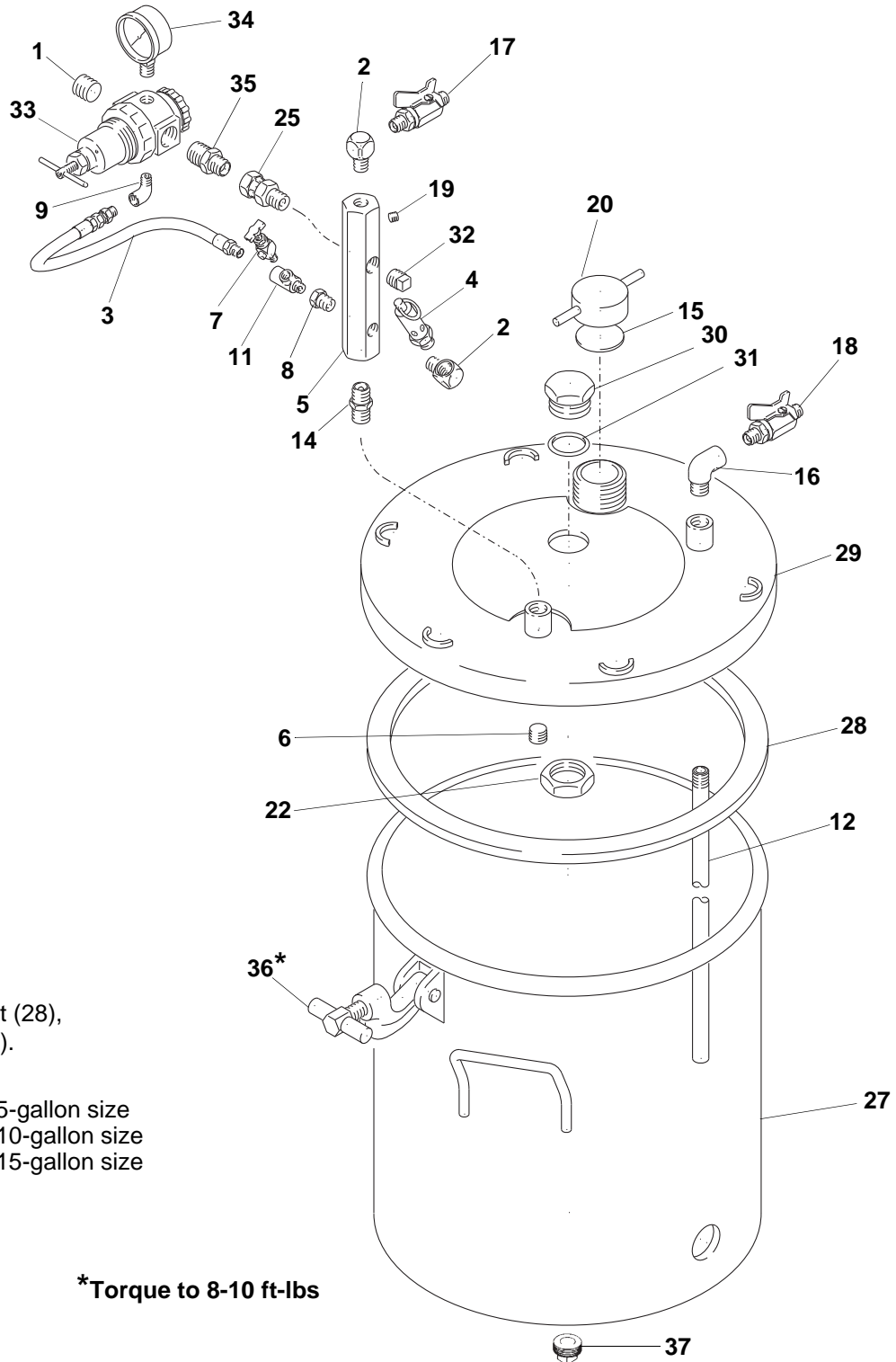
High-Pressure Stainless Steel Tanks

Model 236149, 5-gallon size, includes items 1-38

Model 236150, 10-gallon size, includes items 1-38

Model 243589, 10-gallon size, includes items 2-16, 19-22, 27-32, 36-38

Model 236151, 15 gallon size, includes items 1-38



Tank Assemblies include tank (27), gasket (28), cover (29), and plug (37).

Part No. Description

- 236087 TANK ASSY; 5-gallon size
- 236088 TANK ASSY; 10-gallon size
- 236089 TANK ASSY; 15-gallon size

***Torque to 8-10 ft-lbs**

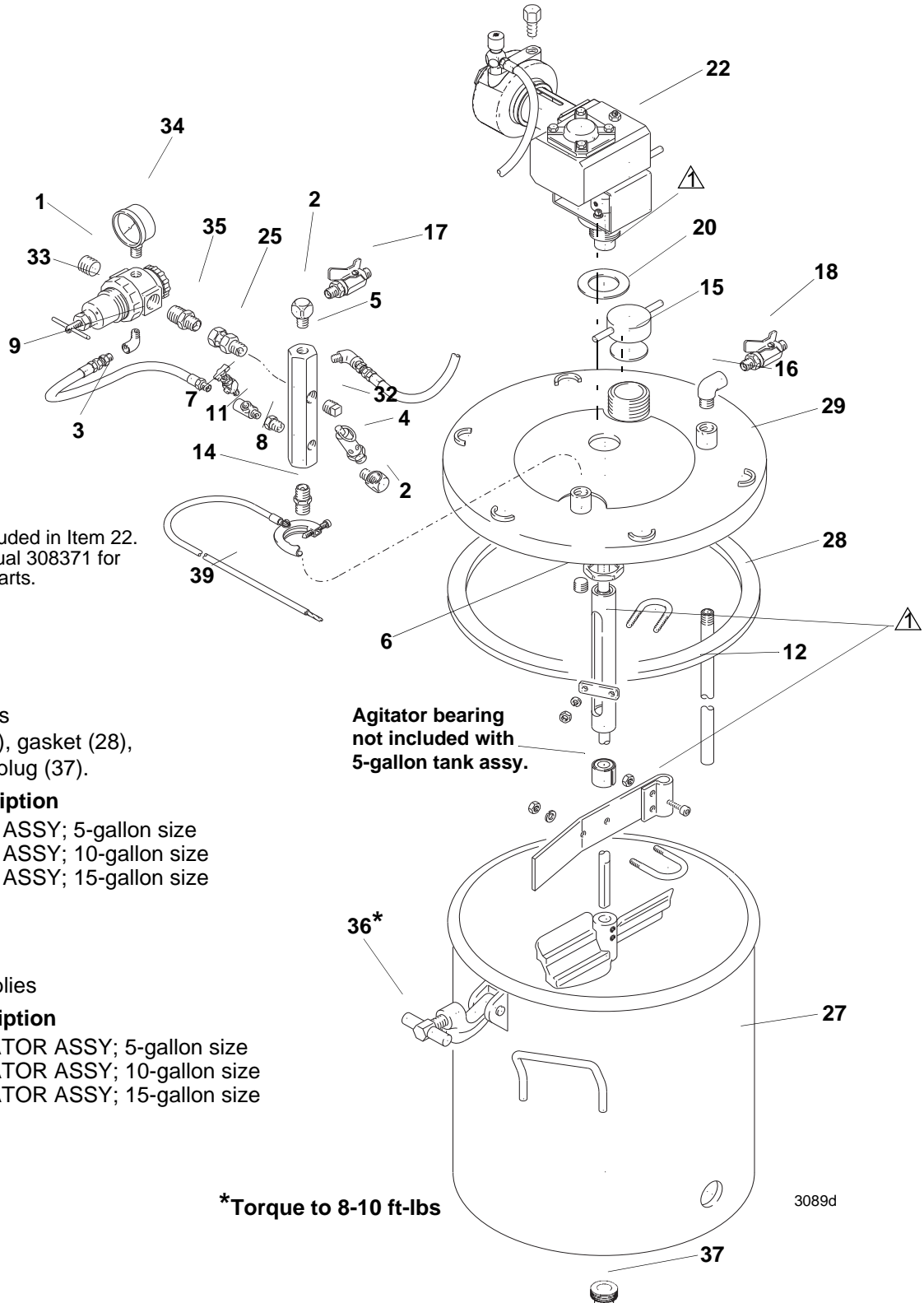
High-Pressure Stainless Steel Tanks - Parts List

Ref. No.	Part No.	Description	Qty.	Ref. No.	Part No.	Description	Qty.
1*	100361	PLUG, pipe, headless; 1/2-14 npt(f)	1	25*	155665	UNION, adapter; 3/8 npt x 3/8 npsm	1
2	100840	ELBOW, street; 1/4-18 npt(m x f)	2	27	236087	TANK; 5-gallon size; sst Includes items 28, 29 & 37	1
3	164724	HOSE, coupled; 400 wpr; 1/8-27 npt(m)	1	236088	TANK; 10-gallon size; sst Includes items 28, 29 & 37	1	
4	103347	VALVE, safety, 100 psi (0.7 Mpa, 7 bar); 1/4-18 npt(m)	1	236089	TANK; 15-gallon size; sst Includes items 28, 29 & 37	1	
5	189016	MANIFOLD, air inlet; 3/8-18 npt; 1/4-18 npt	1	28✓	117571	GASKET; Santoprene®	1
6	112306	PLUG, pipe; 3/8-18 npt; sst	1	29		COVER, tank; sst	1
7	101759	FITTING, drain cock	1	30	188880	PLUG, lid; sst	1
8	100030	BUSHING; 1/8-27 npt(f) x 1/4-18 npt(m)	1	31✓	103414	O-RING, packing; polyamide	1
9	112538	ELBOW, street, 90°; 1/8-27 npt(f) x 1/4-18 npt(m)	1	32	104813	PLUG, pipe; 3/8-18 npt	1
11	110475	TEE, street; zinc plated steel; 1/8-27 npt(f) x 1/8-27 npt(m)	1	33*✓	104267	REGULATOR; air; 2 to 125 psi (0.01 to 0.8 MPa, 0.1 to 9 bar)	1
12	171976	TUBE; 5-gallon size; sst	1	34*✓	160430	GAUGE, pressure, air; 0 to 100 psi (0 to 0.7 MPa, 0 to 7 bar)	1
	171975	TUBE; 10-gallon size; sst	1	35*	159239	NIPPLE, pipe, reducing; 1/2-14 npt x 3/8-18 npt	1
	171974	TUBE; 15-gallon size; sst	1	36✓†	110143	T-HANDLE	6
14	156849	NIPPLE, pipe; 3/8-18 npt	1	37		PLUG, bottom; 3/4-14 npt	1
15✓	171988	GASKET; chlororene rubber and cork	1	38‡		LINER, antistatic polyethylene; (not shown)	1
16	110756	ELBOW, street, 90°; 3/8 npt x 3/8 npt; sst	1	✓	Keep these spare parts on hand to reduce down time		
17*✓	208390	VALVE, ball; 1/4-18 npt(m) See 307068 for parts	1	†	A C-clamp replacement Kit is available. It includes the T-handle, C-clamp, pin, and cotter pin. Order 111381.		
18*✓	237533	VALVE, ball; sst; 3/8-18 npsm(m) x 3/8-18 npt(m), See 307068 for parts	1	‡	To purchase a box of antistatic polyethylene liners, see Accessories on page 16.		
19	100139	PLUG, pipe, headless; 1/8-27 nptf	1	*	Not included with Model 243589		
20	210575	CAP, filler	1				
21	176373	LABEL, Warning (not shown)	1				
22	188784	NUT, jam; 1-1/2-12-unf-2b; sst	1				

NOTE: The 307 numbers in the descriptions refer to separate instruction manuals.

High-Pressure Stainless Steel Tanks with Agitator

Model 236152, 5-gallon size
 Model 236153, 10-gallon size
 Model 236154, 15-gallon size



⚠ Parts included in Item 22. See manual 308371 for agitator parts.

Tank Assemblies include tank (27), gasket (28), cover (29), and plug (37).

Part No. Description

- 236087 TANK ASSY; 5-gallon size
- 236088 TANK ASSY; 10-gallon size
- 236089 TANK ASSY; 15-gallon size

Agitator bearing not included with 5-gallon tank assy.

Agitator Assemblies

Part No. Description

- 236661 AGITATOR ASSY; 5-gallon size
- 236662 AGITATOR ASSY; 10-gallon size
- 236663 AGITATOR ASSY; 15-gallon size

*Torque to 8-10 ft-lbs

3089d

High-Pressure Stainless Steel Tanks with Agitator- Parts List

Ref. No.	Part No.	Description	Qty.	Ref. No.	Part No.	Description	Qty.
1	100361	PLUG, pipe, hdless; 1/2-14 npt(f)	1	27	236087	TANK; 5-gallon size; sst Includes items 28, 29 & 36	1
2	100840	ELBOW, street; 1/4-18 npt(m x f)	2		236088	TANK; 10-gallon size; sst Includes items 28, 29 & 36	1
3	164724	HOSE, coupled; 400 wpr; 1/8-27 npt(m)	1		236089	TANK; 15-gallon size; sst Includes items 28, 29 & 36	1
4	103347	VALVE, safety, 100 psi (0.7 Mpa, 7 bar); 1/4-18 npt(m)	1	28✓	117571	GASKET; Santoprene®	1
5	189016	MANIFOLD, air inlet; 3/8-18 npt; 1/4-18 npt(m)	1	29		COVER, tank; sst	1
6	112306	PLUG, pipe; 3/8-18 npt; sst	1	32	104813	PLUG, pipe; 3/8-18 npt	1
7	101759	FITTING, drain cock	1	33✓	104267	REGULATOR. air; 2 to 125 psi (0.01 to 0.8 MPa, 0.01 to 9 bar)	1
8	100030	BUSHING; 1/8-27 npt(f) x 1/4-18 npt(m)	1	34✓	160430	GAUGE, pressure, air; 0 to 100 psi (0 to 0.7 MPa, 0 to 7 bar)	1
9	112538	ELBOW, street, 90°; 1/8-27 npt(f) x 1/4-18 npt(m)	1	35	159239	NIPPLE, pipe, reducing; 1/2-14 npt x 3/8-18 npt	1
11	110475	TEE, street; zinc plated steel; 1/8-27 npt(f) x 1/8-27 npt(m)	1	36✓†	110143	T-HANDLE	6
12	171976	TUBE; 5-gallon size; sst	1	37		PLUG, bottom	1
	171975	TUBE; 10-gallon size; sst	1	38‡		LINER, antistatic polyethylene; (not shown)	1
	171974	TUBE; 15-gallon size; sst	1	39	222011	CLAMP, grounding	1
14	156849	NIPPLE, pipe; 3/8-18 npt	1				
15✓	171988	GASKET; chlororene rubber and cork	1				
16	110756	ELBOW, street, 90°; 3/8 npt x 3/8 npt; sst	1				
17✓	208390	VALVE, ball; 1/4-18 npt(m) See 307068 for parts	1				
18✓	237533	VALVE, ball; sst; 3/8-18 npsm(m) x 3/8-18 npt(m), See 307068 for parts	1				
19	176373	LABEL, Warning (not shown)	1				
20	210575	CAP, filler	1				
21	155665	UNION, adapter; 3/8 npt x 3/8 npsm	1				
22	236661	AGITATOR, pressure, tank; 5-gallon size; sst	1				
	236662	AGITATOR, pressure, tank; 10-gallon size; sst	1				
	236663	AGITATOR, pressure, tank; 15-gallon size; sst See manual 308371 for agitator parts	1				

✓ Keep these spare parts on hand to reduce down time

† A C-clamp replacement Kit is available. It includes the T-handle, C-clamp, pin, and cotter pin. Order 111381.

‡ To purchase a box of antistatic polyethylene liners, see **Accessories** on page 16.

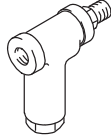
NOTE: The 307 numbers in the descriptions refer to separate instruction manuals.

Accessories

Strainer 202271

300 psi (2.1 MPa, 21 bar) Maximum Working Pressure

Install at the tank air inlet to remove dirt and moisture from the air supply, or at the tank fluid outlet to remove particles from the paint which could clog the spray gun nozzle.



Buna-N Air Supply Hose

200 psi (1.4 MPa, 14 bar) Maximum Working Pressure

5/16" ID; cpd 1/4 npsm(f) swivel

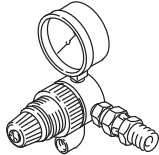
210866 15 ft (4.6 m) long

210867 25 ft (7.6 m) long

Low-Pressure Regulator Conversion Kit 235041

15 psi (0.1 MPa, 1 bar) Working Pressure. 0 to 15 psi (0 to 0.1 MPa, 0 to 1 bar) regulated pressure range

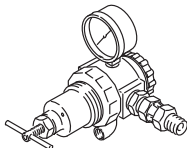
To convert to a low-pressure regulator assembly.



High-Pressure Regulator Conversion Kit 236680

100 psi (0.7 MPa, 7 bar) Working Pressure. 0 to 100 psi (0 to 0.7 MPa, 0 to 7 bar) regulated pressure range

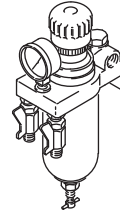
To convert to a high-pressure regulator assembly.



Air Regulator and Filter 202660

100 psi (0.7 MPa, 7 bar) Maximum Working Pressure

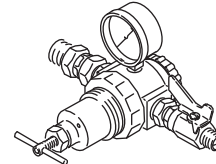
For air regulation and filtration.



Gun Air Regulator Kit 235042

100 psi (0.7 MPa, 7 bar) Working Pressure

To supply atomizing air to a spray gun from the pressure pot.



Nylon Fluid Supply Hose

300 psi (2.1 MPa, 21 bar) Maximum Working Pressure

3/8" ID; cpd 3/8 npsm(fbe) swivel; neoprene cover

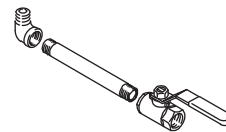
205160 15 ft (4.6 m) long

205142 25 ft (7.6 m) long

205143 50 ft (15.2 m) long

Bottom Outlet Kit 236677

For bottom outlet fluid feeding.



Standard Agitator Air Gearmotor Repair Kit 236675

For repair of worn air gear motors.

Heavy Duty Agitator

To convert from a standard agitator assembly to a heavy duty agitator assembly. Recommended for fluid viscosities over 800 cp.

236661 5-gallon tank size

236662 10-gallon tank size

236663 15-gallon tank size

C-clamp Replacement Kit 111381

To replace the pressure tank C-clamp assembly. The kit includes the T-handle, C-clamp, pin, and cotter pin.

Antistatic Polyethylene Tank Liners

Liners fit inside the tank. For ease of cleanup and maintenance.

15D059 5-gallon tank size (Quantity of 20)

15D060 10-gallon tank size (Quantity of 20)

15D061 15-gallon tank size (Quantity of 8)

Stainless Steel Agitator Paddle

186517

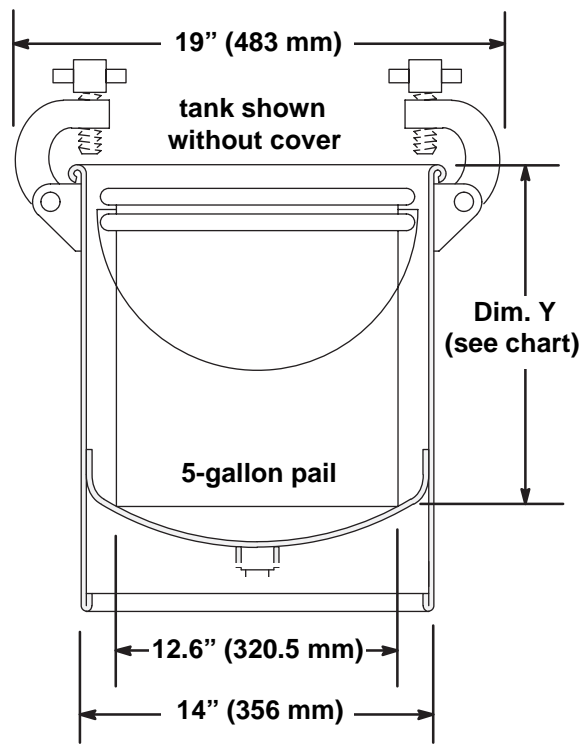
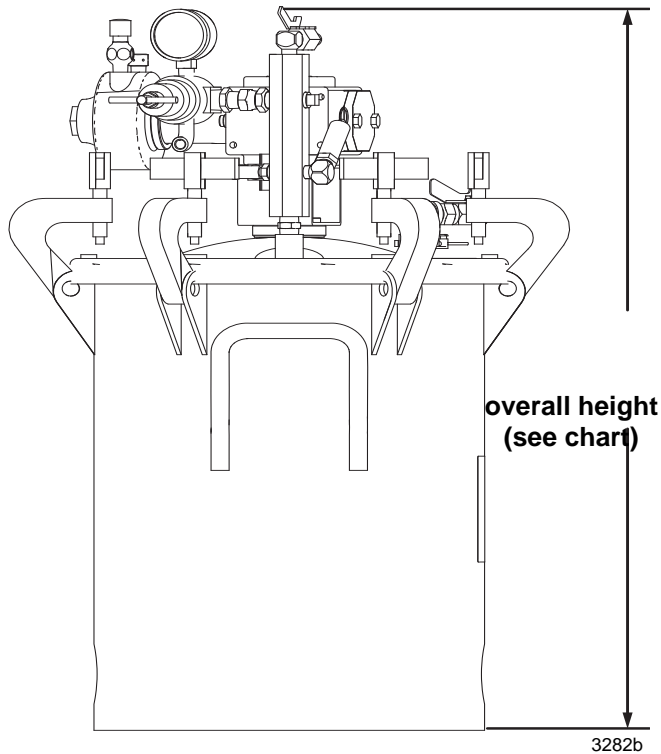
Material of 304 stainless steel welded construction.

Replaces plastic agitator paddle 236098.

PTFE Coated Gasket 117574

Optional replacement for standard 117571 gasket.

Dimensions



Size	Model	Overall Height	Net Weight	Paint Bucket Dim. Y
5 Gallon	236143	30.5" (775 mm)	65 lb (30 kg)	13.19" (335 mm)
	236149	30.5" (775 mm)	65 lb (30 kg)	
	236146	30.5" (775 mm)	86 lb (39 kg)	
	236152	30.5" (775 mm)	74 lb (34 kg)	
10 Gallon	236144	33.87" (860 mm)	76 lb (35 kg)	18.19" (462 mm)
	236150	33.87" (860 mm)	76 lb (35 kg)	
	236147	33.87" (860 mm)	97 lb (44 kg)	
	236153	33.87" (860 mm)	85 lb (39 kg)	
15 Gallon	236145	44.57" (1132 mm)	92 lb (42 kg)	28.94" (735 mm)
	236151	44.57" (1132 mm)	92 lb (42 kg)	
	236148	44.57" (1132 mm)	113 lb (51 kg)	
	236154	44.57" (1132 mm)	101 lb (46 kg)	

Technical Data

	US	Metric
Relief valve setting	100 psi	0.7 MPa, 7 bar
Standard agitator air consumption (continuous duty) at 60 rpm and 80 psi (0.5MPa, 5 bar) air supply pressure	15 cfm	0.42 m ³ /minute
Actual Tank Capacities		
5-gallon size	8.8 gallons	33 liters
10-gallon size	12.6 gallons	48 liters
15-gallon size	19.3 gallons	72 liters
Maximum working pressure		
Low pressure regulated tank	15 psi	0.1 MPa, 1 bar
High pressure regulated tank	100 psi	0.7 MPa, 7 bar
Inlet/Outlet Sizes		
Air inlet size	1/4-18 npt (m)	
Fluid outlet size	3/8-18npsm (m)	
Bottom outlet size	3/4-14 npt (f)	
Wetted Parts		
Models without agitator	304 & 316 stainless steel, Santoprene®, polyamide, and PET	
Models with agitator	304 & 316 stainless steel, Santoprene®, polyamide, PET, PTFE, and bronze	
Noise (dBa)		
Sound power level	92 dBa @ 100 psi (0.7 MPa, 7 bar)	
Sound pressure level	82 dBa @ 100 psi (0.7 MPa, 7 bar)	
Notes		
<i>Sound power measured per ISO-9614-2.</i>		
<i>Santoprene® is a registered trademark of the Monsanto Co.</i>		

Graco Standard Warranty

Graco warrants all equipment referenced in this document which is manufactured by Graco and bearing its name to be free from defects in material and workmanship on the date of sale to the original purchaser for use. With the exception of any special, extended, or limited warranty published by Graco, Graco will, for a period of twelve months from the date of sale, repair or replace any part of the equipment determined by Graco to be defective. This warranty applies only when the equipment is installed, operated and maintained in accordance with Graco's written recommendations.

This warranty does not cover, and Graco shall not be liable for general wear and tear, or any malfunction, damage or wear caused by faulty installation, misapplication, abrasion, corrosion, inadequate or improper maintenance, negligence, accident, tampering, or substitution of non-Graco component parts. Nor shall Graco be liable for malfunction, damage or wear caused by the incompatibility of Graco equipment with structures, accessories, equipment or materials not supplied by Graco, or the improper design, manufacture, installation, operation or maintenance of structures, accessories, equipment or materials not supplied by Graco.

This warranty is conditioned upon the prepaid return of the equipment claimed to be defective to an authorized Graco distributor for verification of the claimed defect. If the claimed defect is verified, Graco will repair or replace free of charge any defective parts. The equipment will be returned to the original purchaser transportation prepaid. If inspection of the equipment does not disclose any defect in material or workmanship, repairs will be made at a reasonable charge, which charges may include the costs of parts, labor, and transportation.

THIS WARRANTY IS EXCLUSIVE, AND IS IN LIEU OF ANY OTHER WARRANTIES, EXPRESS OR IMPLIED, INCLUDING BUT NOT LIMITED TO WARRANTY OF MERCHANTABILITY OR WARRANTY OF FITNESS FOR A PARTICULAR PURPOSE.

Graco's sole obligation and buyer's sole remedy for any breach of warranty shall be as set forth above. The buyer agrees that no other remedy (including, but not limited to, incidental or consequential damages for lost profits, lost sales, injury to person or property, or any other incidental or consequential loss) shall be available. Any action for breach of warranty must be brought within two (2) years of the date of sale.

GRACO MAKES NO WARRANTY, AND DISCLAIMS ALL IMPLIED WARRANTIES OF MERCHANTABILITY AND FITNESS FOR A PARTICULAR PURPOSE, IN CONNECTION WITH ACCESSORIES, EQUIPMENT, MATERIALS OR COMPONENTS SOLD BUT NOT MANUFACTURED BY GRACO. These items sold, but not manufactured by Graco (such as electric motors, switches, hose, etc.), are subject to the warranty, if any, of their manufacturer. Graco will provide purchaser with reasonable assistance in making any claim for breach of these warranties.

In no event will Graco be liable for indirect, incidental, special or consequential damages resulting from Graco supplying equipment hereunder, or the furnishing, performance, or use of any products or other goods sold hereto, whether due to a breach of contract, breach of warranty, the negligence of Graco, or otherwise.

FOR GRACO CANADA CUSTOMERS

The Parties acknowledge that they have required that the present document, as well as all documents, notices and legal proceedings entered into, given or instituted pursuant hereto or relating directly or indirectly hereto, be drawn up in English. Les parties reconnaissent avoir convenu que la rédaction du présente document sera en Anglais, ainsi que tous documents, avis et procédures judiciaires exécutés, donnés ou intentés, à la suite de ou en rapport, directement ou indirectement, avec les procédures concernées.

Graco Information

For the latest information about Graco products, visit www.graco.com.

For patent information, see www.graco.com/patents.

TO PLACE AN ORDER, contact your Graco distributor or call to identify the nearest distributor.

Phone: 612-623-6921 **or Toll Free:** 1-800-328-0211 **Fax:** 612-378-3505

All written and visual data contained in this document reflects the latest product information available at the time of publication. Graco reserves the right to make changes at any time without notice.

Original instructions. This manual contains English. MM 308369

Graco Headquarters: Minneapolis

International Offices: Belgium, China, Japan, Korea

GRACO INC. AND SUBSIDIARIES • P.O. BOX 1441 • MINNEAPOLIS MN 55440-1441 • USA

Copyright 1994, Graco Inc. All Graco manufacturing locations are registered to ISO 9001.

www.graco.com

Revision V, May 2019