

Bulk Grease Transfer Packages

309350B
ENG

For side pocket and horizontally mounting bulk grease transfer packages.



Important Safety Instructions

Read all warnings and instructions in this manual.
Save these instructions.

Model No. 244644, 50:1 Fireball 300 Side Pocket Mount

100 psi (0.7 MPa, 7 bar) Maximum Air Working Pressure
5000 psi (34.5 MPa, 345 bar) Maximum Fluid Working Pressure

Model No. 244645, 50:1 Fireball 300 Horizontal Mount

100 psi (0.7 MPa, 7 bar) Maximum Air Working Pressure
5000 psi (34.5 MPa, 345 bar) Maximum Fluid Working Pressure

Model No. 244646, 50:1 Fireball 425 Side Pocket Mount

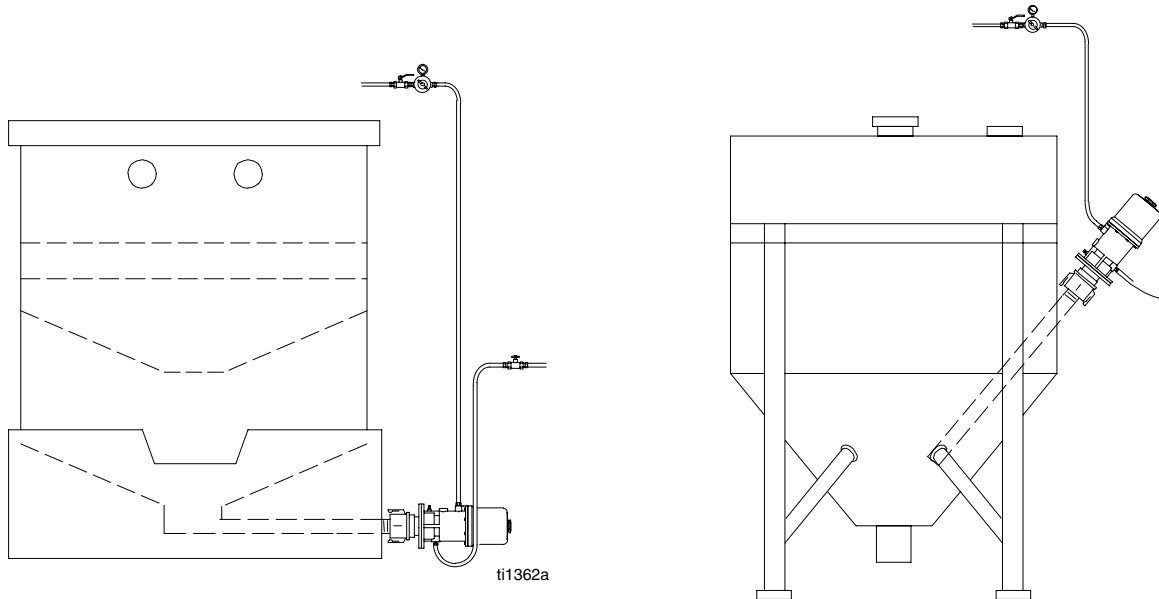
80 psi (0.55 MPa, 5.5 bar) Maximum Air Working Pressure
4000 psi (27.6 MPa, 276 bar) Maximum Fluid Working Pressure

Model No. 244647, 75:1 Fireball 425 Side Pocket Mount

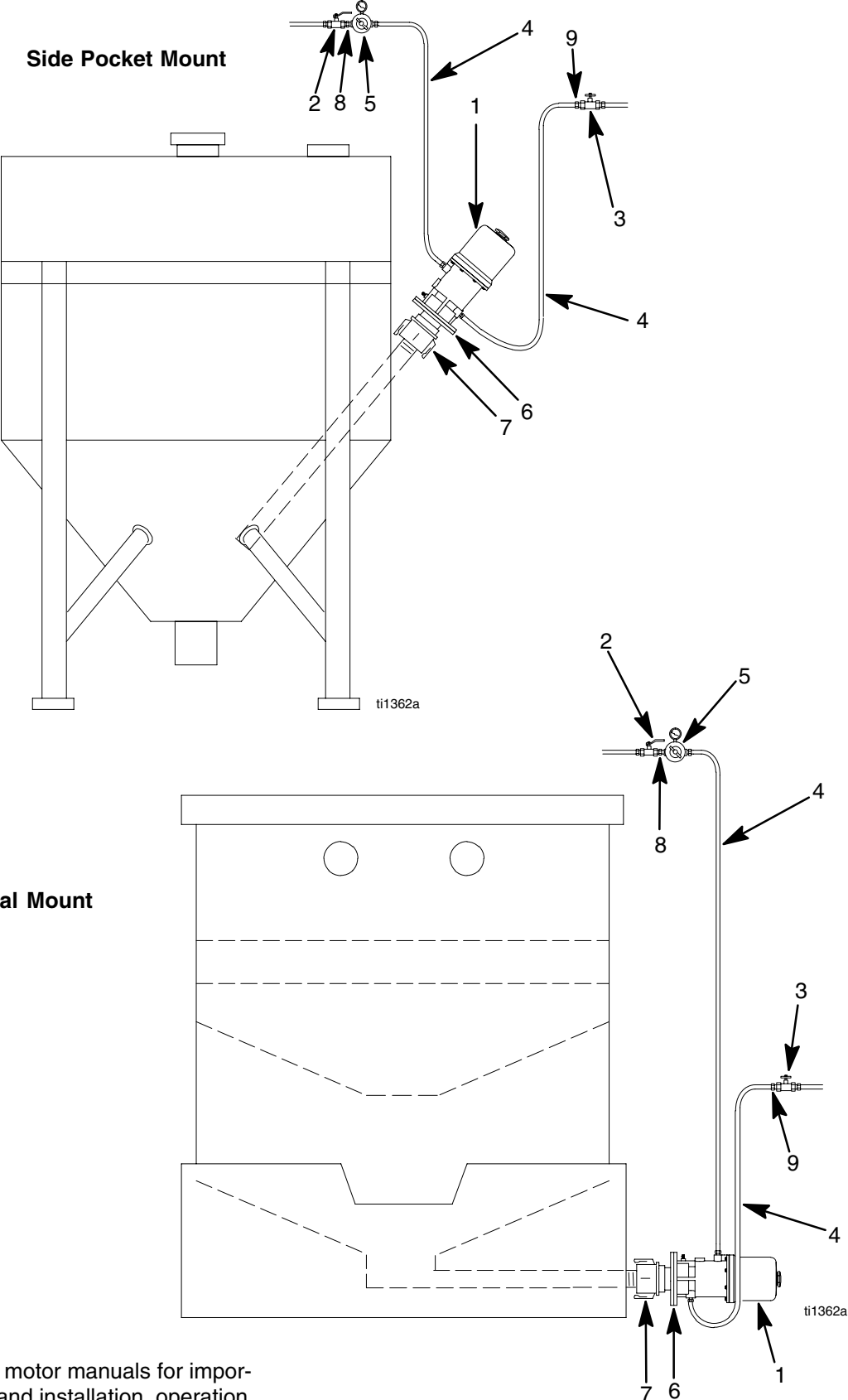
53 psi (0.37 MPa, 3.7 bar) Maximum Air Working Pressure
4000 psi (27.6 MPa, 276 bar) Maximum Fluid Working Pressure

Model No. 244648, 75:1 Fireball 425 Horizontal Mount

53 psi (0.37 MPa, 3.7 bar) Maximum Air Working Pressure
4000 psi (27.6 MPa, 276 bar) Maximum Fluid Working Pressure



Installation



NOTE: See pump and motor manuals for important **safety warnings** and installation, operation, and service instructions.

Parts List

Model No. 244644, 50:1 Fireball 300 Side Pocket Mount

(includes items 1–9)

Model No. 244645, 50:1 Fireball 300 Horizontal Mount

(includes items 1–9)

Model No. 244646, 50:1 Fireball 425 Side Pocket Mount

(includes items 1–9)

Model No. 244647, 75:1 Fireball 425 Side Pocket Mount

(includes items 1–9)

Model No. 244648, 75:1 Fireball 425 Horizontal Mount

(includes items 1–9)

Ref. No.	Part No.	Description	Qty.	Ref. No.	Part No.	Description	Qty.
1	239888	PUMP, 50:1 Fireball 300 (used on model 244644; see manual 308883)	1	5	109075	REGULATOR, air; 3/8 in. npt(fbe) (includes gauge; used on models 244644 and 244645; see manual 308167)	1
	239877	PUMP, 50:1 Fireball 300 (used on model 244645; see manual 308883)	1		244844	REGULATOR, air; 1/2 in. npt(fbe) (includes gauge; used on models 244646, 244647, and 244648; see manual 308167)	1
	205395	PUMP, 50:1 Fireball 425 (used on model 244646; see manuals 306674 and 306982)	1	6	948393	ADAPTER, flange (used on models 244644 and 244645)	1
	239730	PUMP, 75:1 Fireball 425 (used on model 244647; see manuals 308777 and 306982)	1		948392	ADAPTER, flange (used on models 244646, 244647, and 244648)	1
	239731	PUMP, 75:1 Fireball 425 (used on model 244648; see manuals 308777 and 306982)	1	7	512874	COUPLER; 3 in. npt(f)	1
2	110224	VALVE, air shutoff; 3/8 in. npt(fbe) (used on models 244644 and 244645)	1	8	156849	NIPPLE; 3/8 in. npt (used on models 244644 and 244645)	1
	110225	VALVE, air shutoff; 1/2 in. npt(fbe) (used on models 244646, 244647, and 244648)	1		158491	NIPPLE; 1/2 in. npt (used on models 244646, 244647, and 244648)	1
3	202869	VALVE, fluid shutoff; 1/2 in. npt (fbe)	1	9	100206	BUSHING; 1/2 in. npt(m) x 1/4 in. npt(f) (used on models 244644 and 244645)	1
4	222072	KIT, hose and fitting (used on models 244644 and 244645; see manual 307880)	1		100081	BUSHING; 1/2 in. npt(m) x 3/8 in. npt(f) (used on models 244646, 244647, and 244648)	1
	222076	KIT, hose and fitting (used on models 244646, 244647, and 244648; see manual 307880)	1				

Technical Data

See the cover for system maximum air and fluid working pressure ratings. See the separate pump and motor instruction manuals (supplied) for pump and motor Technical Data.

Graco Standard Warranty

Graco warrants all equipment manufactured by Graco and bearing its name to be free from defects in material and workmanship on the date of sale by an authorized Graco distributor to the original purchaser for use. With the exception of any special, extended, or limited warranty published by Graco, Graco will, for a period of twelve months from the date of sale, repair or replace any part of the equipment determined by Graco to be defective. This warranty applies only when the equipment is installed, operated and maintained in accordance with Graco's written recommendations.

This warranty does not cover, and Graco shall not be liable for general wear and tear, or any malfunction, damage or wear caused by faulty installation, misapplication, abrasion, corrosion, inadequate or improper maintenance, negligence, accident, tampering, or substitution of non-Graco component parts. Nor shall Graco be liable for malfunction, damage or wear caused by the incompatibility of Graco equipment with structures, accessories, equipment or materials not supplied by Graco, or the improper design, manufacture, installation, operation or maintenance of structures, accessories, equipment or materials not supplied by Graco.

This warranty is conditioned upon the prepaid return of the equipment claimed to be defective to an authorized Graco distributor for verification of the claimed defect. If the claimed defect is verified, Graco will repair or replace free of charge any defective parts. The equipment will be returned to the original purchaser transportation prepaid. If inspection of the equipment does not disclose any defect in material or workmanship, repairs will be made at a reasonable charge, which charges may include the costs of parts, labor, and transportation.

THIS WARRANTY IS EXCLUSIVE, AND IS IN LIEU OF ANY OTHER WARRANTIES, EXPRESS OR IMPLIED, INCLUDING BUT NOT LIMITED TO WARRANTY OF MERCHANTABILITY OR WARRANTY OF FITNESS FOR A PARTICULAR PURPOSE.

Graco's sole obligation and buyer's sole remedy for any breach of warranty shall be as set forth above. The buyer agrees that no other remedy (including, but not limited to, incidental or consequential damages for lost profits, lost sales, injury to person or property, or any other incidental or consequential loss) shall be available. Any action for breach of warranty must be brought within two (2) years of the date of sale.

Graco makes no warranty, and disclaims all implied warranties of merchantability and fitness for a particular purpose in connection with accessories, equipment, materials or components sold but not manufactured by Graco. These items sold, but not manufactured by Graco (such as electric motors, switches, hose, etc.), are subject to the warranty, if any, of their manufacturer. Graco will provide purchaser with reasonable assistance in making any claim for breach of these warranties.

In no event will Graco be liable for indirect, incidental, special or consequential damages resulting from Graco supplying equipment hereunder, or the furnishing, performance, or use of any products or other goods sold hereto, whether due to a breach of contract, breach of warranty, the negligence of Graco, or otherwise.

FOR GRACO CANADA CUSTOMERS

The parties acknowledge that they have required that the present document, as well as all documents, notices and legal proceedings entered into, given or instituted pursuant hereto or relating directly or indirectly hereto, be drawn up in English. Les parties reconnaissent avoir convenu que la rédaction du présente document sera en Anglais, ainsi que tous documents, avis et procédures judiciaires exécutés, donnés ou intentés à la suite de ou en rapport, directement ou indirectement, avec les procédures concernées.

Graco Information

For the latest information about Graco products, visit www.graco.com.

TO PLACE AN ORDER, contact your Graco distributor or call to identify the distributor closest to you:

Phone: 612-623-6928 or **Toll Free:** 1-800-533-9655 **Fax:** 612-378-3590

All written and visual data contained in this document reflects the latest product information available at the time of publication. Graco reserves the right to make changes at any time without notice.

Original instructions. This manual contains English. MM 309350

Graco Headquarters: Minneapolis
International Offices: Belgium, China, Japan, Korea

GRACO INC. P.O. BOX 1441 MINNEAPOLIS, MN 55440-1441

Copyright 2001, Graco Inc. is registered to ISO 9001

www.graco.com

Revised 06/2010