

High-Flo[®]

Pump Repair and Conversion Kits

311591D

ENG

**Important Safety Instructions**

Read all warnings and instructions in your High-Flo Pump manual 311211.
Save these instructions.

Pump Seal Kits**Pump Seal Repair Kit 277360****Pump PTFE Seal Conversion Kit 277361**

4:1 Ratio NXT Pump Models: Jx40xx; Viscount 1+ Models: 253642, 253644, 253646, 253648, 253650, 253652, 253654

Part No.	Description	Qty
181877	GASKET, seat, valve	4
108526	PACKING, o-ring	6
183094	GASKET, cylinder	2
15G886	PACKING, piston, 3 in., uhmwpe	1
15H467	PACKING, piston, 3 in., ptfе	1

Pump Seal Repair Kit 277362**Pump PTFE Seal Conversion Kit 277363**

3:1 and 4.5:1 Ratio NXT Pump Models: Jx30xx, Jx45xx; Viscount 1+ Models: 253643, 253645, 253647, 253649, 253651, 253653, 253655

Part No.	Description	Qty
181877	GASKET, seat, valve	4
108526	PACKING, o-ring	6
181876	GASKET, cylinder	2
15G887	PACKING, piston, 3.5 in., uhmwpe	1
15H468	PACKING, piston, 3.5 in., ptfе	1

Pump Seal Repair Kit 277358**Pump PTFE Seal Conversion Kit 277359**

2:1 and 3.5:1 Ratio NXT Pump Models: Jx20xx, Jx35xx; Viscount II 460 Models: 247355, 247356, 247357, 247358, 247359, 247360, 247361

Part No.	Description	Qty
181877	GASKET, seat, valve	4
108526	PACKING, o-ring	6
15G881	SEAL, gasket, cylinder	2
15G888	PACKING, piston, 4 in., uhmwpe	1
15H469	PACKING, piston, 4 in., ptfе	1

Throat Packing Kits**Leather and UHMWPE Throat Packing Kit 277357 (for all pumps listed on this page)**

Part No.	Description	Qty
192264	GLAND, female	1
183295	PACKING, vee, uhmwpe	5
120238	PACKING, vee, leather	3
192263	GLAND, male	2
107313	PACKING, o-ring	1

PTFE Throat Packing Kit 239866 (for all pumps listed on this page)

Part No.	Description	Qty
192264	GLAND, female	1
183352	PACKING, vee, ptfе	8
192263	GLAND, male	2
107313	PACKING, o-ring	1

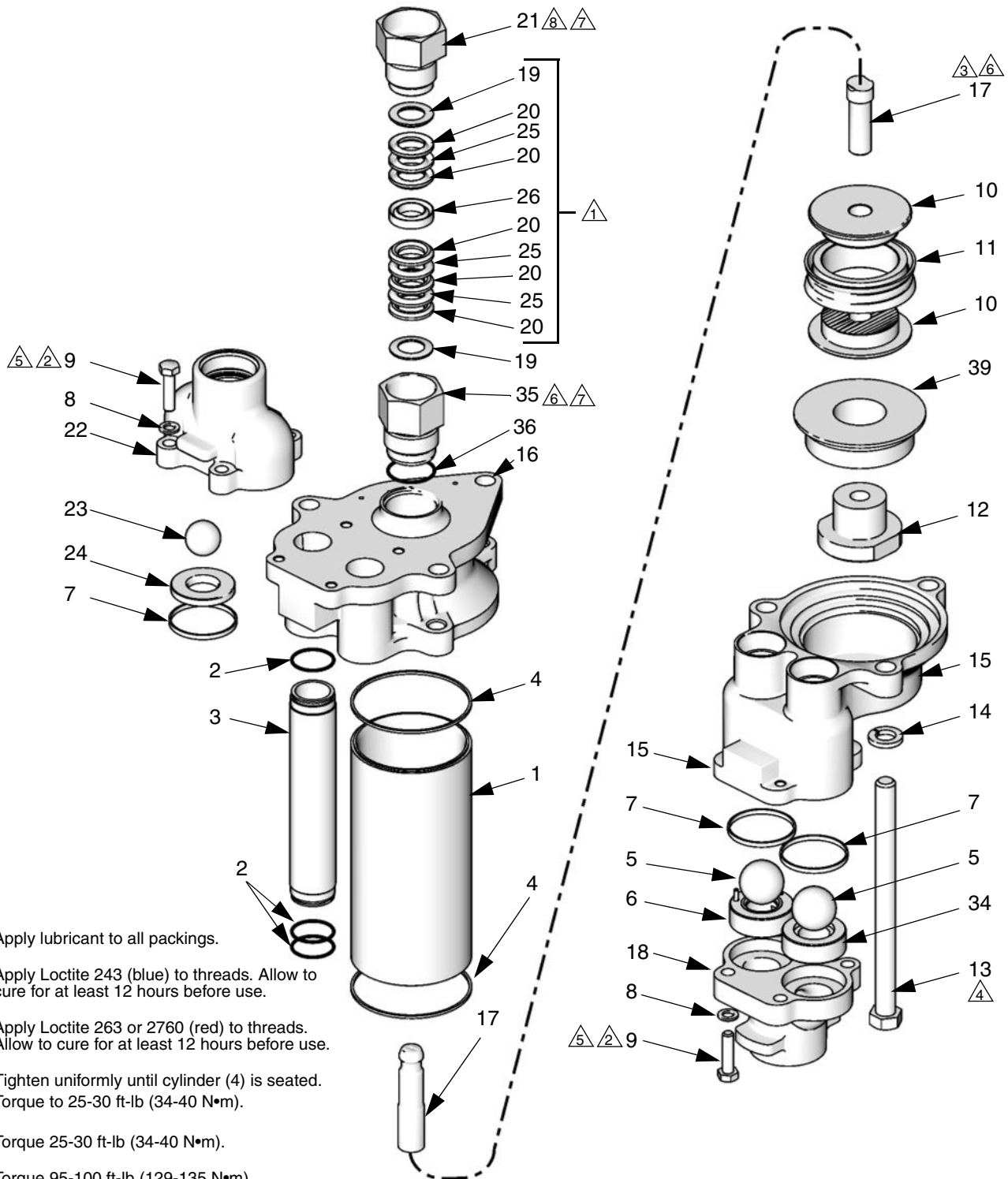
Leather Throat Packing Kit 277356 (for all pumps listed on this page)

Part No.	Description	Qty
192264	GLAND, female	1
120238	PACKING, vee, leather	8
192263	GLAND, male	2
107313	PACKING, o-ring	1

UHMWPE and PTFE Throat Packing Kit 24C405 (for all pumps listed on this page)

Part No.	Description	Qty
192264	GLAND, female	1
183295	PACKING, vee, uhmwpe	5
183352	PACKING, vee, ptfе	3
192263	GLAND, male	2
107313	PACKING, o-ring	1

Parts



- Apply lubricant to all packings.
- Apply Loctite 243 (blue) to threads. Allow to cure for at least 12 hours before use.
- Apply Loctite 263 or 2760 (red) to threads. Allow to cure for at least 12 hours before use.
- Tighten uniformly until cylinder (4) is seated. Torque to 25-30 ft-lb (34-40 N•m).
- Torque 25-30 ft-lb (34-40 N•m).
- Torque 95-100 ft-lb (129-135 N•m).
- Apply thread lubricant.
- Torque to 30 ft-lb (40 N•m), then back off and retighten to 15-20 ft-lb (20-27 N•m).

TI7668b

Parts

Ref.	Description	Qty	Ref.	Description	Qty
1	CYLINDER, pump, sst	1	16	HOUSING, outlet; sst	1
2*	PACKING, o-ring; PTFE	6	17	ROD, piston; sst	1
3	TUBE, fluid; sst	2	18	MANIFOLD, inlet; sst	1
4*	GASKET, cylinder; UMWPE	2	19†	GLAND, male; sst	2
5	BALL, intake; 1.25 in. dia; sst	2	20†	V-PACKING, throat; UHMWPE	5
6	SEAT, intake valve, with relief valve; sst	1	21	NUT, packing; sst	1
7*	GASKET, seat, valve; UHMWPE	4	22	MANIFOLD, outlet; sst	1
8	WASHER, flat; 8.4 mm; sst	8	23	BALL, outlet; 1 in. (25 mm) dia.; sst	2
9	CAPSCREW, hex hd; M8 x 1.25 x 25; sst	8	24	SEAT, valve; sst	2
10	PISTON; 3 in.; sst	2	25†	V-PACKING, throat; leather	3
11*	PACKING, piston; 3 in.; UMWPE	1	26†	GLAND, female; sst	1
12	NUT, piston; hex hd; sst	1	34	SEAT, intake valve; sst	1
13	CAPSCREW, hex hd; 9/16-12 unc x 7.5 in.; sst	3	35	ADAPTER; sst	1
14	LOCKWASHER, spring; 9/16 in.; sst	3	36†	PACKING, o-ring; PTFE	1
15	HOUSING, inlet; sst	1	37▲	TAG, warning (not shown)	1
			39	SPACER	1

▲ Replacement Danger and Warning labels, tags, and cards are available at no cost.

* Parts included in Seal Repair Kit (purchase separately).

† Parts included in Throat Packing Repair Kit (purchase separately).

*All written and visual data contained in this document reflects the latest product information available at the time of publication.
Graco reserves the right to make changes at any time without notice.*

Original instructions. This manual contains English. MM 311591

Graco Headquarters: Minneapolis

International Offices: Belgium, China, Japan, Korea

GRACO INC. P.O. BOX 1441 MINNEAPOLIS, MN 55440-1441

Copyright 2006, Graco Inc. is registered to ISO 9001

www.graco.com
Revised 05/2011