

Dura-Flo™ Pumps

311828J

EN

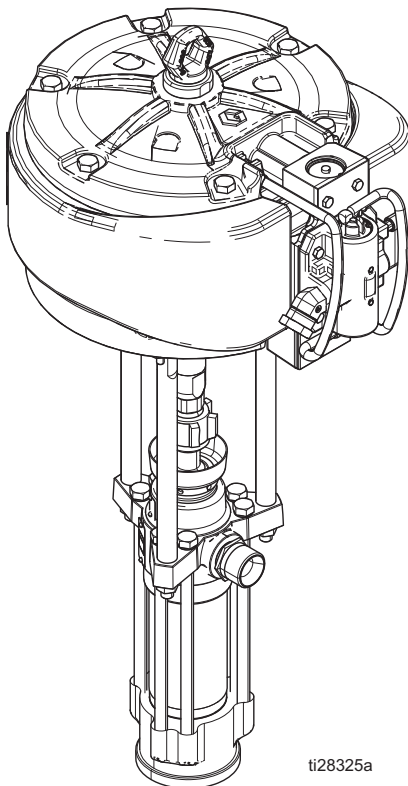
Stainless Steel Pumps with Severe-Duty Rod and Cylinder. For professional use only.



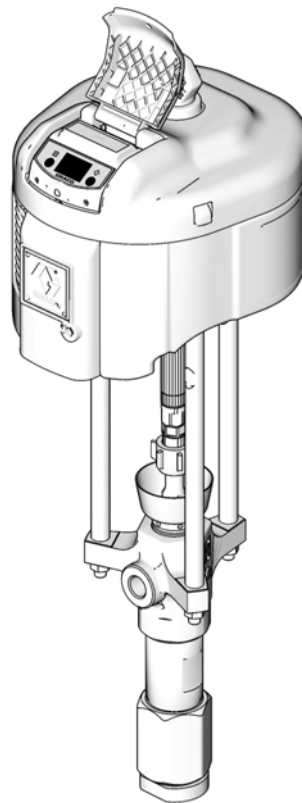
Important Safety Instructions

Read all warnings and instructions in this manual.
Save these instructions.

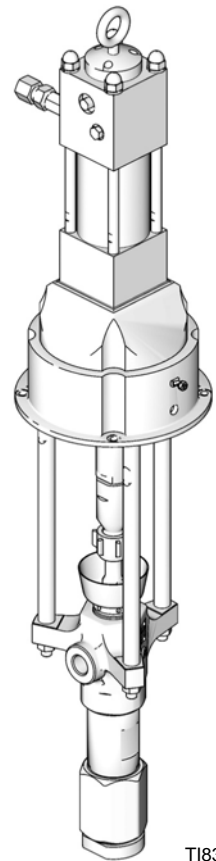
See pages 3-6 for model information, including maximum working pressure.



ti28325a



T18357a



T18358a



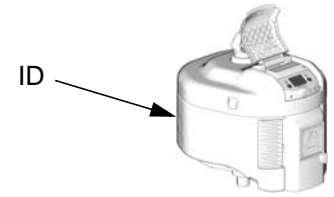
Contents

Models	3	Maintenance	15
Dura-Flo Pumps with NXT™ Air Motors Part No. Matrix	3	Preventive Maintenance Schedule	15
Dura-Flo Pumps with NXT™ Air Motors Part Nos.	3	Wet-Cups	15
Dura-Flo Pumps with Viscount® Hydraulic Motors	6	Flushing	15
Dura-Flo Pumps with Xtreme® XL Air Motors ...	6	Corrosion Protection	15
Warnings	7	Hydraulic Systems	15
Installation	9	Troubleshooting	16
Grounding	9	Repair	17
Flush Before Using Equipment	9	Required Tools	17
Mounting Accessories	9	Disconnect the Lower	17
Hoses	9	Reconnect the Lower	17
Air Line Accessories	10	Parts	20
Hydraulic Line Accessories	10	Dura-Flo Pumps with NXT Air Motors	20
Fluid Line Accessories	10	Dura-Flo Pumps with Viscount Hydraulic Motors	22
Operation	13	Dura-Flo Pumps with Xtreme XL Motors	23
Pressure Relief Procedure	13	Dimensions	24
Trigger Lock	13	Mounting Hole Layouts	25
Startup	14	Technical Data	27
Shutdown	14	Graco Standard Warranty	34
		Graco Information	34

Models

Dura-Flo Pumps with NXT™ Air Motors Part No. Matrix

Check your pump's identification plate (ID) for the 6-digit part number of your pump. Use the following matrix to define the construction of your pump, based on the six digits. For example, Pump Part No. **P 1 6 M S E** represents the pump (**P**), pressure ratio (**1 6** :1), low noise exhaust motor with DataTrak™ (**M**), stainless steel construction (**S**), and 4 leather/1 ptfе packing configuration (**E**). To order replacement parts, see **Parts** section starting on page 20. The digits in the matrix do not correspond to the Ref. Nos. in the Parts drawings and lists.



P	1 6	M			S		E	
First Digit	Second and Third Digit	Fourth Digit			Fifth Digit		Sixth Digit	
	Pressure Ratio (xx:1)	Exhaust	Communication		Material		Packings	
P (pumps)	16	C	Low Noise	Remote DataTrak	S	Stainless Steel	E	4 leather/1 ptfе
	21	D	De-icing	none			H	ptfе/leather
	24	E	De-icing	DataTrak			S	Severe Duty®
	25	L	Low Noise	none				
	30	M	Low Noise	DataTrak				
	31	H	Low Noise	High Level Sensor				
	40							
	45							
	46							
57								

Dura-Flo Pumps with NXT™ Air Motors Part Nos.

Pump Part No., Series	Lower Part No.	Lower Model, Packings	Air Motor Part No.	Ratio	Maximum Working Pressure MPa, bar (psi)	Maximum Air Input Pressure MPa, bar (psi)
P16DSE, A	247192	Dura-Flo 1200 (290 cc), 4 leather/1 PTFE	N22DN0	16:1	10.5, 105 (1520)	0.7, 7.0 (100)
P16ESE, A	247192	Dura-Flo 1200 (290 cc), 4 leather/1 PTFE	N22DT0	16:1	10.5, 105 (1520)	0.7, 7.0 (100)
P16LSE, A	247192	Dura-Flo 1200 (290 cc), 4 leather/1 PTFE	N22LN0	16:1	10.5, 105 (1520)	0.7, 7.0 (100)
P16MSE, A	247192	Dura-Flo 1200 (290 cc), 4 leather/1 PTFE	N22LT0	16:1	10.5, 105 (1520)	0.7, 7.0 (100)

Dura-Flo Pumps with NXT™ Air Motors Part Nos. (continued)

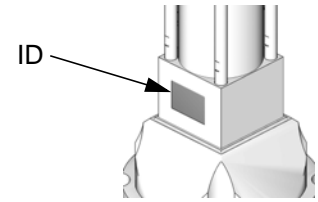
Pump Part No., Series	Lower Part No.	Lower Model, Packings	Air Motor Part No.	Ratio	Maximum Working Pressure MPa, bar (psi)	Maximum Air Input Pressure MPa, bar (psi)
P21DSE, A	247190	Dura-Flo 900 (220 cc), 4 leather/1 PTFE	N22DN0	21:1	14.0, 140 (2030)	0.7, 7.0 (100)
P21ESE, A	247190	Dura-Flo 900 (220 cc), 4 leather/1 PTFE	N22DT0	21:1	14.0, 140 (2030)	0.7, 7.0 (100)
P21LSE, A	247190	Dura-Flo 900 (220 cc), 4 leather/1 PTFE	N22LN0	21:1	14.0, 140 (2030)	0.7, 7.0 (100)
P21LSS, A	L22BSS	Dura-Flo 900 (220 cc), 2 PTFE/3 UHMWP	N22LN0	21:1	14.0, 140 (2030)	0.7, 7.0 (100)
P21MSE, A	247190	Dura-Flo 900 (220 cc), 4 leather/1 PTFE	N22LT0	21:1	14.0, 140 (2030)	0.7, 7.0 (100)
P21CSS, A	L22BSS	Dura-Flo 900 (220 cc), 2 PTFE/3 UHMWP	N22LR0	21:1	14.0, 140 (2030)	0.7, 7.0 (100)
P24DSE, A	261657	Dura-Flo 750 (180 cc), 4 leather/1 PTFE	N22DNO	24:1	16.8, 168 (2430)	0.7, 7.0 (100)
P24ESE, A	261657	Dura-Flo 750 (180 cc), 4 leather/1 PTFE	N22DTO	24:1	16.8, 168 (2430)	0.7, 7.0 (100)
P24LSE, A	261657	Dura-Flo 750 (180 cc), 4 leather/1 PTFE	N22LNO	24:1	16.8, 168 (2430)	0.7, 7.0 (100)
P24MSE, A	261657	Dura-Flo 750 (180 cc), 4 leather/1 PTFE	N22LTO	24:1	16.8, 168 (2430)	0.7, 7.0 (100)
P25DSE, A	237514	Dura-Flo 1200 (290 cc), 4 leather/1 PTFE	N34DN0	25:1	16.4, 164 (2380)	0.7, 7.0 (100)
P25ESE, A	237514	Dura-Flo 1200 (290 cc), 4 leather/1 PTFE	N34DT0	25:1	16.4, 164 (2380)	0.7, 7.0 (100)
P25LSE, A	237514	Dura-Flo 1200 (290 cc), 4 leather/1 PTFE	N34LN0	25:1	16.4, 164 (2380)	0.7, 7.0 (100)
P25MSE, A	237514	Dura-Flo 1200 (290 cc), 4 leather/1 PTFE	N34LTO	25:1	16.4, 164 (2380)	0.7, 7.0 (100)
P30DSE, A	236470	Dura-Flo 900 (220 cc), 4 leather/1 PTFE	N34DN0	30:1	21.9, 219 (3170)	0.7, 7.0 (100)
P30CSS, A	L220SS	Dura-Flo 900 (220 cc), 2 PTFE/3 UHMWP	N34LR0	30:1	21.9, 219 (3170)	0.7, 7.0 (100)
P30ESE, A	236470	Dura-Flo 900 (220 cc), 4 leather/1 PTFE	N34DT0	30:1	21.9, 219 (3170)	0.7, 7.0 (100)
P30LSS, A	L220SS	Dura-Flo 900 (220 cc), 2 PTFE/3 UHMWP	N34LN0	30:1	21.9, 219 (3170)	0.7, 7.0 (100)
P30LSE, A	236470	Dura-Flo 900 (220 cc), 4 leather/1 PTFE	N34LN0	30:1	21.9, 219 (3170)	0.7, 7.0 (100)
P30MSE, A	236470	Dura-Flo 900 (220 cc), 4 leather/1 PTFE	N34LTO	30:1	21.9, 219 (3170)	0.7, 7.0 (100)
P31DSH, A	247168	Dura-Flo 600 (145 cc), PTFE/leather	N22DN0	31:1	21.0, 210 (3040)	0.7, 7.0 (100)
P31CSS, A	L14BSS	Dura-Flo 600 (145 cc), 2 PTFE/3 UHMWP	N22LR0	31:1	21.0, 210 (3040)	0.7, 7.0 (100)
P31ESH, A	247168	Dura-Flo 600 (145 cc), PTFE/leather	N22DT0	31:1	21.0, 210 (3040)	0.7, 7.0 (100)

Dura-Flo Pumps with NXT™ Air Motors Part Nos. (continued)

Pump Part No., Series	Lower Part No.	Lower Model, Packings	Air Motor Part No.	Ratio	Maximum Working Pressure MPa, bar (psi)	Maximum Air Input Pressure MPa, bar (psi)
P31LSS, A	L14BSS	Dura-Flo 600 (145 cc), 2 PTFE/3 UHMWP	N22LN0	31:1	21.0, 210 (3040)	0.7, 7.0 (100)
P31LSH, A	247168	Dura-Flo 600 (145 cc), PTFE/leather	N22LN0	31:1	21.0, 210 (3040)	0.7, 7.0 (100)
P31MSH, A	247168	Dura-Flo 600 (145 cc), PTFE/leather	N22LT0	31:1	21.0, 210 (3040)	0.7, 7.0 (100)
P40DSE, A	236456	Dura-Flo 750 (180 cc), 4 leather/1 PTFE	N34DN0	40:1	26.2, 262 (3800)	0.7, 7.0 (100)
P40ESE, A	236456	Dura-Flo 750 (180 cc), 4 leather/1 PTFE	N34DT0	40:1	26.2, 262 (3800)	0.7, 7.0 (100)
P40LSE, A	236456	Dura-Flo 750 (180 cc), 4 leather/1 PTFE	N34LN0	40:1	26.2, 262 (3800)	0.7, 7.0 (100)
P40MSE, A	236456	Dura-Flo 750 (180 cc), 4 leather/1 PTFE	N34LT0	40:1	26.2, 262 (3800)	0.7, 7.0 (100)
P45DSE, A	237514	Dura-Flo 1200 (290 cc), 4 leather/1 PTFE	N65DN0	45:1	31.4, 314 (4550)	0.7, 7.0 (100)
P45ESE, A	237514	Dura-Flo 1200 (290 cc), 4 leather/1 PTFE	N65DT0	45:1	31.4, 314 (4550)	0.7, 7.0 (100)
P45LSE, A	237514	Dura-Flo 1200 (290 cc), 4 leather/1 PTFE	N65LN0	45:1	31.4, 314 (4550)	0.7, 7.0 (100)
P45MSE, A	237514	Dura-Flo 1200 (290 cc), 4 leather/1 PTFE	N65LT0	45:1	31.4, 314 (4550)	0.7, 7.0 (100)
P45LSS, A	L290SS	Dura-Flo 1200 (290 cc), 2 PTFE/3 UHMWP	N65LN0	45:1	31.4, 314 (4550)	0.7, 7.0 (100)
P45CSS, A	L290SS	Dura-Flo 1200 (290 cc), 2 PTFE/3 UHMWP	N65LR0	45:1	31.4, 314 (4550)	0.7, 7.0 (100)
P46DSH, A	236458	Dura-Flo 600 (145 cc), PTFE/leather	N34DN0	46:1	32.8, 328 (4750)	0.7, 7.0 (100)
P46HSS, A	L145SS	Dura-Flo 600 (145 cc), 2 PTFE/3 UHMWP	N34LH0	46:1	32.8, 328 (4750)	0.7, 7.0 (100)
P46ESH, A	236458	Dura-Flo 600 (145 cc), PTFE/leather	N34DT0	46:1	32.8, 328 (4750)	0.7, 7.0 (100)
P46LSS	L145SS	Dura-Flo 600 (145 cc), 2 PTFE/3 UHMWP	N34LN0	46:1	32.8, 328 (4750)	0.7, 7.0 (100)
P46LSH, A	236458	Dura-Flo 600 (145 cc), PTFE/leather	N34LN0	46:1	32.8, 328 (4750)	0.7, 7.0 (100)
P46MSH, A	236458	Dura-Flo 600 (145 cc), PTFE/leather	N34LT0	46:1	32.8, 328 (4750)	0.7, 7.0 (100)
P57LSS	L220SS	Dura-Flo 900 (220 cc), 2 PTFE/3 UHMWP	N65LN0	57:1	38.7, 388 (5700)	0.7, 7.0 (100)

Dura-Flo Pumps with Viscount[®] Hydraulic Motors

Check your pump's identification plate (ID) for the 6-digit part number of your pump. To order replacement parts, see **Parts** section starting on page 20.



Pump Part No., Series	Lower Part No.	Lower Model, Packings	Hydraulic Motor Part No.	Ratio	Maximum Working Pressure MPa, bar (psi)	Maximum Hydraulic Input Pressure MPa, bar (psi)
237290, A	236470	Dura-Flo 900 (220 cc), 4 leather/1 PTFE	235345	3.5:1	34, 345 (5000)	9.9, 99 (1428)
248817, A	248816	Dura-Flo 900 (220 cc), UHMWPE (throat)/ PTFE (piston)	235345	3.5:1	34, 345 (5000)	9.9, 99 (1428)





Dura-Flo Pumps with Xtreme[®] XL Air Motors

To order replacement parts, see **Parts** section starting on page 20.




Pump Part No., Series	Lower Part No.	Lower Model, Packings	Air Motor Part No.	Ratio	Maximum Working Pressure MPa, bar (psi)	Maximum Air Input Pressure MPa, bar (psi)
P71LSS	L290SS	Dura-Flo 1200 (290 cc), 2 PTFE/3 UHMWP	24X856	71:1	34, 345 (5000)	0.48, 4.8 (70)

Warnings

The following warnings are for the setup, use, grounding, maintenance, and repair of this equipment. The exclamation point symbol alerts you to a general warning and the hazard symbol refers to procedure-specific risk. Refer back to these warnings. Additional, product-specific warnings may be found throughout the body of this manual where applicable.

 <h2 style="margin: 0;">WARNING</h2>	
	<p>FIRE AND EXPLOSION HAZARD</p> <p>Flammable fumes, such as solvent and paint fumes, in work area can ignite or explode. To help prevent fire and explosion:</p> <ul style="list-style-type: none"> • Use equipment only in well ventilated area. • Eliminate all ignition sources; such as pilot lights, cigarettes, portable electric lamps, and plastic drop cloths (potential static arc). • Keep work area free of debris, including solvent, rags and gasoline. • Do not plug or unplug power cords, or turn power or light switches on or off when flammable fumes are present. • Ground all equipment in the work area. See Grounding instructions. • Use only grounded hoses. • Hold gun firmly to side of grounded pail when triggering into pail. • If there is static sparking or you feel a shock, stop operation immediately. Do not use equipment until you identify and correct the problem. • Keep a working fire extinguisher in the work area.
	<p>SKIN INJECTION HAZARD</p> <p>High-pressure fluid from gun, hose leaks, or ruptured components will pierce skin. This may look like just a cut, but it is a serious injury that can result in amputation. Get immediate surgical treatment.</p> <ul style="list-style-type: none"> • Do not point gun at anyone or at any part of the body. • Do not put your hand over the spray tip. • Do not stop or deflect leaks with your hand, body, glove, or rag. • Do not spray without tip guard and trigger guard installed. • Engage trigger lock when not spraying. • Follow Pressure Relief Procedure in this manual, when you stop spraying and before cleaning, checking, or servicing equipment.
	<p>EQUIPMENT MISUSE HAZARD</p> <p>Misuse can cause death or serious injury.</p> <ul style="list-style-type: none"> • Do not operate the unit when fatigued or under the influence of drugs or alcohol. • Do not exceed the maximum working pressure or temperature rating of the lowest rated system component. See Technical Data in all equipment manuals. • Use fluids and solvents that are compatible with equipment wetted parts. See Technical Data in all equipment manuals. Read fluid and solvent manufacturer's warnings. For complete information about your material, request MSDS forms from distributor or retailer. • Check equipment daily. Repair or replace worn or damaged parts immediately with genuine manufacturer's replacement parts only. • Do not alter or modify equipment. • Use equipment only for its intended purpose. Call your distributor for information. • Route hoses and cables away from traffic areas, sharp edges, moving parts, and hot surfaces. • Do not kink or over bend hoses or use hoses to pull equipment. • Keep children and animals away from work area. • Comply with all applicable safety regulations.

WARNING

	<p>MOVING PARTS HAZARD</p> <p>Moving parts can pinch or amputate fingers and other body parts.</p> <ul style="list-style-type: none"> • Keep clear of moving parts. • Do not operate equipment with protective guards or covers removed. • Pressurized equipment can start without warning. Before checking, moving, or servicing equipment, follow the Pressure Relief Procedure in this manual. Disconnect power or air supply.
	<p>TOXIC FLUID OR FUMES HAZARD</p> <p>Toxic fluids or fumes can cause serious injury or death if splashed in the eyes or on skin, inhaled, or swallowed.</p> <ul style="list-style-type: none"> • Read MSDS's to know the specific hazards of the fluids you are using. • Store hazardous fluid in approved containers, and dispose of it according to applicable guidelines. • Always wear impervious gloves when spraying or cleaning equipment.
	<p>PERSONAL PROTECTIVE EQUIPMENT</p> <p>You must wear appropriate protective equipment when operating, servicing, or when in the operating area of the equipment to help protect you from serious injury, including eye injury, inhalation of toxic fumes, burns, and hearing loss. This equipment includes but is not limited to:</p> <ul style="list-style-type: none"> • Protective eyewear • Clothing and respirator as recommended by the fluid and solvent manufacturer • Gloves • Hearing protection

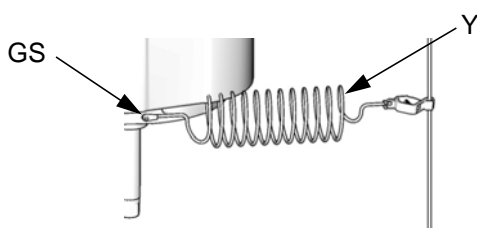
Installation

Grounding



The equipment must be grounded. Grounding reduces the risk of static and electric shock by providing an escape wire for the electrical current due to static build up or in the event of a short circuit.

Pump: Use the ground screw (GS) and lockwasher on the motor to attach a 244524 ground wire (Y). Tighten the screw securely. Connect the other end of the ground wire to a true earth ground.



Air and fluid hoses: use only electrically conductive hoses.

Air compressor or hydraulic power supply: follow manufacturer's recommendations.

Spray gun: ground through connection to a properly grounded fluid hose and pump.

Fluid supply container: follow local code.

Object being sprayed: follow local code.

Solvent pails used when flushing: follow local code. Use only conductive metal pails, placed on a grounded surface. Do not place the pail on a nonconductive surface, such as paper or cardboard, which interrupts grounding continuity.

To maintain grounding continuity when flushing or relieving pressure: hold metal part of the spray gun firmly to the side of a grounded metal pail, then trigger the gun.

Flush Before Using Equipment

The equipment was tested with lightweight oil, which is left in the fluid passages to protect parts. To avoid contaminating your fluid with oil, flush the equipment with a compatible solvent before using the equipment. See **Flushing**, page 15.

Mounting Accessories

See **Dimensions**, page 24 and **Mounting Hole Layouts**, page 25.

FIG. 1 shows an air-powered system and FIG. 2 shows a hydraulic-powered system.

Hoses

See FIG. 1 and FIG. 2. Be sure all hoses are properly sized and pressure-rated for your system. Use only electrically conductive hoses. Fluid hoses must have spring guards on both ends. Use a whip hose (P) and a swivel (R) between the main fluid hose (N) and the gun/valve (S) to allow freer gun/valve movement.

Air Line Accessories



For air-powered pumps, install the following accessories in the order shown in FIG. 1, using adapters as necessary.

NOTE: Accessory Air Control Kits are available for the NXT Air Motor. The kits include a master air valve (E), air regulator (F), and filter (J). Order the kit separately. See manual 311239 for information.

- **Bleed-type master air valve (E):** required in your system to relieve air trapped between it and the air motor when the valve is closed. Be sure the valve is easily accessible from the pump and located downstream from the air regulator.
- **Pump air regulator (F):** to control pump speed and outlet pressure. Locate it close to the pump.
- **Air line filter (J):** removes harmful dirt and moisture from compressed air supply.
- **Second bleed-type air valve (K):** isolates air line accessories for servicing. Locate upstream from all other air line accessories.

Hydraulic Line Accessories

For hydraulic-powered pumps, install the following accessories in the order shown in FIG. 2, using adapters as necessary.

- Use a minimum 13 mm (1/2 in.) ID **supply line (C)**, and a minimum 22 mm (7/8 in.) ID **return line (D)**. The motor has a 3/4 npt(f) hydraulic oil supply fitting, and a 1 in. npt(f) hydraulic oil return fitting.
- **Supply line shutoff valve (U)** isolates the pump for service.
- **Fluid pressure gauge (F)** monitors hydraulic oil pressure to the motor to avoid overpressurizing the motor or displacement pump.
- **Pressure- and temperature-compensated flow control valve (G)** prevents the motor from running too fast and possibly damaging itself.

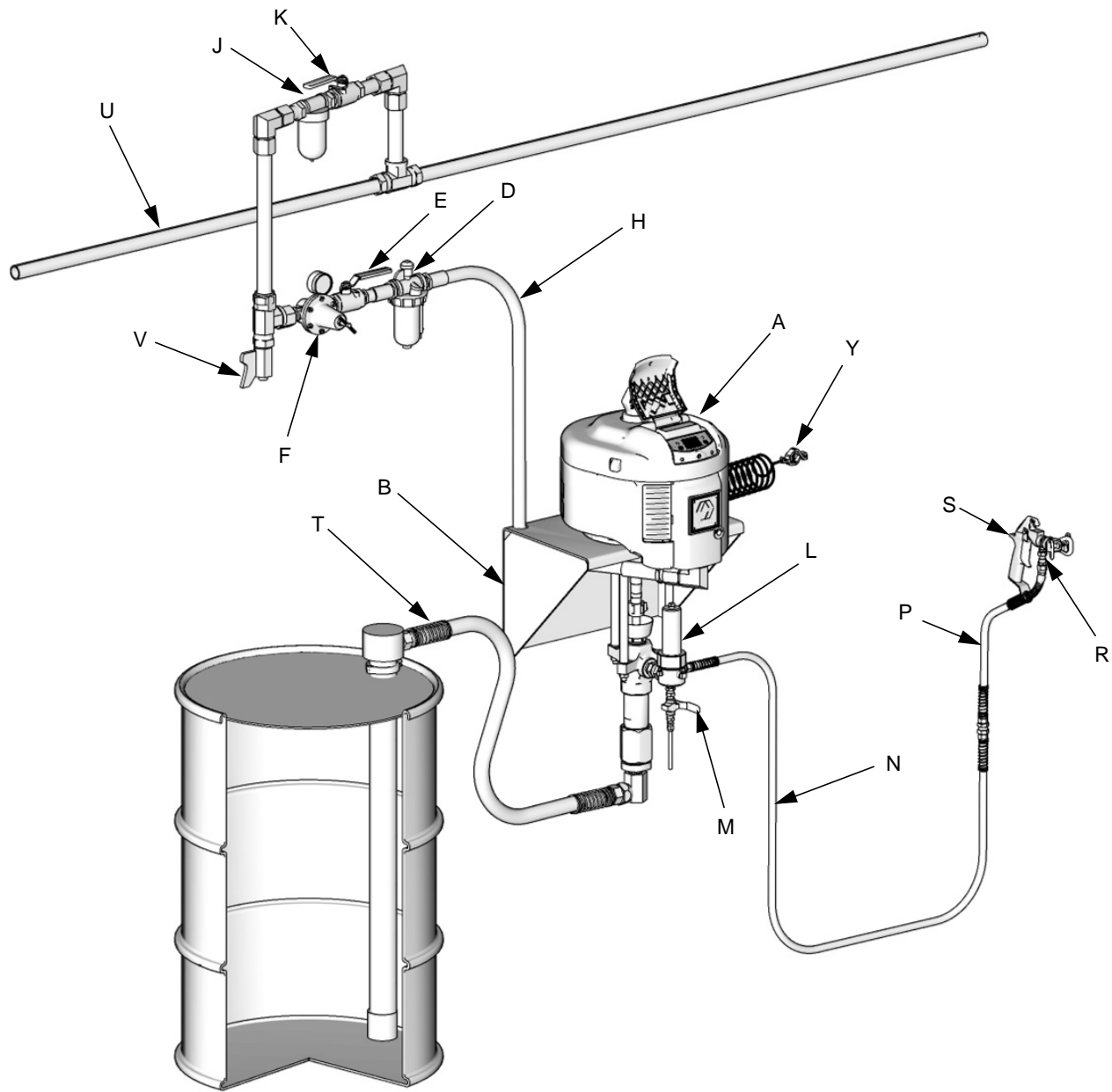
- **Pressure reducing valve (H) with a drain line (E)** runs directly to the hydraulic return line (D).
- **Accumulator (J)** reduces the hammering effect caused by the motor reversing direction.
- **Return line shutoff valve (V)** isolates the pump for service.
- Be sure your hydraulic power supply is equipped with a suction filter to the hydraulic pump and a **system return line filter (W)** of 10 micron size.
- Connect a 6 mm (1/4 in.) ID **drain line (K)** to the barbed fitting on the drip pan, and place the free end in a container to collect the drainage.

Fluid Line Accessories

Install the following accessories in the order shown in FIG. 1 and FIG. 2, using adapters as necessary.



- **Fluid drain valve (M):** required in your system, to relieve fluid pressure in the hose and gun.
- **Fluid filter (L):** with a 60 mesh (250 micron) stainless steel element to filter particles from the fluid as it leaves the pump.
- **Gun or valve (S):** to dispense fluid.
- **Fluid line swivel (R):** for easier gun movement.
- **Suction kit (T):** enables the pump to draw fluid from a container.

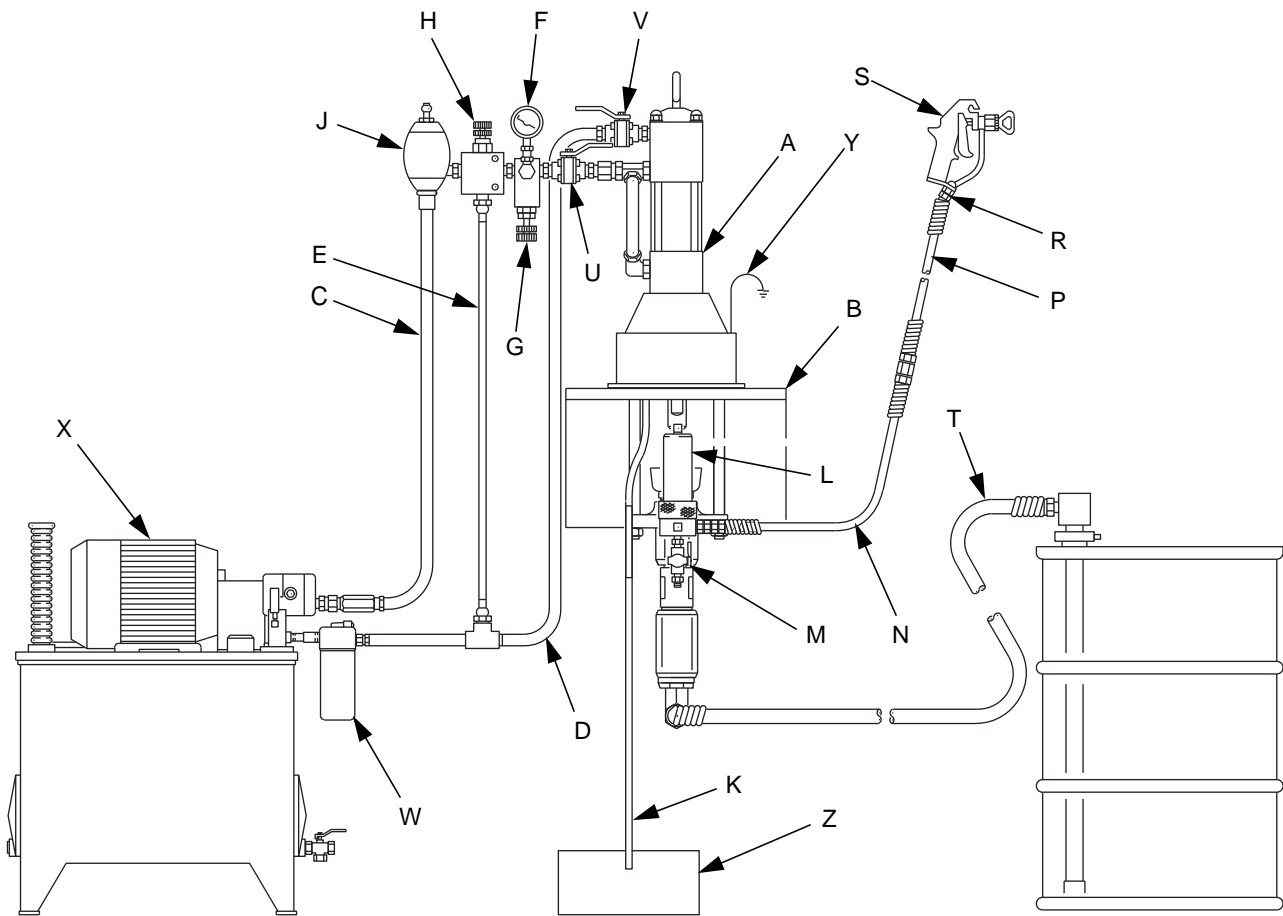


T18429a

FIG. 1: Typical Installation, Air-Powered Pumps

Key:

- | | |
|---|---|
| A Pump | P Fluid Whip Hose |
| B Wall Bracket | R Gun Swivel |
| D Air Line Lubricator | S Airless Spray Gun |
| E Bleed-type Master Air Valve (required) | T Fluid Suction Kit |
| F Pump Air Regulator | U Main Air Supply Line |
| H Electrically Conductive Air Supply Hose | V Air Line Drain Valve |
| J Air Line Filter | Y Pump Ground Wire (required, see page 9 for installation instructions) |
| K Air Shutoff Valve | |
| L Fluid Filter | |
| M Fluid Drain Valve (required) | |
| N Electrically Conductive Fluid Supply Hose | |



04582b

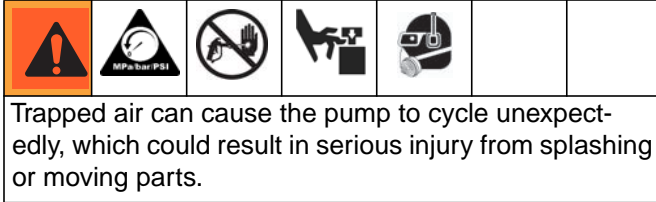
FIG. 2: Typical Installation, Hydraulic-Powered Pumps

Key:

- | | | | |
|---|---|---|---|
| A | Pump | Y | Pump Ground Wire (required, see page 9 for installation instructions) |
| B | Wall Bracket | Z | Drainage Container |
| C | Hydraulic Supply Line | | |
| D | Hydraulic Return Line | | |
| E | Drain Line (from pressure reducing valve) | | |
| F | Pressure Gauge | | |
| G | Flow Control Valve | | |
| H | Pressure Reducing Valve | | |
| J | Accumulator | | |
| K | Drain Line (from motor drip pan) | | |
| L | Fluid Filter | | |
| M | Fluid Drain Valve (required) | | |
| N | Electrically Conductive Fluid Supply Hose | | |
| P | Fluid Whip Hose | | |
| R | Gun Swivel | | |
| S | Airless Spray Gun | | |
| T | Fluid Suction Kit | | |
| U | Hydraulic Supply Line Shutoff Valve | | |
| V | Hydraulic Return Line Shutoff Valve | | |
| W | Hydraulic Return Line Filter | | |
| X | Hydraulic Power Supply | | |

Operation

Pressure Relief Procedure



1. Engage trigger lock.
2. Shutoff the pump:
 - a. *For air-powered pumps*, close the bleed-type master air valve.
 - b. *For hydraulic-powered pumps*, close the supply line shutoff valve (U) first, then close the return line shutoff valve (V).
3. Disengage the trigger lock.
4. Hold a metal part of the gun firmly to a grounded metal pail. Trigger the gun to relieve pressure.
5. Engage the trigger lock.
6. Open all fluid drain valves in the system, having a waste container ready to catch drainage. Leave drain valve(s) open until you are ready to spray again.
7. If you suspect the spray tip or hose is clogged or that pressure has not been fully relieved after following the steps above, VERY SLOWLY loosen tip guard retaining nut or hose end coupling to relieve pressure gradually, then loosen completely. Clear hose or tip obstruction.

Trigger Lock

Always engage the trigger lock when you stop spraying to prevent the gun from being triggered accidentally by hand or if dropped or bumped.

Startup

1. Connect the suction kit (T) to the pump's fluid inlet, and place the tube into the fluid supply.
2. Prepare the pump's power source:
 - a. *For air-powered pumps*, close the air regulator (F). Open the pump's bleed-type master air valve (E).
 - b. *For hydraulic-powered pumps*, check the hydraulic fluid level before each use, and add fluid as necessary. Close the supply line shutoff valve (U) and the return line shutoff valve (V). Start the hydraulic power supply.
3. Hold a metal part of the gun (S) firmly to the side of a grounded metal pail and hold the trigger open.
4. Start the pump:
 - a. *For air-powered pumps*, slowly open the air regulator until the pump starts.
 - b. *For hydraulic-powered pumps*, open the return line shutoff valve (V) first, then slowly open the supply line shutoff valve (U).
5. Cycle the pump slowly until all air is pushed out and the pump and hoses are fully primed. Release the gun trigger and lock the trigger safety latch. The pump should stall against pressure when the trigger is released.
6. With the pump and lines primed, and with adequate air or hydraulic pressure and volume supplied, the pump will start and stop as the gun is opened and closed. In a circulating system, the pump will speed up or slow down on demand, until the air or hydraulic supply is shut off.
7. Always use the lowest air or hydraulic pressure necessary to get the desired results. Higher pressures cause premature tip/nozzle and pump wear.
 - a. *For air-powered pumps*, use the air regulator (F) to control the pump speed and fluid pressure.
 - b. *For hydraulic-powered pumps*, use the fluid pressure gauge (F) and flow control valve (G) to control the pump speed and the fluid pressure.
8. Never allow the pump to run dry of the fluid being pumped. A dry pump will quickly accelerate to a high speed, possibly damaging itself.

NOTE: If your pump accelerates quickly, or is running too fast, stop it immediately and check the fluid supply. If the supply container is empty and air has been pumped into the lines, refill the container and prime the pump and the lines with fluid, or flush and leave it filled with a compatible solvent. Be sure to eliminate all air from the fluid system.

Shutdown



Relieve the pressure, page 13. Stop the pump at the bottom of its stroke to prevent fluid from drying on the exposed displacement rod and damaging the throat packings.

Maintenance

Preventive Maintenance Schedule

The operating conditions of your particular system determine how often maintenance is required. Establish a preventive maintenance schedule by recording when and what kind of maintenance is needed, and then determine a regular schedule for checking your system.

Wet-Cups

Check the wet-cup daily. Keep the wet-cup 1/3 filled with Graco Throat Seal Liquid (TSL™) or compatible solvent.

Flushing



- Flush before changing colors, before fluid can dry in the equipment, at the end of the day, before storing, and before repairing equipment.
 - Flush at the lowest pressure possible. Check connectors for leaks and tighten as necessary.
 - Flush with a fluid that is compatible with the fluid being dispensed and the equipment wetted parts.
1. Follow **Pressure Relief Procedure**, page 13.
 2. Remove spray tip and soak in solvent.
 3. Place siphon tube in grounded metal pail containing cleaning fluid.
 4. Set pump to lowest possible fluid pressure, and start pump.
 5. Hold a metal part of the gun firmly to a grounded metal pail. Trigger the gun until clean solvent dispenses.
 6. Remove gun from hose. See gun manual to further clean gun.

7. Follow **Pressure Relief Procedure**, page 13, and remove fluid filter and soak in solvent. Replace filter cap.

Corrosion Protection

Always flush the pump before the fluid dries on the displacement rod. Never leave water or water-based fluid in the pump overnight. First, flush with water or a compatible solvent, then with mineral spirits. Relieve the pressure, but leave the mineral spirits in the pump to protect the parts from corrosion.

Hydraulic Systems

NOTICE

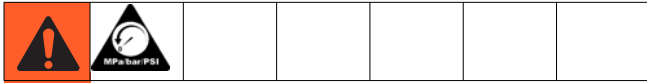
Keep the hydraulic supply system absolutely clean at all times. Blow out hydraulic lines with air and flush thoroughly with solvent before connecting to the hydraulic motor, to avoid introducing harmful contaminants into the motor. Plug the hydraulic lines immediately when they are disconnected.

Do not exceed 37.8 liter/min (10 gpm) hydraulic oil volume to the motor, to avoid stalling the pump.

Do not exceed 54°C (130°F) hydraulic oil temperature.

Carefully follow the manufacturer's recommendations on reservoir and filter cleaning, and periodic changes of hydraulic fluid. Use only Graco-approved hydraulic oil. Order Part No. 169236, 5 gal. (19 liter) or 207428, 1 gal. (3.8 liter). Do not substitute a lower grade oil or one with a lower flash point.

Troubleshooting



1. Relieve the pressure, page 13.
2. Check all possible causes and problems before disassembling the pump.

Problem	Cause	Solution
Pump fails to operate.	Restricted line or inadequate air/hydraulic supply; closed or clogged valves.	Clear; increase air/hydraulic supply. Check that valves are open.
	Obstructed fluid hose or gun/valve; fluid hose ID is too small.	Open, clear*; use hose with larger ID
	Fluid dried on displacement rod.	Clean; always stop pump at bottom of stroke; keep wet-cup 1/3 filled with compatible solvent.
	Dirty, worn, or damaged motor parts.	Clean or repair; see separate motor manual.
Pump operates, but output low on both strokes.	Restricted line or inadequate air/hydraulic supply; closed or clogged valves.	Clear; increase air/hydraulic supply. Check that valves are open.
	Obstructed fluid hose or gun/valve; fluid hose ID is too small.	Open, clear*; use hose with larger ID
	Bleeder valve open.	Close.
	Fluid too heavy for pump priming.	Use ram.
	Worn packings in lower.	Replace packings.
Pump operates, but output low on downstroke.	Held open or worn intake valve.	Clear valve; service.
	Fluid too heavy for pump priming.	Use ram.
Pump operates, but output low on upstroke.	Held open or worn piston valve or packings.	Clear valve; replace packings.
Erratic or accelerated pump speed.	Exhausted fluid supply.	Refill and prime.
	Fluid too heavy for pump priming.	Use ram.
	Held open or worn piston valve or packings.	Clear valve; replace packings.
	Held open or worn intake valve.	Clear valve; service.

* To determine if the fluid hose or gun is obstructed, relieve the pressure, page 13. Disconnect the fluid hose and place a container at the pump fluid outlet to catch any fluid. Turn on the air/hydraulic power just enough to start the pump. If the pump starts, the obstruction is in the fluid hose or gun.

Repair

Required Tools

- Set of adjustable wrenches
- Large pipe wrench
- 2-5/8 in. wrench
- Torque wrench
- Rubber mallet
- O-ring pick
- Large vise
- Thread lubricant
- Thread sealant

Disconnect the Lower



1. Flush the pump, if possible. Stop the pump at the bottom of its stroke. Relieve the pressure, page 13.
2. Disconnect the air or hydraulic hose. Plug all hydraulic hoses immediately, to prevent contamination of the hydraulic system.
3. Disconnect the fluid hose.

NOTICE

Use at least two people when lifting, moving, or disconnecting the pump. If disconnecting the lower, be sure to securely brace the pump, or have two people hold it while another disconnects it.

For cart-mounted pumps, tip the cart backward until the handle rests on the ground, then disconnect the lower.

NOTE: Before disconnecting the lower (102) from the motor (101), be sure to note the relative position of the pump's fluid outlet to the air or hydraulic inlet of the motor. If the motor does not require servicing, leave it attached to its mounting.

4. Unscrew the coupling nut (103) from the connecting rod adapter (105). Remove the coupling collars (104); do not lose or drop them. See FIG. 3.
5. Hold the tie rod flats with a wrench to keep the rods (106) from turning. Unscrew the nuts (107). Remove the lower (102).

6. To service the lower, refer to manual 308354, supplied. To service the air or hydraulic motor, refer to the separate motor manual, supplied.

Reconnect the Lower



Always use connecting rod adapter 190287 and tie rods 184596 on hydraulic-powered pumps. Other connecting rod adapters and tie rods do not allow sufficient clearance between the drip pan and coupling nut.

1. If the connecting rod adapter (105) was disconnected, screw it into the air motor shaft. Torque as noted in FIG. 3.
2. Screw the tie rods (106) into the air motor (101). Using a wrench on the tie rod flats, torque as noted.
3. Make sure the coupling nut (103) and coupling collars (104) are in place on the displacement rod (DR).
4. Use at least two people to hold the lower while another reconnects it to the motor. Orient the pump's fluid outlet to the air or hydraulic inlet as noted under **Disconnect the Lower**. Place the lower (102) on the tie rods (106).

5. Screw the nuts (107) onto the tie rods (106). Torque as noted in FIG. 3.
6. Screw the coupling nut (103) onto the motor shaft (MS) loosely. Hold the motor shaft flats with a wrench to keep it from turning. Use an adjustable wrench to tighten the coupling nut. Torque as noted in FIG. 3.
7. Tighten the packing nut/wet-cup (PN) as specified in the lower pump manual 308354.
8. Reconnect all hoses. Reconnect the ground wire if it was disconnected. Fill the packing nut/wet-cup (PN) 1/3 full of Graco Throat Seal Liquid or compatible solvent.
9. Turn on the air or hydraulic power supply. On hydraulic pumps, open the hydraulic return line valve first, then the supply line valve. Run the pump slowly to ensure that it operates properly, or prime pump (see **Startup** on page 14).

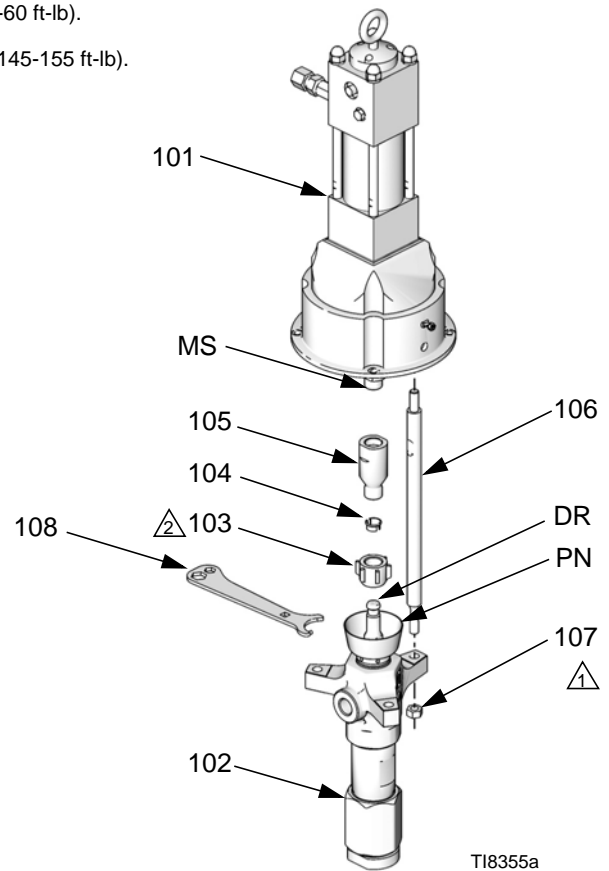
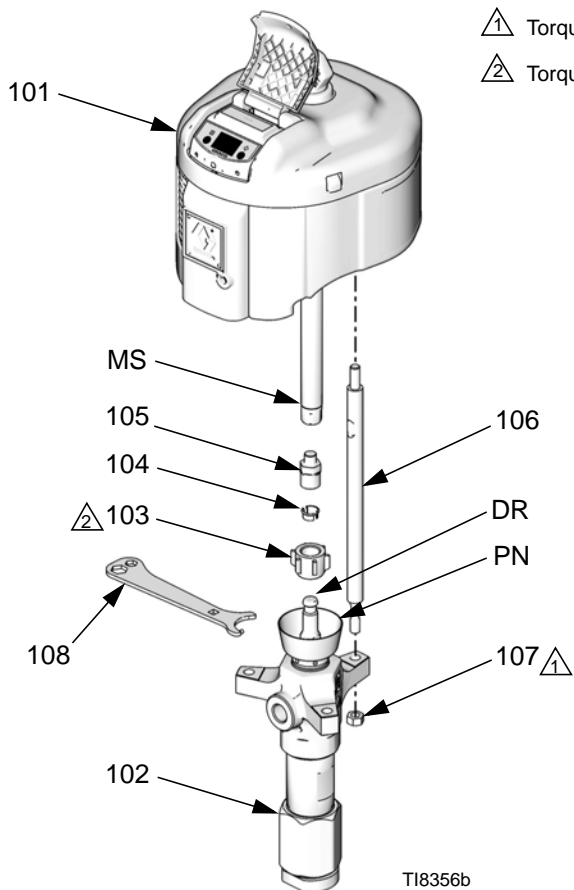
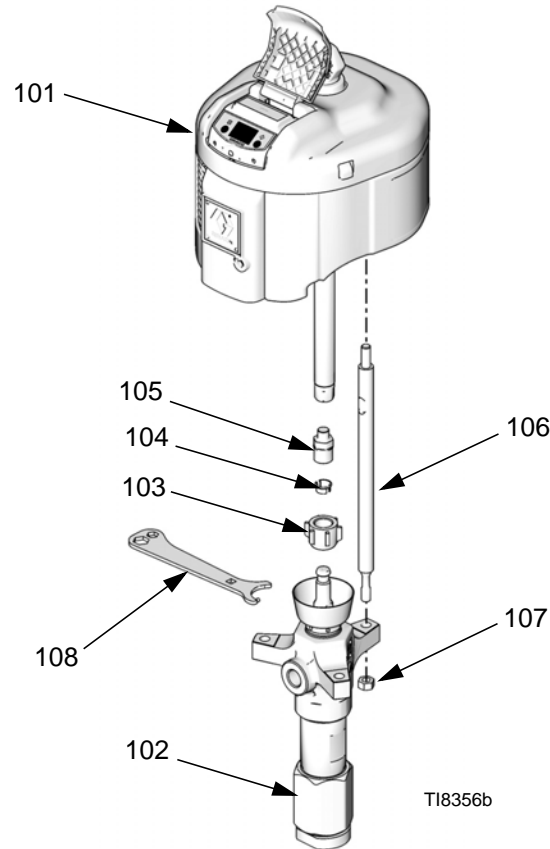


FIG. 3. Reconnect the Lower

Parts

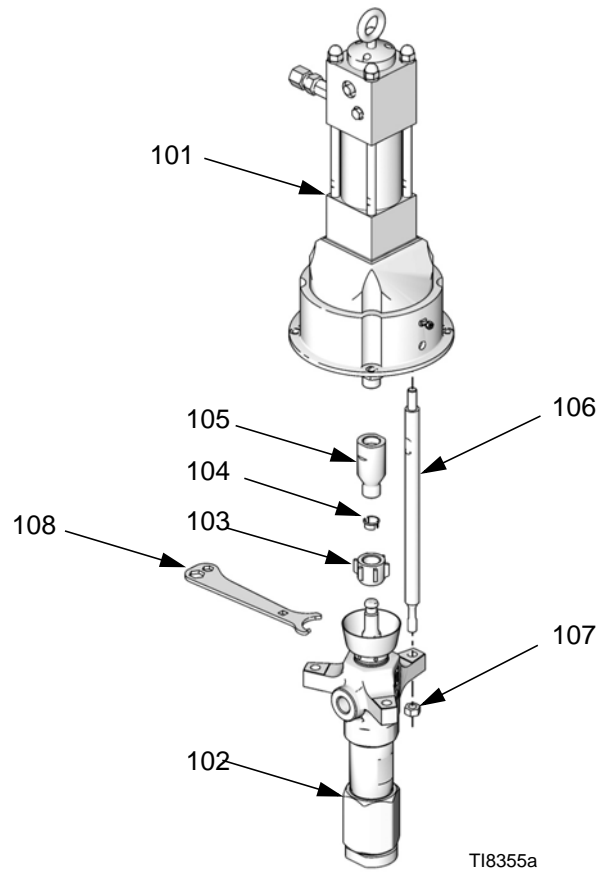
Dura-Flo Pumps with NXT Air Motors



Pump Part No.	Ref. Nos. and Descriptions							
	101	102	103	104	105	106	107	108
	MOTOR; see 311238	LOWER; see 311827	NUT, coupling	COLLAR, coupling	ADAPTER	ROD, tie	NUT, hex; 5/8-11	WRENCH
P16DSE	N22DN0	247192	186925	184129	15H370	15H562	101712	112887
P16ESE	N22DT0	247192	186925	184129	15H370	15H562	101712	112887
P16LSE	N22LN0	247192	186925	184129	15H370	15H562	101712	112887
P16MSE	N22LT0	247192	186925	184129	15H370	15H562	101712	112887
P21DSE	N22DN0	247190	186925	184129	15H370	15H562	101712	112887
P21ESE	N22DT0	247190	186925	184129	15H370	15H562	101712	112887
P21LSE	N22LN0	247190	186925	184129	15H370	15H562	101712	112887
P21MSE	N22LT0	247190	186925	184129	15H370	15H562	101712	112887
P21CSS	N22LR0	L220SS	186925	184129	15H370	15H562	101712	112887
P21LSS	N22LN0	L220SS	186925	184129	15H370	15H562	101712	112887
P24DSE	N22DNO	261657	186925	184129	15H370	15H562	101712	112887
P24ESE	N22DTO	261657	186925	184129	15H370	15H562	101712	112887

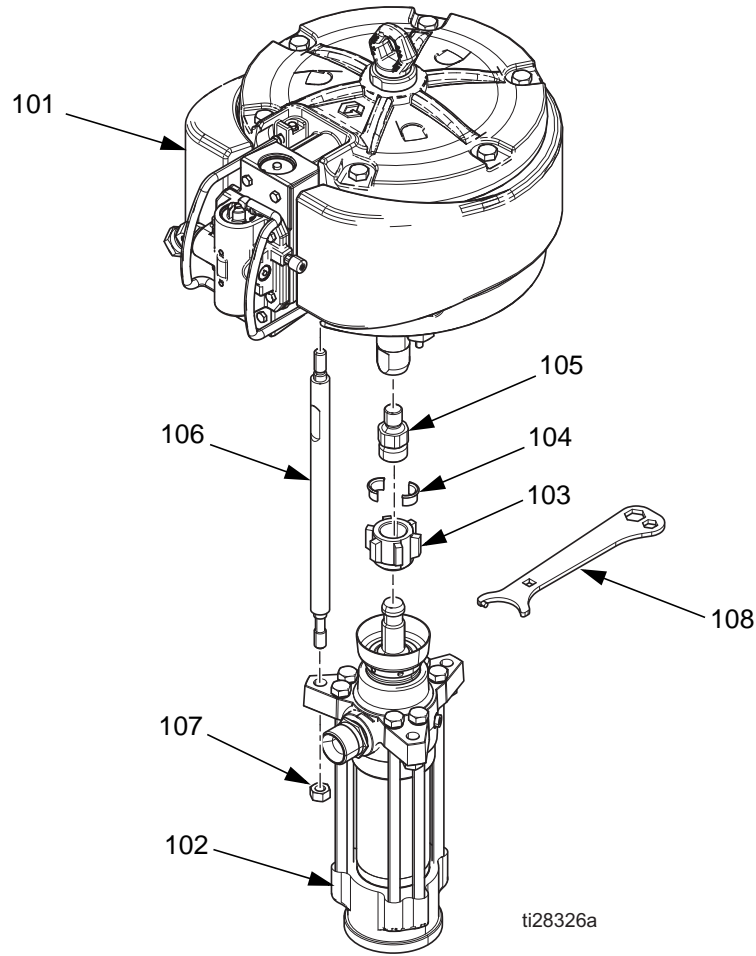
Pump Part No.	Ref. Nos. and Descriptions							
	101	102	103	104	105	106	107	108
	MOTOR; see 311238	LOWER; see 311827	NUT, coupling	COLLAR, coupling	ADAPTER	ROD, tie	NUT, hex; 5/8-11	WRENCH
P24LSE	N22LNO	261657	186925	184129	15H370	15H562	101712	112887
P24MSE	N22LTO	261657	186925	184129	15H370	15H562	101712	112887
P25DSE	N34DN0	237514	186925	184129	15H370	15H562	101712	112887
P25ESE	N34DT0	237514	186925	184129	15H370	15H562	101712	112887
P25LSE	N34LN0	237514	186925	184129	15H370	15H562	101712	112887
P25MSE	N34LTO	237514	186925	184129	15H370	15H562	101712	112887
P30DSE	N34DN0	236470	186925	184129	15H370	15H562	101712	112887
P30CSS	N34LR0	L220SS	186925	184129	15H370	15H562	101712	112887
P30ESE	N34DT0	236470	186925	184129	15H370	15H562	101712	112887
P30LSS	N34LN0	L220SS	186925	184129	15H370	15H562	101712	112887
P30LSE	N34LN0	236470	186925	184129	15H370	15H562	101712	112887
P30MSE	N34LTO	236470	186925	184129	15H370	15H562	101712	112887
P31DSH	N22DN0	247168	186925	184129	15H370	15H562	101712	112887
P31CSS	N22LR0	L145SS	186925	184129	15H370	15H562	101712	112887
P31ESH	N22DT0	247168	186925	184129	15H370	15H562	101712	112887
P31LSS	N22LN0	L145SS	186925	184129	15H370	15H562	101712	112887
P31LSH	N22LN0	247168	186925	184129	15H370	15H562	101712	112887
P31MSH	N22LTO	247168	186925	184129	15H370	15H562	101712	112887
P40DSE	N34DN0	236456	186925	184129	15H370	15H562	101712	112887
P40ESE	N34DT0	236456	186925	184129	15H370	15H562	101712	112887
P40LSE	N34LN0	236456	186925	184129	15H370	15H562	101712	112887
P40MSE	N34LTO	236456	186925	184129	15H370	15H562	101712	112887
P45DSE	N65DN0	237514	186925	184129	15H370	15H562	101712	112887
P45ESE	N65DT0	237514	186925	184129	15H370	15H562	101712	112887
P45LSE	N65LN0	237514	186925	184129	15H370	15H562	101712	112887
P45LSS	N65LN0	L290SS	186925	184129	15H370	15H562	101712	112887
P45MSE	N65LTO	237514	186925	184129	15H370	15H562	101712	112887
P46DSH	N34DN0	236458	186925	184129	15H370	15H562	101712	112887
P46CSS	N34LR0	L145SS	186925	184129	15H370	15H562	101712	112887
P46ESH	N34DT0	236458	186925	184129	15H370	15H562	101712	112887
P46LSS	N34LN0	L145SS	186925	184129	15H370	15H562	101712	112887
P46LSH	N34LN0	236458	186925	184129	15H370	15H562	101712	112887
P46MSH	N34LTO	236458	186925	184129	15H370	15H562	101712	112887
P57LSS	N65LN0	L220SS	186925	184129	15H370	15H562	101712	112887
Qty	1	1	1	2	1	3	3	1

Dura-Flo Pumps with Viscount Hydraulic Motors



Pump Part No.	Ref. Nos. and Descriptions							
	101	102	103	104	105	106	107	108
	MOTOR; see 307158	LOWER; see 308354	NUT, coupling	COLLAR, coupling	ADAPTER	ROD, tie	NUT, hex; 5/8-11	WRENCH
237290	235345	236470	186925	184129	190287	184596	106166	112887
248817	235345	248816	186925	184129	190287	184596	106166	112887
Qty	1	1	1	2	1	3	3	1

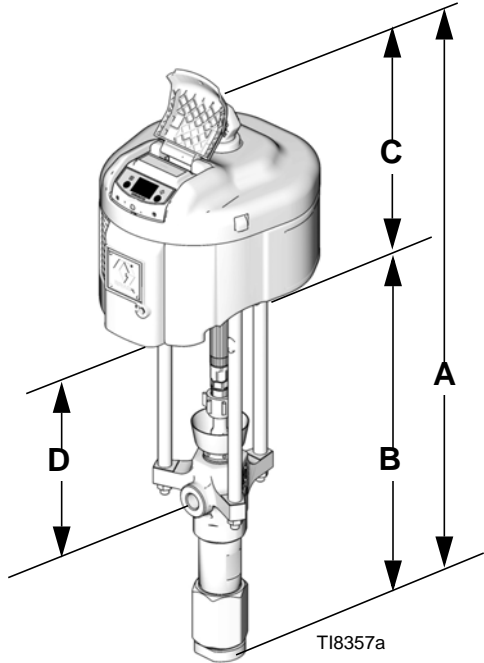
Dura-Flo Pumps with Xtreme XL Motors



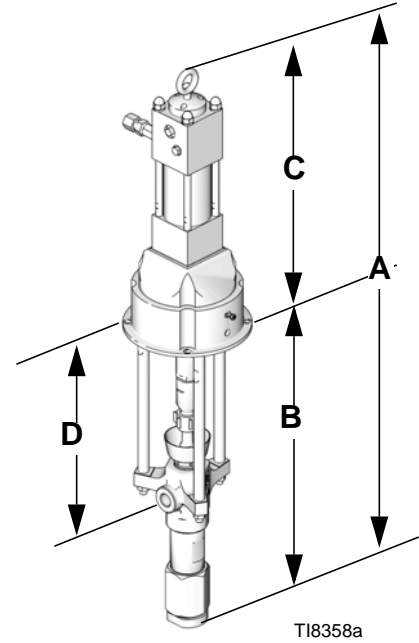
Pump Part No.	Ref. Nos. and Descriptions							
	101	102	103	104	105	106	107	108
	MOTOR; see 334644	LOWER; see 311827	NUT, coupling	COLLAR, coupling	ADAPTER	ROD, tie	NUT, hex; 5/8-11	WRENCH
P71LSS	24X856	L290SS	184098	184129	C59707	C59708	106166	112887
Qty	1	1	1	2	1	3	3	1

Dimensions

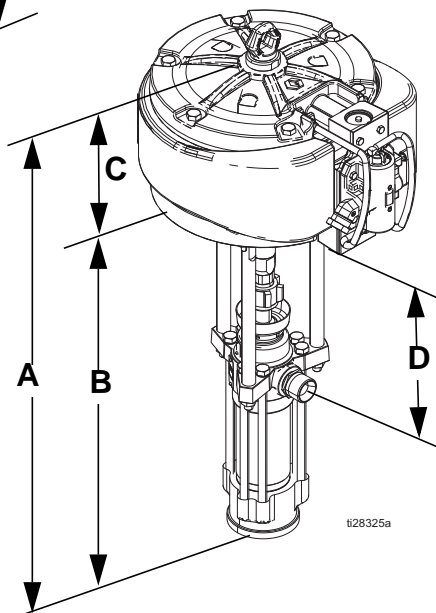
Dura-Flo Pumps with NXT Air Motors



Dura-Flo Pumps with Viscount Hydraulic Motors

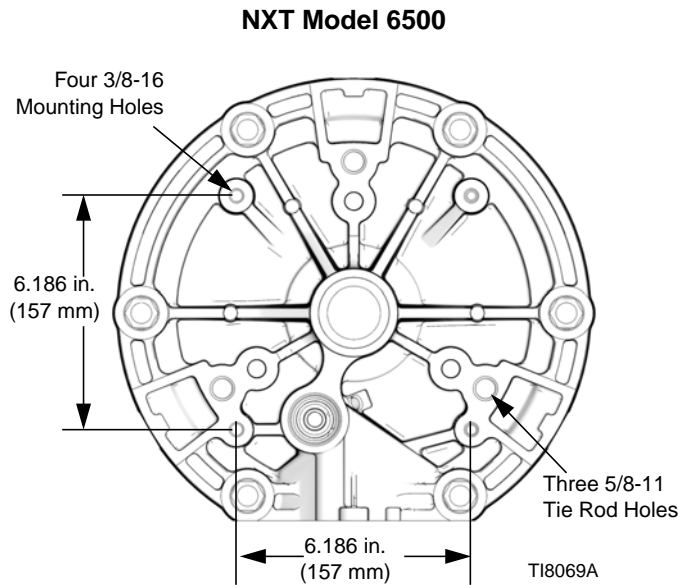
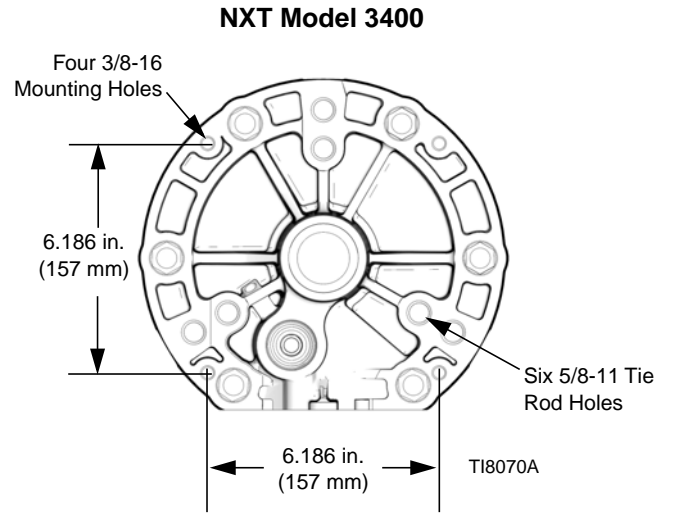
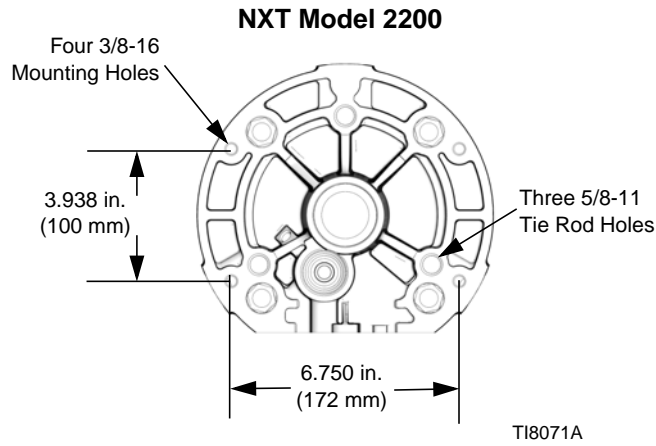


Dura-Flo Pumps with Xtreme XL Motors

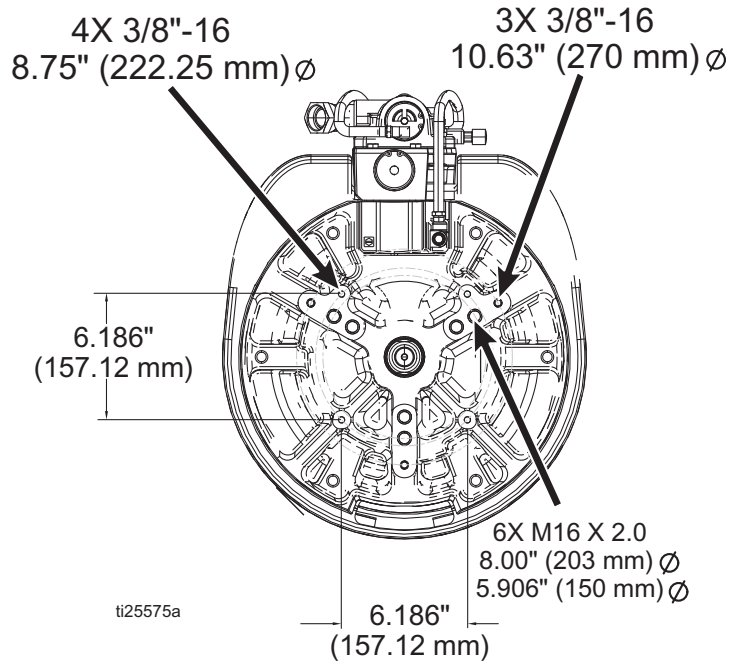


Motor Model	Pump Model	A mm (in.)	B mm (in.)	C mm (in.)	D mm (in.)	Weight kg (lb) w/600, 750 lower	Weight kg (lb) w/900, 1200 lower
NXT Model 2200	All	1100 (43.3)	756 (29.78)	340 (13.52)	430 (16.79)	42 (86)	56 (122)
NXT Model 3400	All	1100 (43.3)	756 (29.78)	340 (13.52)	430 (16.79)	51 (92)	57 (126)
NXT Model 6500	All	1100 (43.3)	756 (29.78)	340 (13.52)	430 (16.79)	n/a	67 (146)
Viscount	All	1344 (52.9)	681 (26.8)	663 (26.1)	350 (13.81)	n/a	68 (150)
Xtreme XL	P71LSS	1308 (51.5)	920 (36.22)	390 (15.38)	587 (23.11)	n/a	88.5 (195)

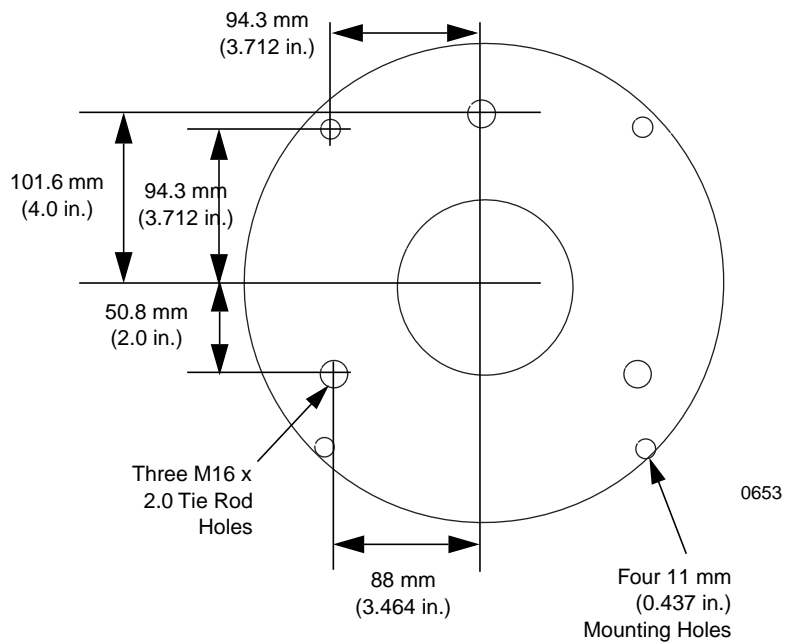
Mounting Hole Layouts



Xtreme XL



Viscount



Technical Data

Ratio	See Models , page 3.
Maximum fluid working pressure	See Models , page 3.
Maximum air/hydraulic working pressure	See Models , page 3.
Pump cycles per 3.8 liters (1 gal.)	Dura-Flo 600 (145 cc): 26.0 Dura-Flo 750 (180 cc): 21.0 Dura-Flo 900 (220 cc): 18.0 Dura-Flo 1200 (290 cc): 12.5
Fluid flow at 60 cpm	Dura-Flo 600 (145 cc): 8.7 liters/min (2.3 gpm) Dura-Flo 750 (180 cc): 11.0 liters/min (2.9 gpm) Dura-Flo 900 (220 cc): 12.9 liters/min (3.4 gpm) Dura-Flo 1200 (290 cc): 17.4 liters/min (4.6 gpm)
Motor piston effective area	See motor manual, supplied.
Stroke length	See motor manual, supplied.
Lower effective area	See lower manual 308354, supplied.
Maximum pump operating temperature	65.5°C (150°F)
Motor fitting sizes	See motor manual, supplied.
Fluid inlet size.	See lower manual 308354, supplied.
Fluid outlet size.	See lower manual 308354, supplied.
Sound pressure	NXT air motors: See manual 311238, supplied. Viscount hydraulic motors: 88 dB(A) at 1450 psi hydraulic pressure, 25 cycles/min (tested in accordance with ISO 3744) Xtreme XL air motor: 86.8 dB(A), tested 3.28 feet (1 m) from equipment.
Sound power	NXT air motors: See manual 311238, supplied. Viscount hydraulic motors: 103 dB(A) at 1450 psi hydraulic pressure, 25 cycles/min (tested in accordance with ISO 3744) Xtreme XL air motor: 96 dB(A), measured at 70 psi (0.48 MPa, 4.8 bar), 20 cpm, per ISO-9614-2.
Wetted parts	See lower manual 308354, supplied.

Pump Performance Charts (see pages 28-33)

Fluid Outlet Pressure

To find fluid outlet pressure (MPa/bar/psi) at a specific flow (lpm/gpm) and operating pressure (A/B/C):

1. Locate desired flow at bottom of chart.
2. Follow vertical line up to intersection with selected operating pressure curve (solid line). Follow left to scale to read fluid outlet pressure.

Pump Air or Hydraulic Oil Consumption

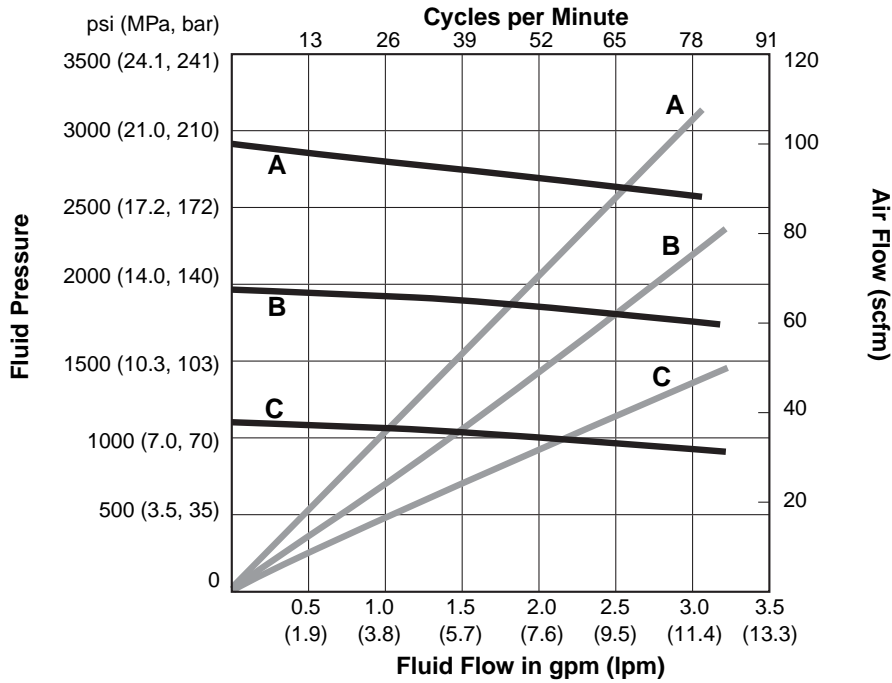
To find air or hydraulic oil consumption at a specific flow (lpm/gpm) and operating pressure (A/B/C):

1. Locate desired flow at bottom of chart.
2. Follow vertical line up to intersection with selected operating pressure curve (dashed line). Follow left to scale to read air or oil consumption.

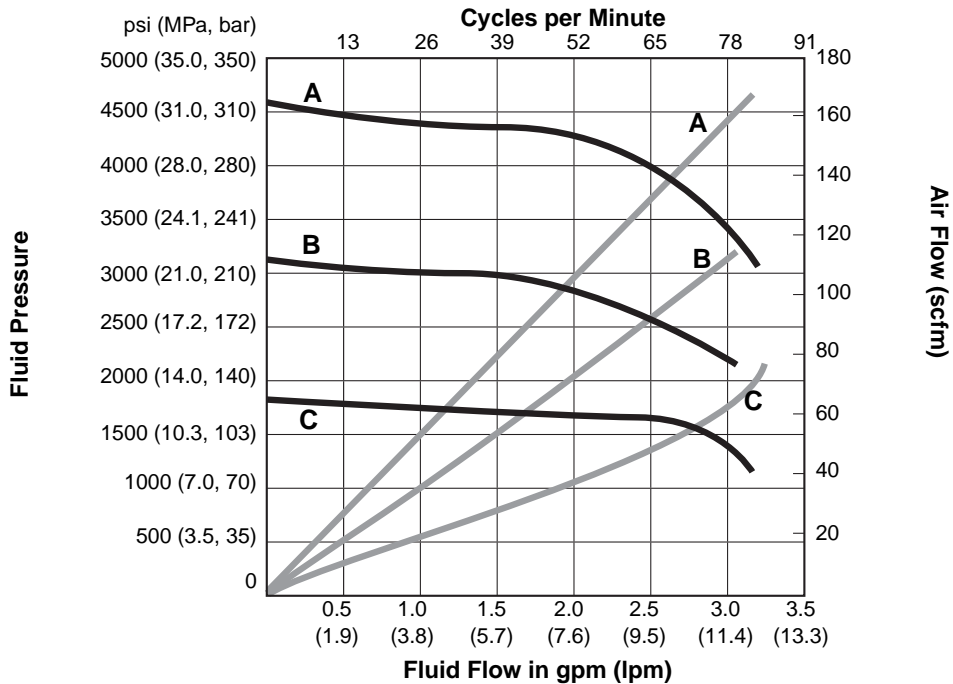
Key

- A** 0.7 MPa, 7 bar (100 psi) air pressure or 10.5 MPa, 105 bar (1500 psi) hydraulic oil pressure
 - B** 0.5 MPa, 4.9 bar (70 psi) air pressure or 7.5 MPa, 75 bar (1050 psi) hydraulic oil pressure
 - C** 0.3 MPa, 2.8 bar (40 psi) air pressure or 4.2 MPa, 42 bar (600 psi) hydraulic oil pressure
- Test Fluid:** No. 10 Weight Oil

Dura-Flo 600 Pumps with NXT Model 2200 Air Motors, Pump Ratio 31:1



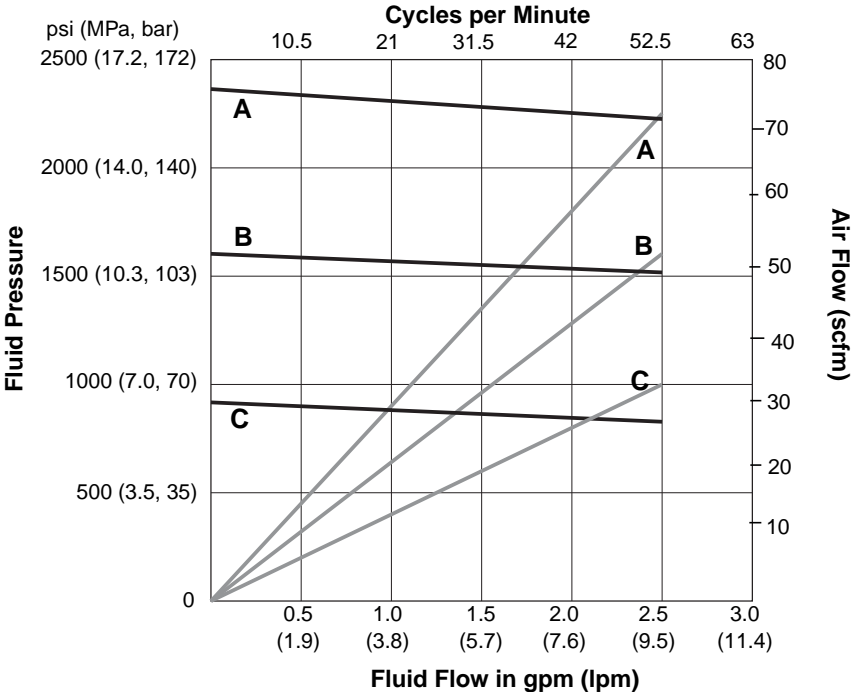
Dura-Flo 600 Pumps with NXT Model 3400 Air Motors, Pump Ratio 46:1



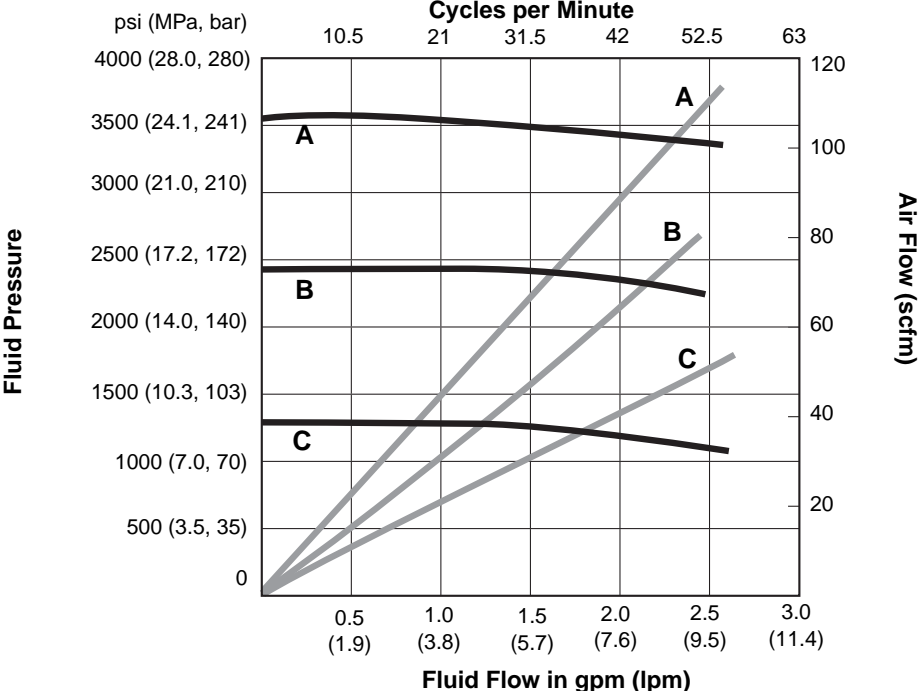
Key

- A** 0.7 MPa, 7 bar (100 psi) air pressure or 10.5 MPa, 105 bar (1500 psi) hydraulic oil pressure
 - B** 0.5 MPa, 4.9 bar (70 psi) air pressure or 7.5 MPa, 75 bar (1050 psi) hydraulic oil pressure
 - C** 0.3 MPa, 2.8 bar (40 psi) air pressure or 4.2 MPa, 42 bar (600 psi) hydraulic oil pressure
- Test Fluid:** No. 10 Weight Oil

Dura-Flo 750 Pumps with NXT Model 2200 Air Motors, Pump Ratio 24:1



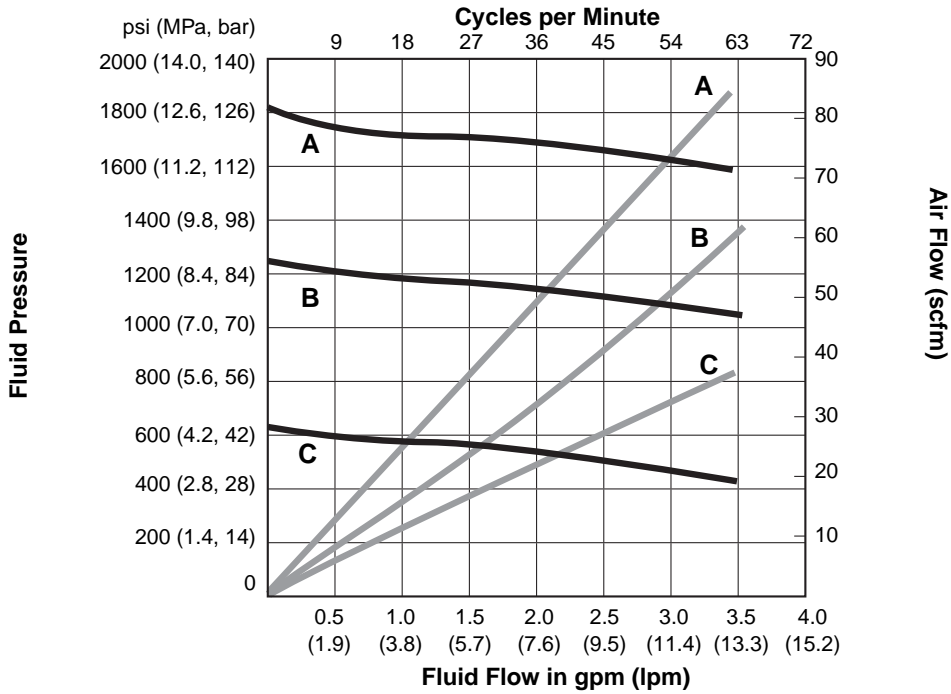
Dura-Flo 750 Pumps with NXT Model 3400 Air Motors, Pump Ratio 40:1



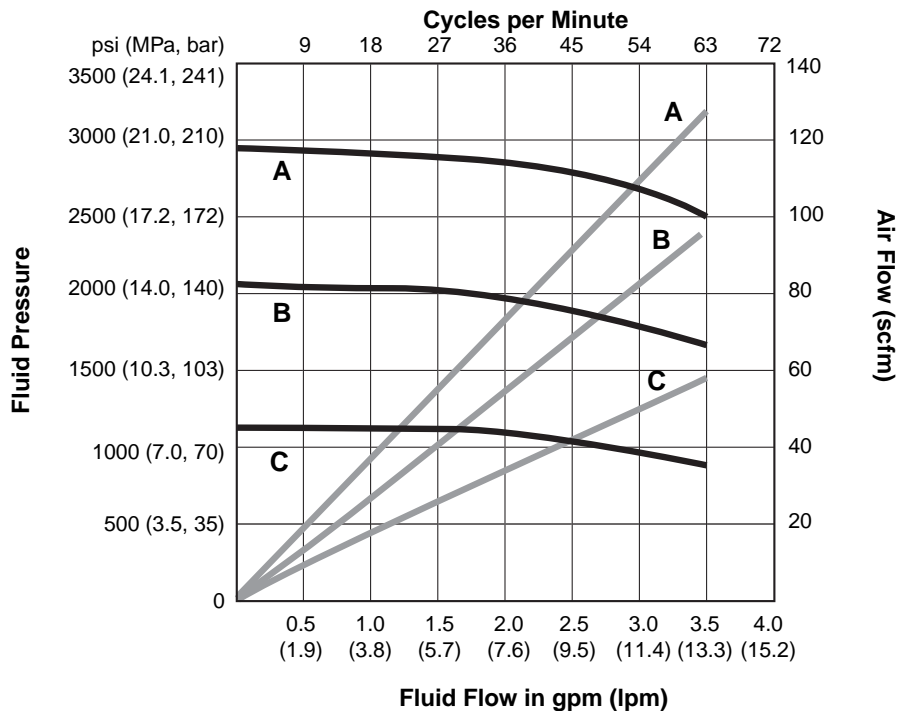
Key

- A** 0.7 MPa, 7 bar (100 psi) air pressure or 10.5 MPa, 105 bar (1500 psi) hydraulic oil pressure
 - B** 0.5 MPa, 4.9 bar (70 psi) air pressure or 7.5 MPa, 75 bar (1050 psi) hydraulic oil pressure
 - C** 0.3 MPa, 2.8 bar (40 psi) air pressure or 4.2 MPa, 42 bar (600 psi) hydraulic oil pressure
- Test Fluid:** No. 10 Weight Oil

Dura-Flo 900 Pumps with NXT Model 2200 Air Motors, Pump Ratio 21:1

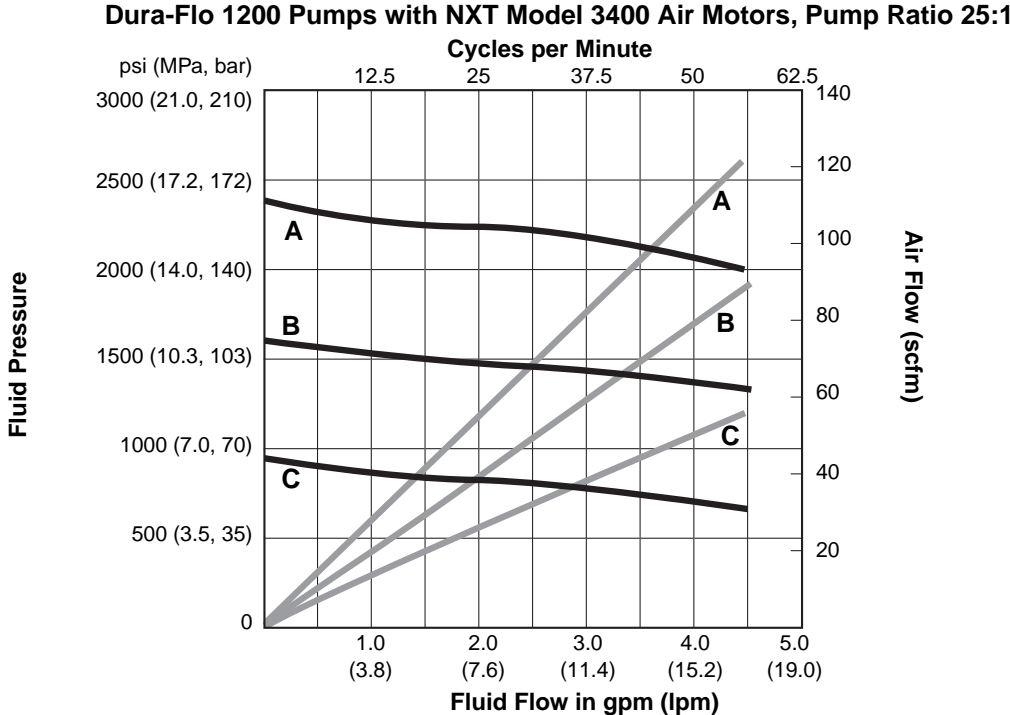
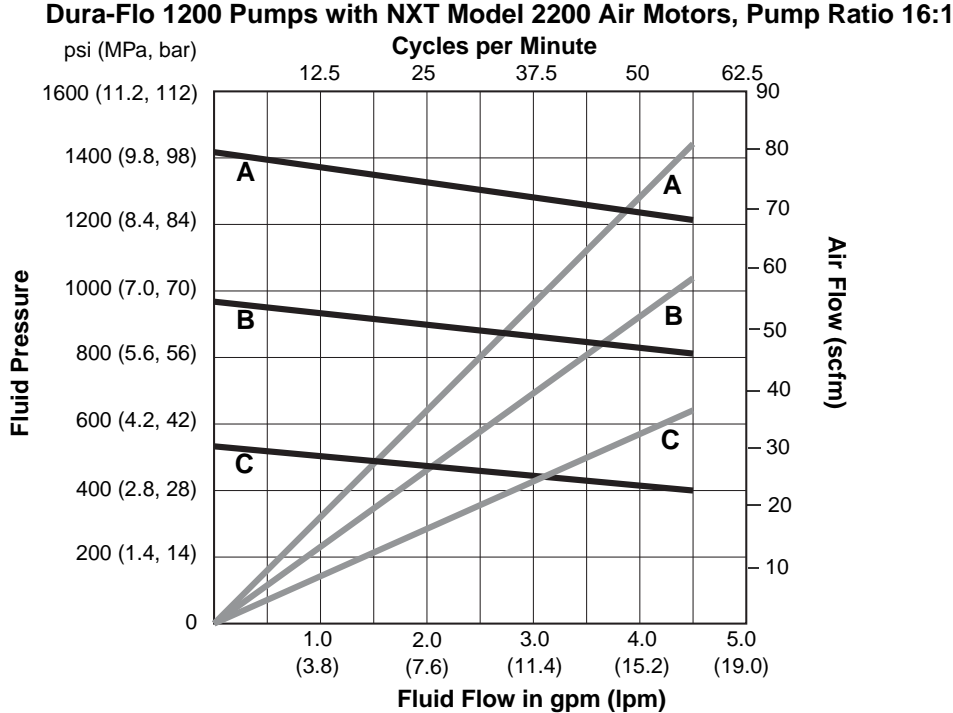


Dura-Flo 900 Pumps with NXT Model 3400 Air Motors, Pump Ratio 30:1



Key

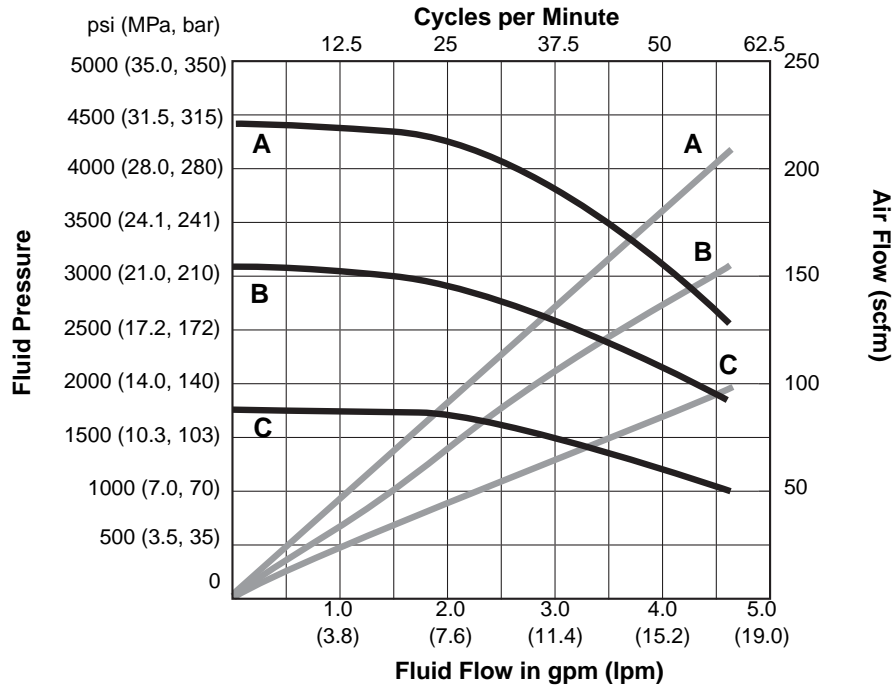
- A** 0.7 MPa, 7 bar (100 psi) air pressure or 10.5 MPa, 105 bar (1500 psi) hydraulic oil pressure
 - B** 0.5 MPa, 4.9 bar (70 psi) air pressure or 7.5 MPa, 75 bar (1050 psi) hydraulic oil pressure
 - C** 0.3 MPa, 2.8 bar (40 psi) air pressure or 4.2 MPa, 42 bar (600 psi) hydraulic oil pressure
- Test Fluid:** No. 10 Weight Oil



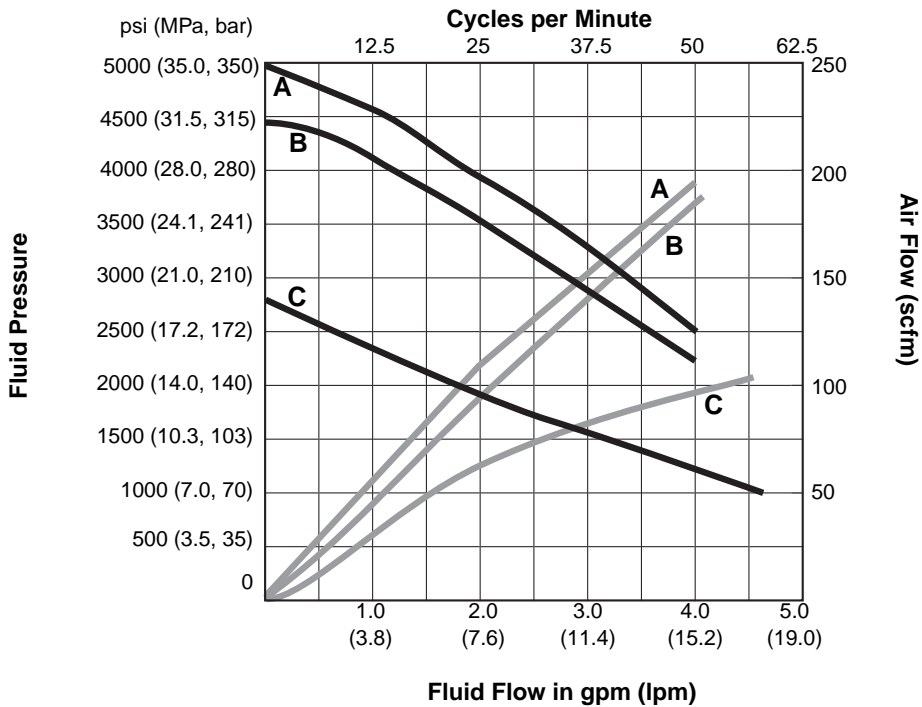
Key

- A** 0.7 MPa, 7 bar (100 psi) air pressure or 10.5 MPa, 105 bar (1500 psi) hydraulic oil pressure
 - B** 0.5 MPa, 4.9 bar (70 psi) air pressure or 7.5 MPa, 75 bar (1050 psi) hydraulic oil pressure
 - C** 0.3 MPa, 2.8 bar (40 psi) air pressure or 4.2 MPa, 42 bar (600 psi) hydraulic oil pressure
- Test Fluid:** No. 10 Weight Oil

Dura-Flo 1200 Pumps with NXT Model 6500 Air Motors, Pump Ratio 45:1



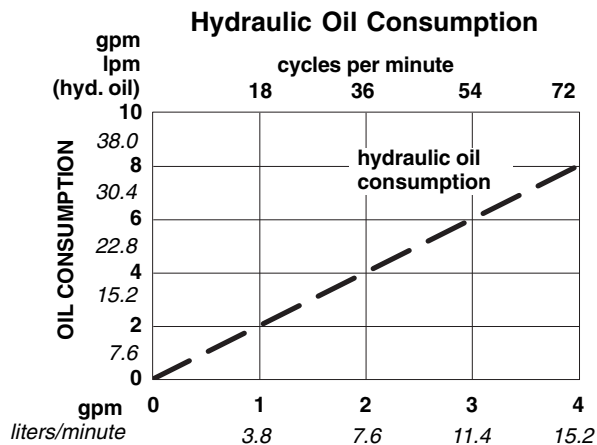
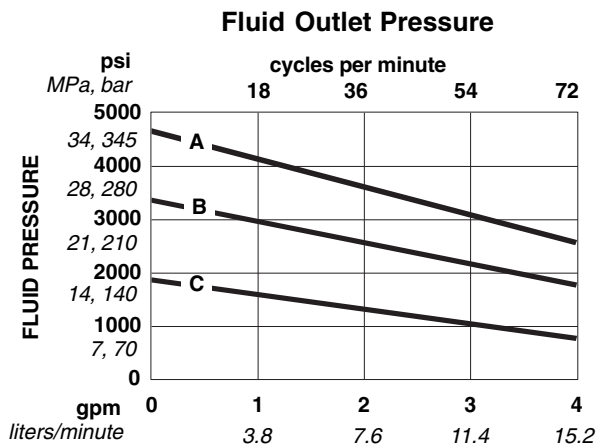
Dura-Flo 1200 Pumps with Xtreme XL Air Motors, Pump Ratio 71:1



Key

- A** 0.7 MPa, 7 bar (100 psi) air pressure or 10.5 MPa, 105 bar (1500 psi) hydraulic oil pressure
 - B** 0.5 MPa, 4.9 bar (70 psi) air pressure or 7.5 MPa, 75 bar (1050 psi) hydraulic oil pressure
 - C** 0.3 MPa, 2.8 bar (40 psi) air pressure or 4.2 MPa, 42 bar (600 psi) hydraulic oil pressure
- Test Fluid:** No. 10 Weight Oil

Dura-Flo 900 Pumps with Viscount Hydraulic Motors



Graco Standard Warranty

Graco warrants all equipment referenced in this document which is manufactured by Graco and bearing its name to be free from defects in material and workmanship on the date of sale to the original purchaser for use. With the exception of any special, extended, or limited warranty published by Graco, Graco will, for a period of twelve months from the date of sale, repair or replace any part of the equipment determined by Graco to be defective. This warranty applies only when the equipment is installed, operated and maintained in accordance with Graco's written recommendations.

This warranty does not cover, and Graco shall not be liable for general wear and tear, or any malfunction, damage or wear caused by faulty installation, misapplication, abrasion, corrosion, inadequate or improper maintenance, negligence, accident, tampering, or substitution of non-Graco component parts. Nor shall Graco be liable for malfunction, damage or wear caused by the incompatibility of Graco equipment with structures, accessories, equipment or materials not supplied by Graco, or the improper design, manufacture, installation, operation or maintenance of structures, accessories, equipment or materials not supplied by Graco.

This warranty is conditioned upon the prepaid return of the equipment claimed to be defective to an authorized Graco distributor for verification of the claimed defect. If the claimed defect is verified, Graco will repair or replace free of charge any defective parts. The equipment will be returned to the original purchaser transportation prepaid. If inspection of the equipment does not disclose any defect in material or workmanship, repairs will be made at a reasonable charge, which charges may include the costs of parts, labor, and transportation.

THIS WARRANTY IS EXCLUSIVE, AND IS IN LIEU OF ANY OTHER WARRANTIES, EXPRESS OR IMPLIED, INCLUDING BUT NOT LIMITED TO WARRANTY OF MERCHANTABILITY OR WARRANTY OF FITNESS FOR A PARTICULAR PURPOSE.

Graco's sole obligation and buyer's sole remedy for any breach of warranty shall be as set forth above. The buyer agrees that no other remedy (including, but not limited to, incidental or consequential damages for lost profits, lost sales, injury to person or property, or any other incidental or consequential loss) shall be available. Any action for breach of warranty must be brought within two (2) years of the date of sale.

GRACO MAKES NO WARRANTY, AND DISCLAIMS ALL IMPLIED WARRANTIES OF MERCHANTABILITY AND FITNESS FOR A PARTICULAR PURPOSE, IN CONNECTION WITH ACCESSORIES, EQUIPMENT, MATERIALS OR COMPONENTS SOLD BUT NOT MANUFACTURED BY GRACO. These items sold, but not manufactured by Graco (such as electric motors, switches, hose, etc.), are subject to the warranty, if any, of their manufacturer. Graco will provide purchaser with reasonable assistance in making any claim for breach of these warranties.

In no event will Graco be liable for indirect, incidental, special or consequential damages resulting from Graco supplying equipment hereunder, or the furnishing, performance, or use of any products or other goods sold hereto, whether due to a breach of contract, breach of warranty, the negligence of Graco, or otherwise.

FOR GRACO CANADA CUSTOMERS

The Parties acknowledge that they have required that the present document, as well as all documents, notices and legal proceedings entered into, given or instituted pursuant hereto or relating directly or indirectly hereto, be drawn up in English. Les parties reconnaissent avoir convenu que la rédaction du présente document sera en Anglais, ainsi que tous documents, avis et procédures judiciaires exécutés, donnés ou intentés, à la suite de ou en rapport, directement ou indirectement, avec les procédures concernées.

Graco Information

For the latest information about Graco products, visit www.graco.com.

For patent information, see www.graco.com/patents.

TO PLACE AN ORDER, contact your Graco distributor or call to identify the nearest distributor.

Phone: 612-623-6921 **or Toll Free:** 1-800-328-0211 **Fax:** 612-378-3505

*All written and visual data contained in this document reflects the latest product information available at the time of publication.
Graco reserves the right to make changes at any time without notice.*

Original instructions. This manual contains English. MM 311828

Graco Headquarters: Minneapolis

International Offices: Belgium, China, Japan, Korea

GRACO INC. AND SUBSIDIARIES • P.O. BOX 1441 • MINNEAPOLIS MN 55440-1441 • USA
Copyright 2006, Graco Inc. All Graco manufacturing locations are registered to ISO 9001.

www.graco.com

Revision J, February 2016