

Electronics Repair Kit

Kit No. 256493 - For SDM5 & SDM15 (Manual) - English, Spanish, French

Kit No. 256494 - For SDP5 & SDP15 (Preset) - English, Spanish, French

Kit No. 255886 - Matrix 5 & Matrix 15 Dispense Meters - English, Spanish, French

Kit No. 24R602 - Matrix 5 & Matrix 15 Dispense Meters - German, Polish, Italian

Kit No. 24Z543 - Matrix 5 & Matrix 15 Dispense Meters

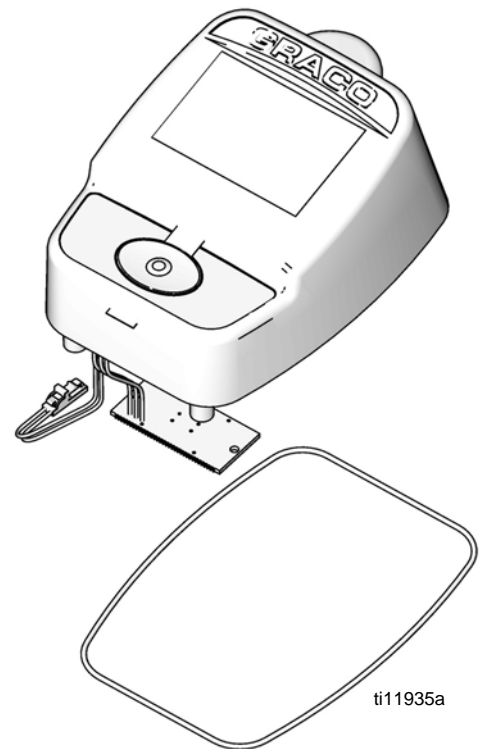


Important Safety Instructions

Read all warnings and instructions in this manual and the Meter Instruction Manual.

Kit Includes:

FN	Description	Qty
1	ASSEMBLY, electronics with cover	1
2	O-RING	1



Repair Instructions

Unless otherwise noted, these instructions are for both manual and preset model meters.

Disassembly

1. Use a Torx (T20) wrench to remove 4 corner screws (A) located on the bottom of the meter (FIG. 1). Keep these parts for reassembly.

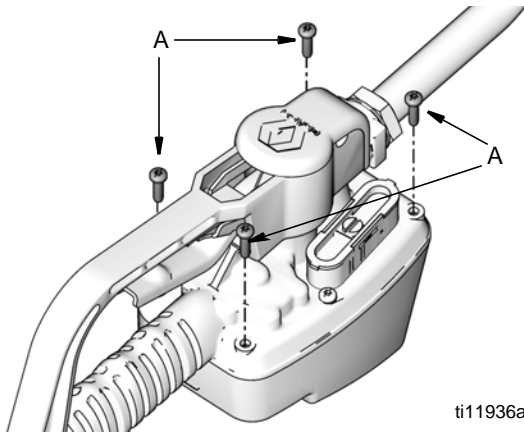



FIG. 1

2. Turn meter over and tilt cover back (FIG. 2).

 You will not be able to completely remove the cover until you disconnect the battery lead (B) and on Preset models, the solenoid lead (C).

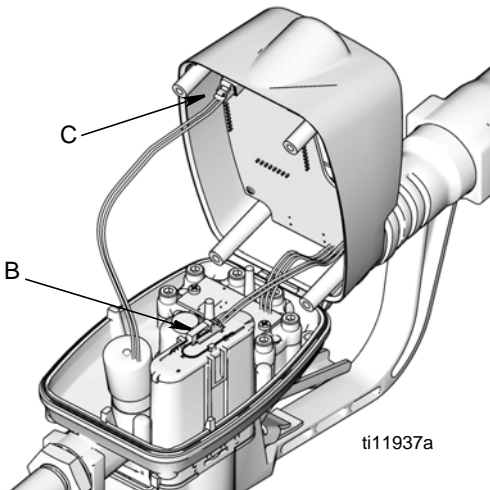


FIG. 2

3. Unsnap battery lead (B) (FIG. 3).

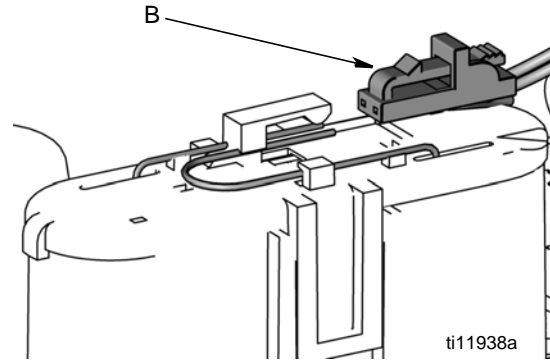


FIG. 3

4. Preset models only, unsnap solenoid lead (C) (FIG. 4).

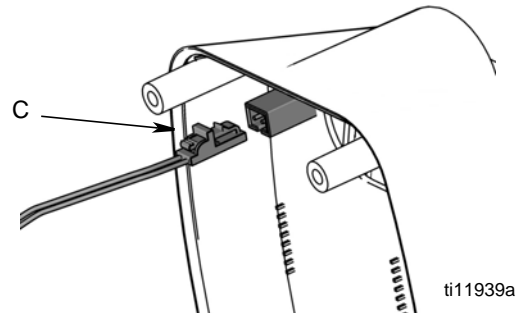


FIG. 4

5. Remove two screws (D) holding reed switch board to the cover plate (FIG. 5). Keep these parts for reassembly. Remove cover assembly.

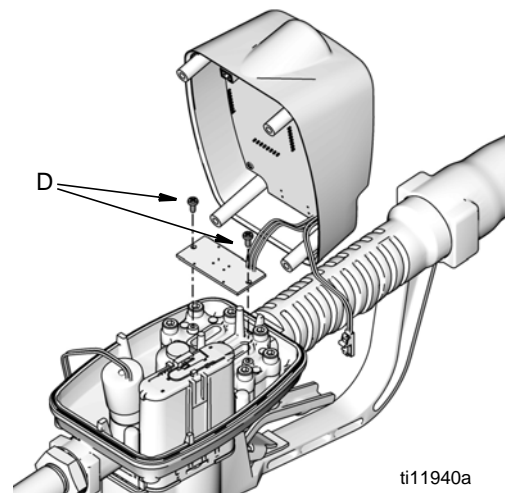


FIG. 5

- Remove and discard o-ring (2).

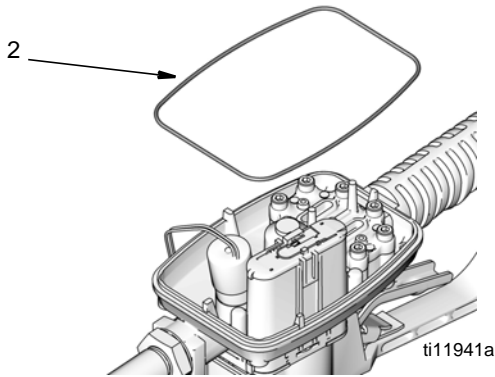


FIG. 6

Assembly

- Install new o-ring (2) (FIG. 6).
- Install new reed switch board in cover plate.
- Use 2 screws (D) to secure reed switch to meter housing (FIG. 7). Tighten screws until they bottom out on the housing.

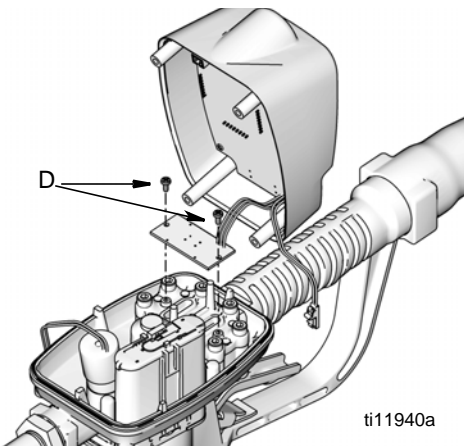


FIG. 7

- Reconnect lead to battery by carefully sliding connector over battery terminals (E) until it snaps securely into place (B) (FIG. 8).

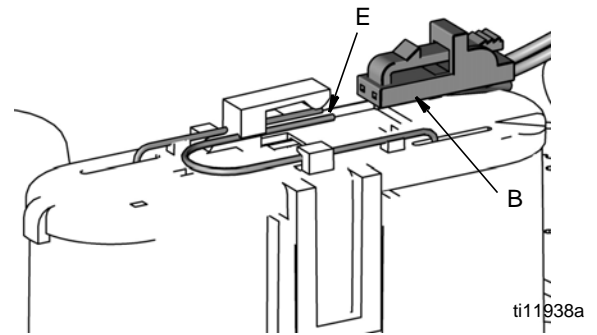


FIG. 8

- For Preset Meter only, reconnect solenoid lead (C) (FIG. 9).

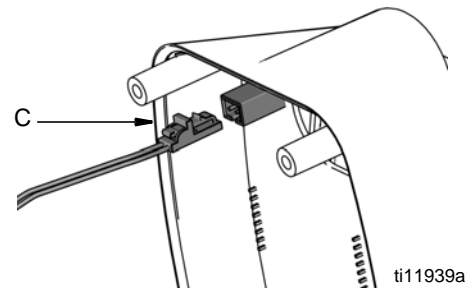


FIG. 9

- Close the cover.

NOTICE

When replacing cover, be careful not to pinch wires.

- Replace 4 screws (A). Torque each to 24-35 inch pounds.

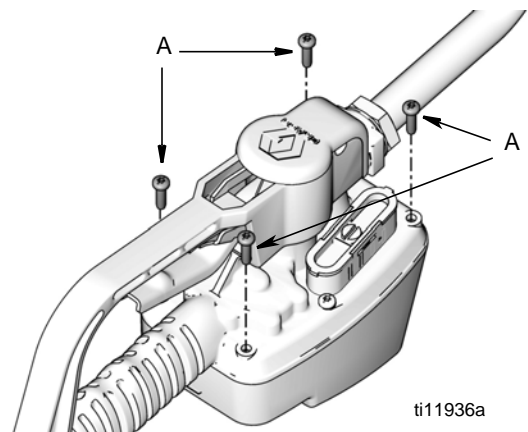


FIG. 10

*All written and visual data contained in this document reflects the latest product information available at the time of publication.
Graco reserves the right to make changes at any time without notice.*

This manual contains English. MM 312942

For patent information see www.graco.com/patents

Graco Headquarters: Minneapolis

International Offices: Belgium, China, Japan, Korea

GRACO INC. P.O. BOX 1441 MINNEAPOLIS, MN 55440-1441

Copyright 2008, Graco Inc. is registered to I.S. EN ISO 9001

www.graco.com

Revised August 2016