

Operating Instructions

Series 30000 Hose Reels

4 Way Roller Guides

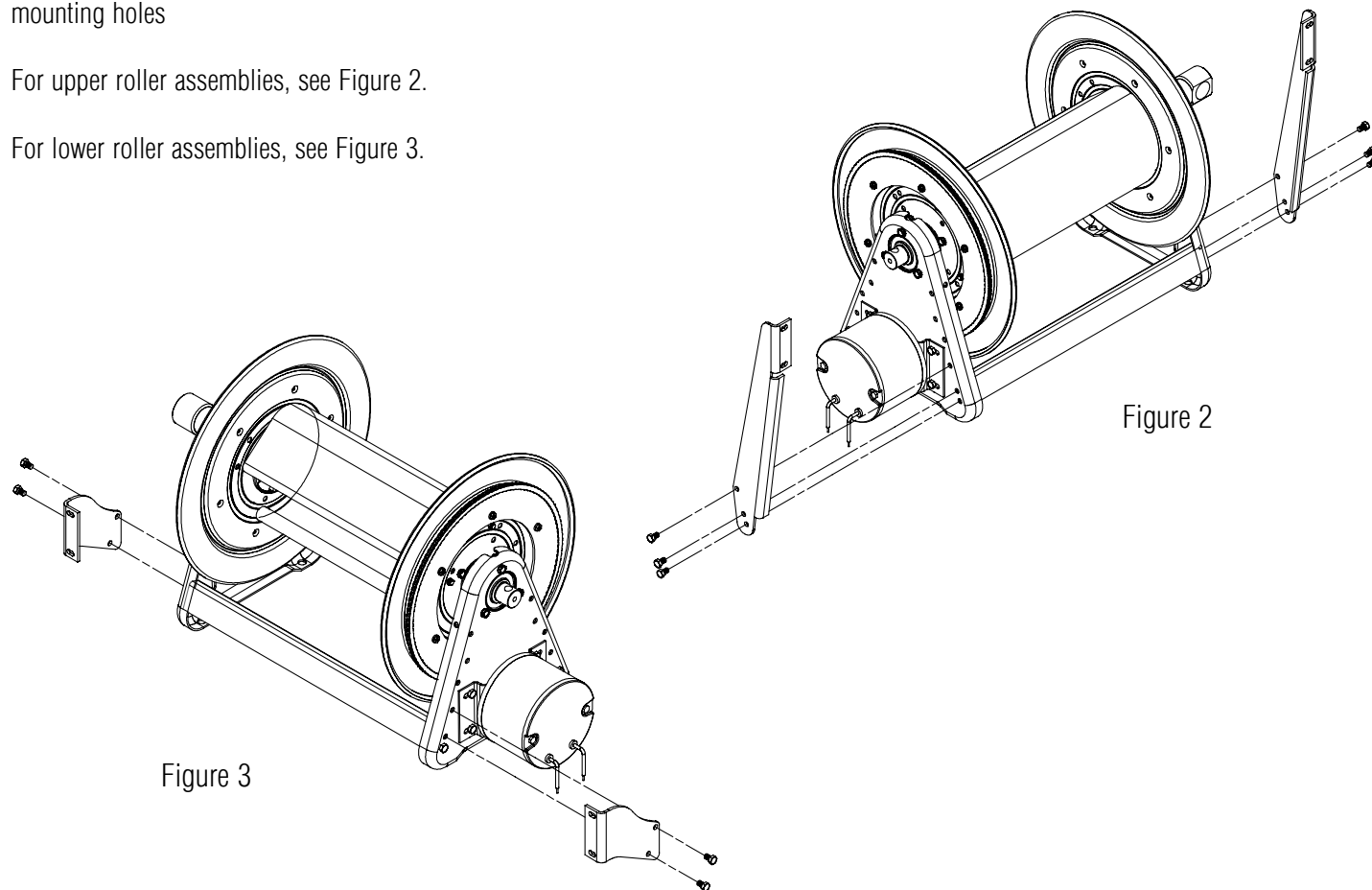
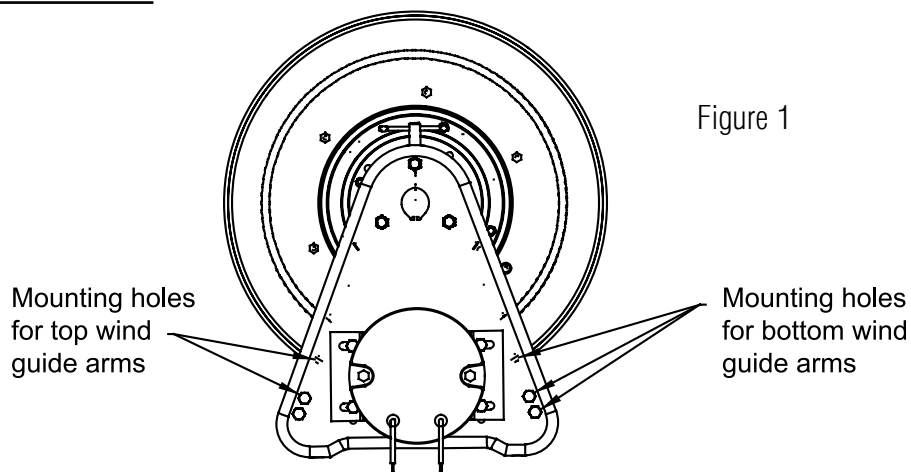
Step 1:

Unpack and inspect all components for damage. Note the way the hose pulls off of the reel. The upper rollers are to be used on the side of the reel that the hose pulls from the top of the spool. The lower rollers are to be used on the side of the reel that the hose pulls from beneath the spool.

Attach the Guide arm brackets to the reel with the supplied 5/16" dia by 3/4" bolts and 5/16" nuts. See figure 1 for placement on the reel, and the location of the mounting holes

For upper roller assemblies, see Figure 2.

For lower roller assemblies, see Figure 3.



Form# 1117-702 Rev: 5/2013

Step 2:

Align one of the roller assemblies to the bottom slots on the guide arm. Be sure the holes in the sides of the post face up. Attach the bottom roller assembly to the guide arm brackets with the supplied 5/16" dia by 1/2" bolts, as shown in Figure 4 (upper) and Figure 5 (lower). Insert the 2 1/2" long shafts into the holes of the posts of the lower roller assembly, then place the short rollers on these shafts. Align the upper roller assembly to these shafts, and attach it to the guide arm brackets with the supplied 5/16" dia by 1/2" bolts.

Figure 6 shows the completed upper roller.

Figure 7 shows the completed lower roller assembly.

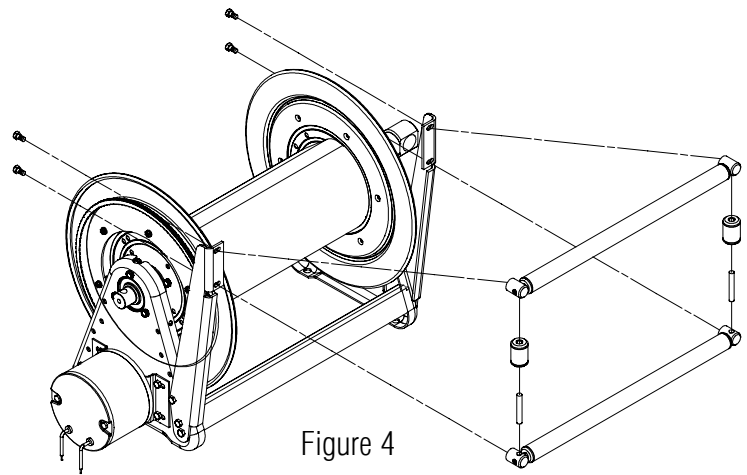


Figure 4

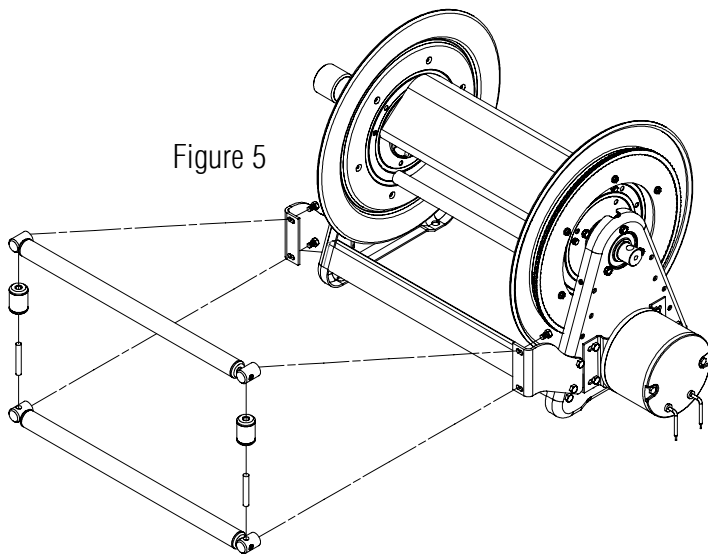


Figure 5

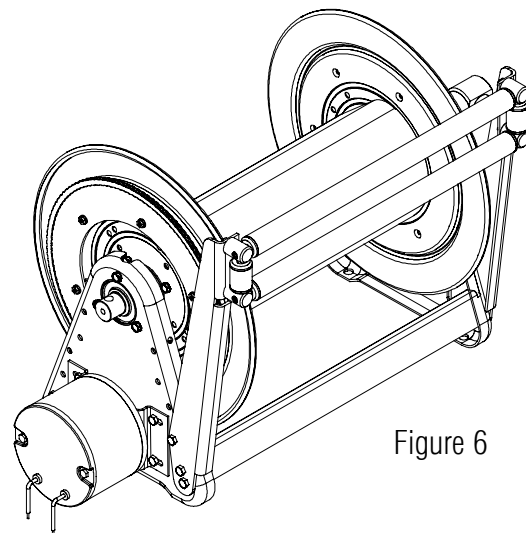


Figure 6

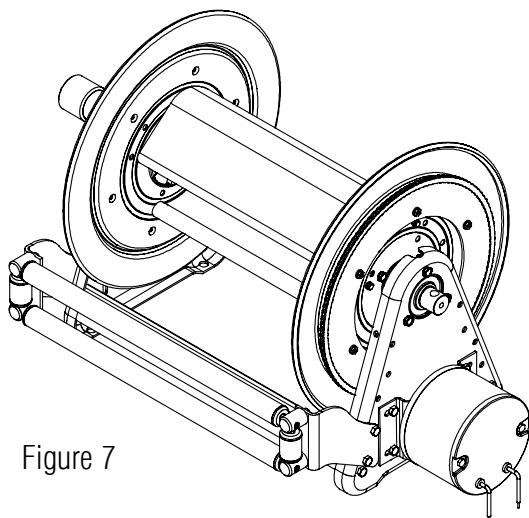


Figure 7

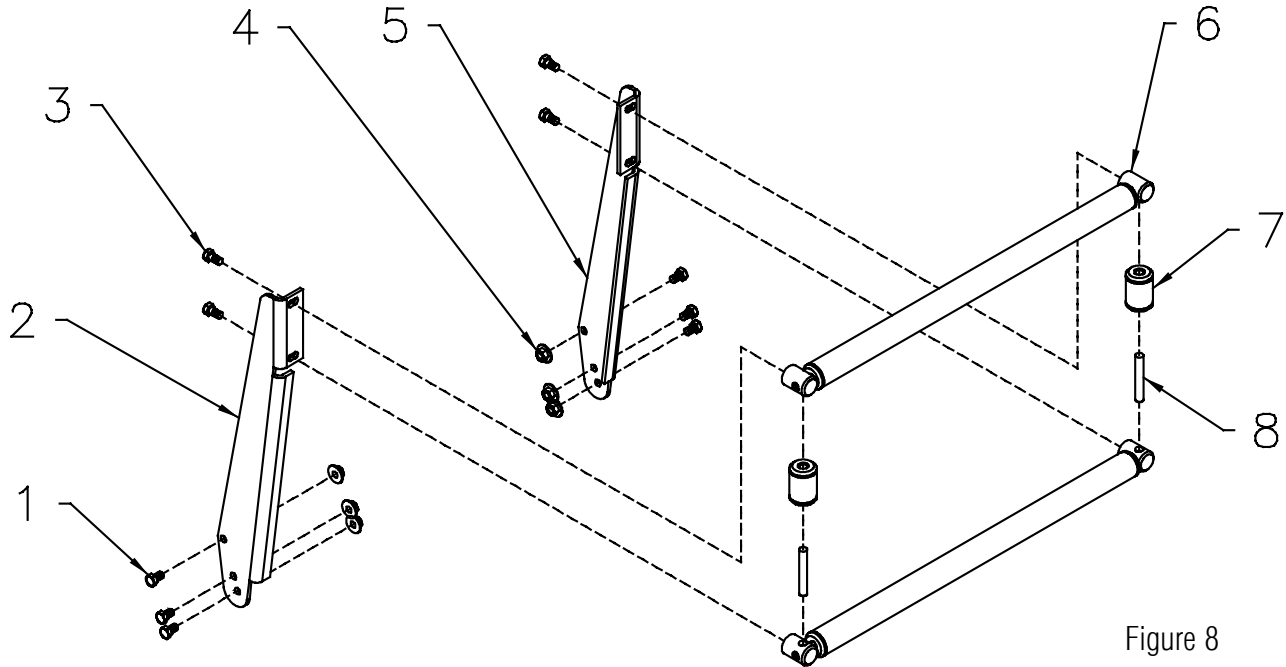


Figure 8

Top Wind Roller Parts List
*See Figure 8

Item #	Part #	# Req.	Description
1	S2-53	6	Bolt, 5/16-18 x 3/4"
2	261639-2	1	Guide Arm, Left
3	S2-51	4	Bolt, 5/16-18 x 1/2"
4	300107	6	5/16" Lock Nut
5	261639-1	1	Guide Arm, Right
6	By Model	2	Roller Assembly
7	S602131-9	2	Short Roller Stainless Steel
7	262436-1.874	2	Short Roller UHMW PE
8	260825-1	2	Roller Shaft

Reel Spool Width	6"	12"	18"	22"	28"
Top Wind Stainless Steel Model No.	S600692-1	S600692-2	S600692-3	S600692-4	S600692-5
Top Wind UHMW PE Model No.	S600692-1U	S600692-2U	S600692-3U	S600692-4U	S600692-5U
Bottom Wind Stainless Steel Model No.	S600693-1	S600693-2	S600693-3	S600693-4	S600693-5
Bottom Wind UHMW PE Model No.	S600693-1U	S600693-2U	S600693-3U	S600693-4U	S600693-5U
Roller Stainless Steel No. (Item #6)	600503-5	600503-6	600503-7	600503-8	600503-9
Roller UHMW PE No. (Item #6)	600503-5U	600503-6U	600503-7U	600503-8U	600503-9U

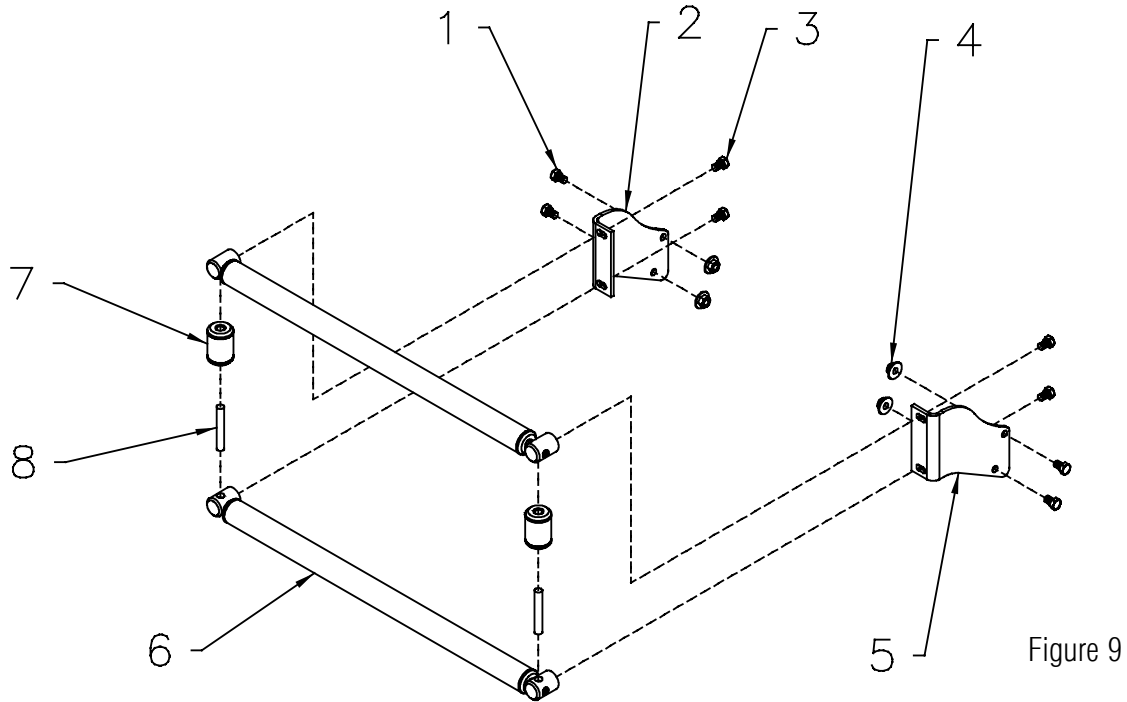


Figure 9

Bottom Wind Roller Parts List
***See Figure 8**

Item #	Part #	# Req.	Description
1	S2-53	4	Bolt, 5/16-18 x 3/4"
2	261638-2	1	Guide Arm, Left
3	S2-51	4	Bolt, 5/16-18 x 1/2"
4	300107	4	5/16" Lock Nut
5	261638-1	1	Guide Arm, Right
6	By Model	2	Roller Assembly
7	S602131-9	2	Short Roller Stainless Steel
7	262436-1.874	2	Short Roller UHMW PE
8	260825-1	2	Roller Shaft