



# ***SAFEWAZE***

## **42” Beam Stanchion For Horizontal Lifelines**



Meets OSHA 1926.502 and 1910.140 Requirements  
This manual is intended to meet the Manufacturer's Instructions as required by the American National Standards Institute (ANSI) Z359 and should be used as part of an employee training program as required by the Occupational Safety and Health Act (OSHA).

## Table of Contents

1	GENERAL WARNINGS.....	3
2	INTRODUCTION AND SCOPE OF USE.....	4
3	APPLICABLE SAFETY STANDARDS.....	4
4	WORKER CLASSIFICATIONS.....	4
5	PRODUCT SPECIFIC APPLICATIONS.....	5
6	LIMITATIONS.....	5
7	CONNECTIONS .....	6-7
8	SPECIFICATIONS .....	7-8
9	INSTALLATION AND USE.....	9-14
10	STANCHION COMPONENTS .....	13-14
11	BEAM CLAMP SIZING CHART & SPECS .....	15
12	BEAM LOAD REQUIREMENTS TABLE.....	16
13	INSPECTION AND MAINTENANCE .....	17
14	INSPECTION LOG .....	18
15	LABELS .....	19



These instructions must be provided to any person utilizing this equipment. The worker must read and understand the manufacturer's instructions for this, and all other components of the complete Fall Protection System. These instructions must be followed for the proper use, maintenance, and inspection of this equipment. These instructions must be kept and made available to worker's at all times. Any alteration, misuse, or use of this equipment outside the scope of the manufacturer's instructions, may result in serious injury or death.

This product is part of a complete fall protection system. This Stanchion product can be used in conjunction with any Safewaze HLL's offered, or other HLL systems so long as that system's anchor requirements are below 4,000 lbs in order to meet the 2 to 1 safety factor on this 8,000 lbs. anchor point. User's must utilize, and connect to a Safewaze HLL system with ANSI Z359 compliant restraint or Personal Fall Arrest Systems (PFAS). This product is not designed, nor should be used as a component for a Positioning, Suspension, or Rescue System. A PFAS is typically composed of a Full Body Harness, Anchorage, and a Connecting Device. Connecting Devices used with Safewaze HLL's are Energy Absorbing Lanyards (EAL's) or a Self Retracting Device (SRD). The connection point to the FBH for use of a Safewaze HLL is the Dorsal D-ring.

A comprehensive Fall Protection Plan must be kept on file and available to all employees at all times. The employer and user's of this equipment must be properly trained in the installation, use, inspection, and maintenance of this equipment.

Consult your doctor if there is reason to doubt your fitness to safely absorb the shock from a fall arrest. Age and fitness seriously affect a worker's ability to withstand falls. Pregnant women or minors must not use this equipment. Failure to heed this warning may result in serious injury or death.

The maximum weight capacity of this equipment is 310 lbs. (including tools and equipment) as specified by ANSI. Certain Safewaze products mentioned in this manual may have maximum weight capacities in excess of 310 lbs. Although certain components of the overall Personal Fall Arrest System may have weight weight capacities in excess of 310 lbs., use of the Safewaze Stanchion in a Horizontal Lifeline System limits the weight of each user to 310 lbs.

User's of this equipment must read and understand this manual in it's entirety prior to use.

Contact Safewaze if you have questions, regarding compatibility of this equipment, that are not covered in this manual. Do not alter or misuse this equipment. Some subsystem components could affect the performance and the operation of this equipment. Do not anchor this product to moving machinery, or hazards that have chemical, electrical or gaseous characteristics. Failure to comply with this warning could result in serious injury or death.

## Introduction & Scope of Use

Thank you for purchasing a Safewaze Stanchion for Horizontal Lifelines (HLL). This manual must be read and understood in its entirety, and used as part of an employee training program as required by OSHA or any applicable state agency.

This manual and any other instructional material must be available to the user of the equipment. The user must understand how to safely and effectively use the Safewaze Stanchion, and all fall protection equipment used in conjunction with the stanchion.

The Safewaze Stanchion has been designed for your safety. These stanchions, when used in conjunction with HLL systems are designed to offer users a flexible and easily removable anchor point.

## Applicable Safety Standards and Regulations

### ANSI STANDARDS

ANSI	Z359.0	Definitions and Nomenclature Used for Fall Protection and Fall Arrest
ANSI	Z359.1	Safety Requirements for Personal Fall Arrest Systems, Subsystems, and Components
ANSI	Z359.2	Minimum Requirements for a Comprehensive Managed Fall Protection Program
ANSI	A10-14	Safety Requirements for Safety Belts, Harnesses, Lanyards, and Lifelines for Construction and Demolition Use
ANSI	A10.32	Personal Fall Protection use in Construction and Demolition

### OSHA REGULATIONS

OSHA	1910.66	Personal Fall Arrest Systems
OSHA	1926.502	Fall Protection Systems Criteria and Practices

## Worker Classifications



Understand the definitions of those who work in proximity of or may be exposed to fall hazards.

**Qualified Person:** A person with an accredited degree or certification, and with extensive experience or sufficient professional standing, who is considered proficient in planning and reviewing the conformity of fall protection and rescue systems.

**Competent Person:** A highly trained and experienced person who is **assigned by the employer** to be responsible for all elements of a fall safety program, including, but not limited to, its regulation, management, and application. A person who is proficient in identifying existing and predictable hazards, and who has the authority to stop work in order to eliminate hazards.

**Authorized Person:** A person who is assigned by their employer to work around or be subject to potential or existing fall hazards.

**It is the responsibility of a Qualified or Competent person to supervise the job site and ensure safety regulations are complied with.**

## Product Specific Applications

**Personal Fall Arrest:** Safewaze Stanchions, when installed as part of a HLL System, can be used as part of a complete Personal Fall Arrest System (PFAS). The maximum number of users is dictated by the Safewaze HLL system being utilized with the stanchions. The structure utilized for attachment must be capable of withstanding a load of 5,000 lbs in all directions permitted by the system. The maximum allowable free fall is 6 ft, with the maximum combined length of the fall arrester, lanyard extension, and D-ring being 36 inches.

## Limitations

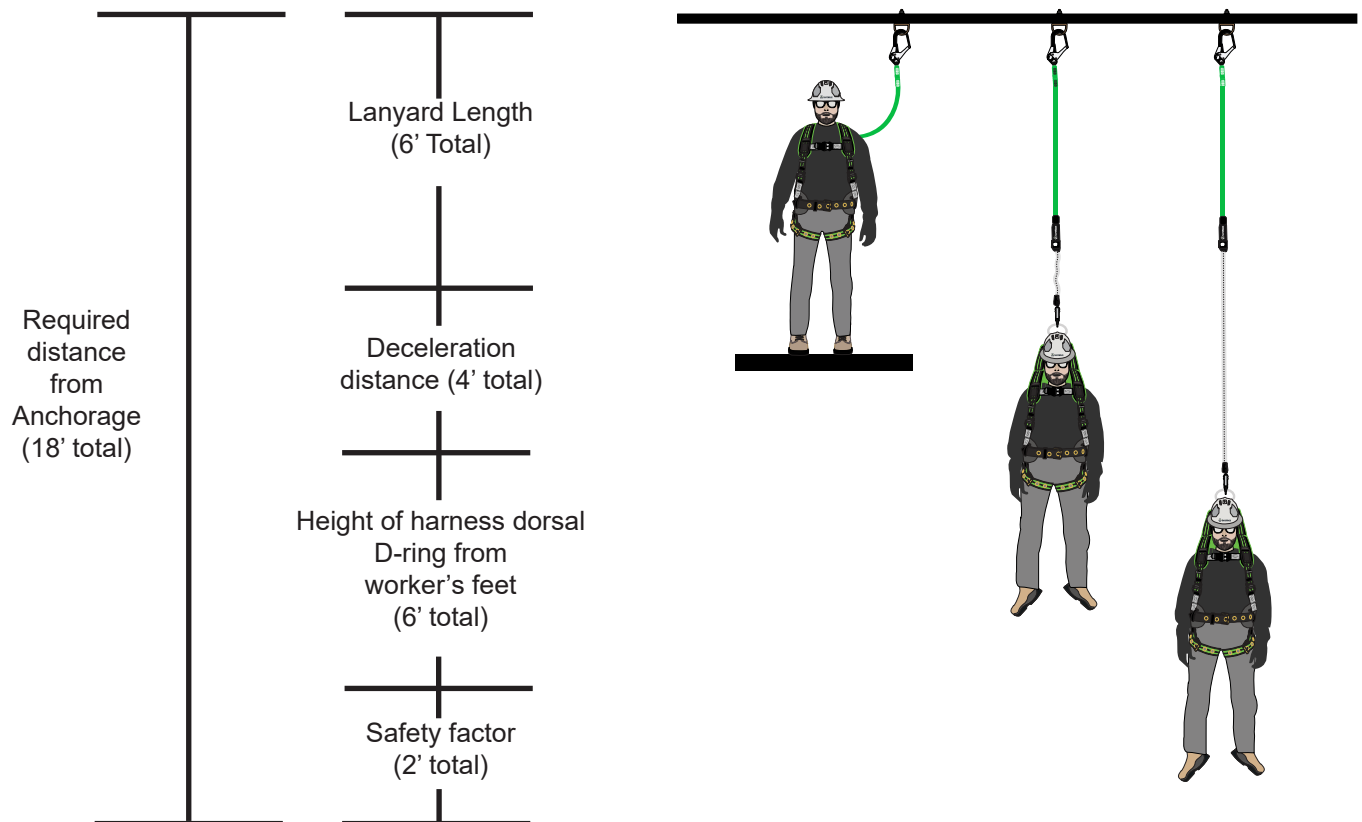
**Fall Clearance:** There must be sufficient clearance below the anchorage connector to arrest a fall before the user strikes the ground or an obstruction. When calculating fall clearance, account for a MINIMUM 2' safety factor, deceleration distance, user height, length of lanyard/SRL, and all other applicable factors (See Figure 1).

**Fig. 1**

**For all applications: worker weight capacity range (including all clothing, tools, and equipment) is 130-310 lbs**

### Fall Clearance Diagram

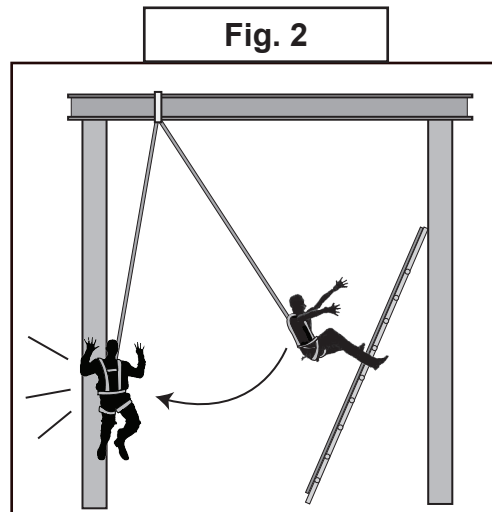
\*\*\*Diagram shown is an example fall clearance calculation ONLY.



**\*\*USER SHOULD REFER TO HLL INSTRUCTIONS FOR PROPER CLEAR FALL SPECIFICS\*\***

## Connections

**Swing Falls:** Prior to installation or use, make considerations for eliminating or minimizing all swing fall hazards. Swing falls occur when the anchor is not directly above the location where a fall occurs. Always work as close to in line with the anchor point as possible. Swing falls significantly increase the likelihood of serious injury or death in the even of a fall. (See Figure 2)



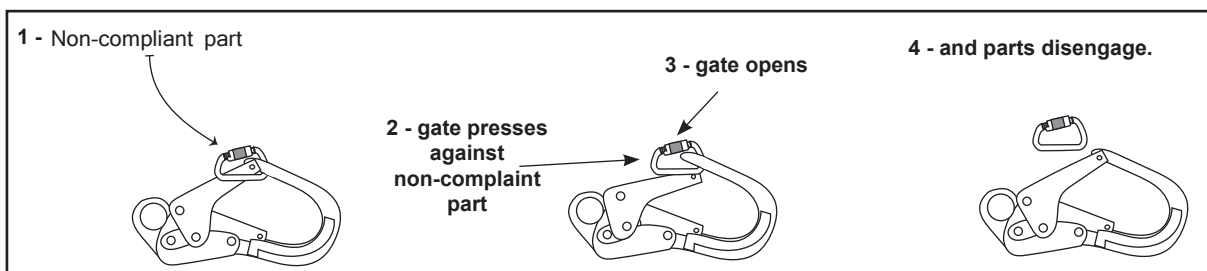
### COMPATIBILITY OF CONNECTIONS

Connectors are compatible with connecting elements when they have been designed to work together in such a way that their sizes and shapes do not cause their gate mechanisms to inadvertently open regardless of how they become oriented. Connectors (hooks, carabiners, and D-rings) must be capable of supporting at least 5,000 lbs. (22.2 kN). Connectors must be compatible with the anchorage or other system components (see Figure 4). Do not use equipment that is not compatible. Non-compatible connectors may unintentionally disengage (see Figure 3). Connectors must be compatible in size, shape, and strength. Self-locking snap hooks and carabiners are required by ANSI Z359 and OSHA guidelines. Contact Safewaze if you have any questions about compatibility.



**NOTE:** SOME SPECIALITY CONNECTORS HAVE ADDITIONAL REQUIREMENTS. CONTACT Safewaze WITH QUESTIONS.

**Fig. 3 - UNINTENTIONAL DISENGAGEMENT**



Using a connector that is undersized or irregular in shape (1) to connect a snap hook or carabiner could allow the connector to force open the gate of the snap hook or carabiner. When force is applied, the gate of the hook or carabiner presses against the non-compliant part (2) and forces open the gate (3). This allows the snap hook or carabiner to disengage (4) from the connection point.

## MAKING CONNECTIONS

Snap hooks and carabiners used with this equipment must be double locking and/or twist lock. Ensure all connections are compatible in size, shape and strength. Do not use equipment that is not compatible. Ensure all connectors are fully closed and locked.

Safewaze connectors (snap hooks and carabiners) are designed to be used only as specified in each product's user's instructions. See Fig. 4 for examples of inappropriate connections. Do not connect snap hooks and carabiners:

- To a D-ring to which another connector is attached.
- In a manner that would result in a load on the gate (with the exception of tie back hooks).

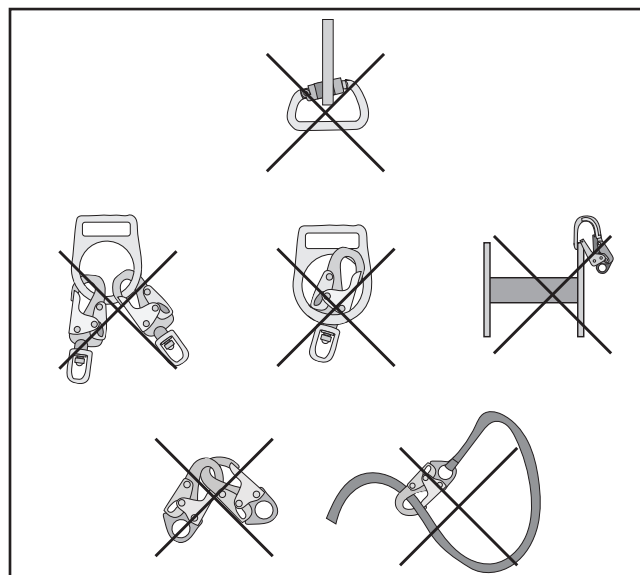


**NOTE:** Large throat snap hooks must not be connected to standard size D-rings or similar objects which will result in a load on the gate if the hook or D-ring twists or rotates, unless the snap hook complies with ANSI Z359.12 and is equipped with a 3,600 lb (16 kN) gate. Check the marking on your snap hook to verify that it is appropriate for your application.

- In a false engagement, where features that protrude from the snap hook or carabiner catch on the anchor, and without visual confirmation seems to be fully engaged to the anchor point.
- To each other.
- By wrapping the web lifeline around an anchor and securing to lifeline except as allowed for Tie Back models.
- To any object which is shaped or sized in a way that the snap hook or carabiner will not close and lock, or that roll-out could occur.
- In a manner that does not allow the connector to align properly while under load.

## Specifications

**Fig. 4 - INAPPROPRIATE CONNECTIONS**



Care should be taken to avoid moving machinery, and chemical or electrical hazards during installation of the stanchion. Contact with such hazards may cause serious injury or death.

Weight capacities defined in this manual for the stanchion and HLL systems must be adhered to in order to avoid possible failure of the system.

The stanchion and any other associated PFAS subsystems must be removed from service if exposed to Fall Arrest Forces.

Contact Safewaze if using this equipment in a manner, or in combination with other equipment, not specifically defined in this manual.

Avoid sharp or abrasive surfaces.

Electrical hazards must be avoided. Potential Arc Flash from arc welding operations, as well as accidental Arc Flash from electrical equipment, can damage equipment and cause serious injury or death.

Never use combinations of components or subsystems that may affect, or interfere with the safe function of each other.

The Safewaze Stanchion, Horizontal Lifeline system, and its subsystems, must be inspected prior to each use for:

- Wear, damage, and other deterioration.
- All snaphooks and carabiners must be able to self-close and lock.
- Check the operation of self retracting lanyards by pulling smoothly on the lifeline, then pull sharply on the lifeline to engage the locking mechanism.
- All rope / wire rope must be inspected for tears, cuts, fraying, abrasion, unsplicing, discoloration, corrosion, heat damage, bird caging, burrs, kinks, or other signs of wear and damage.
- Sewn terminations should be secure, complete, and not visibly damaged.
- All rope splices / cable connections should be secure.
- Systems used with the Safewaze stanchion must be properly tensioned per system instructions.
- No load indicators shall be deployed.
- Damaged and other deteriorated and defective components must be immediately removed from service, in accordance with the requirements of OSHA 29 CFR 1910.66 and 1926.502.



**WARNING:** The Safewaze Stanchion is NOT designed for use as a single point connection for an individual PFAS system. Never attach a PFAS system directly to the stanchion for individual use as this may cause improper loading of the stanchion, resulting in damage to, or failure of, the stanchion. The Safewaze Stanchion for Temporary Lifelines is designed for use with all Safewaze Horizontal Lifeline Systems unless an Intermediate Stanchion is required. If an Intermediate Stanchion is utilized, a cable HLL system must be installed.



## Installation and Use

### Before Each Use

Users of personal fall arrest systems must have a rescue plan in place, if the user cannot rescue themselves, as well as the means to carry out the rescue.

The user must read and understand these User Instructions, as well as the User Instructions for every component/subsystem of the personal fall arrest system.

The Safewaze Stanchion is available with 2 different clamp sizes from 4" minimum to either 18" or 24" maximum. The stanchion secures to the top flange of an I-Beam. The stanchion will fit a maximum flange thickness of 2-1/4". Installation of two stanchions in line on an I-Beam provides an attachment / anchorage point for Safewaze Horizontal Lifeline Systems. Some Safewaze Horizontal Lifeline systems allow for intermediate stanchions to be installed along the Horizontal Lifeline span to provide stability and possible reduction of required fall clearances. In the event an intermediate post is required, an intermediate post pass through assembly (Part # 019-8039) is available, which does not require a user to disconnect from the system to pass by the intermediate stanchion.



**WARNING:** If utilizing an intermediate post with a Rope HLL, the user should pay special attention when inspecting the rope lifeline. Use of the intermediate stanchions with a Rope HLL system could enhance wear of the lifeline component. Additional inspection of the rope lifeline is required at intermediate post attachments.

All components of the stanchion must be inspected prior to installation and before each use. During pre-use inspection, all mounting bolts, and the wing-nut should be re-tightened to ensure proper installation of the stanchion. Additionally the stanchion must be inspected by a Competent Person on an annual basis. Recording of inspections can be completed on the inspection grid of the stanchion's label. Inspections can also be recorded in the Inspection Log on Page 17 of this manual.

Safewaze horizontal lifeline stanchions are designed to be installed on horizontal steel beams that are straight with no bends. When installed, the stanchion provides a 42" connection height from the top surface of the beam.

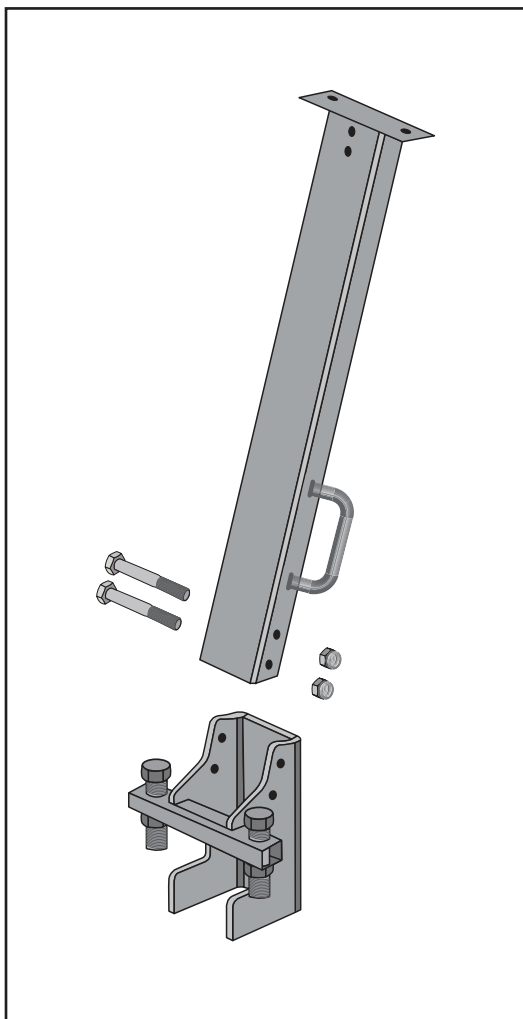
When installing the Safewaze stanchions with Safewaze Horizontal Lifelines, the user must pay close attention to the instructions provided with each particular Horizontal Lifeline System. Each Safewaze Horizontal Lifeline system has unique characteristics in regards to the maximum number of users, required fall clearances, and dynamic sag. Each Safewaze HLL system must be installed per the manufacturer's instruction manual provided with the system.

If multiple user's are connected to the HLL system simultaneously (See specific HLL instructions for maximum number of user's allowed), the user's must be aware that in the event of a fall by one worker, the other individuals connected to the system could also be pulled off of the working surface as the lifeline deflects. It is recommended that each person has an independent HLL system, or that shorter span lengths are used to minimize the potential for other worker's falling.

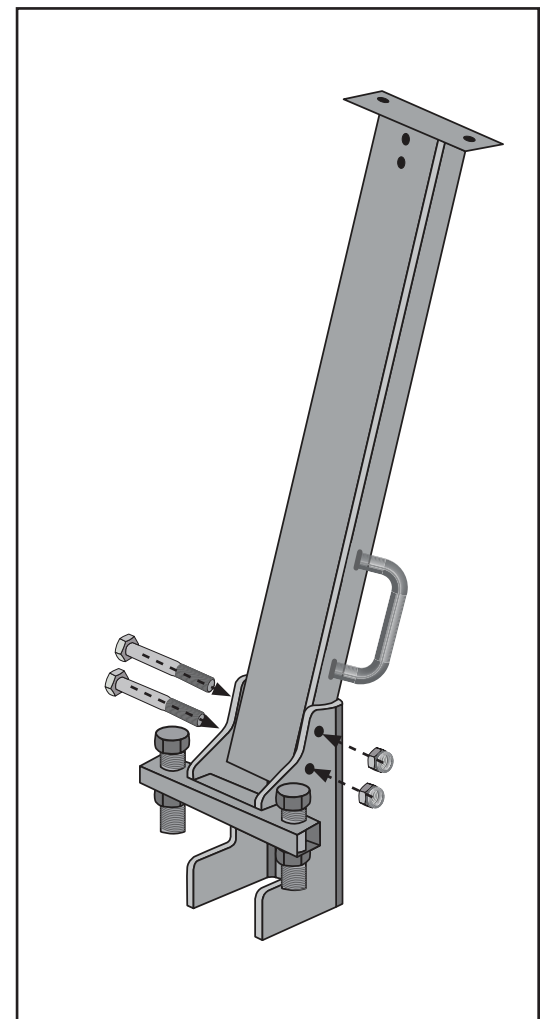
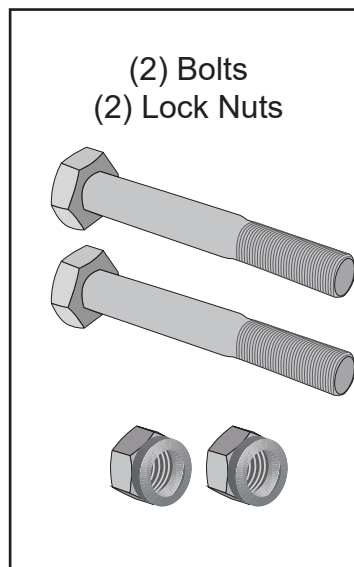
Specific information such as fall clearances, maximum span length, maximum number of users, and other technical data is included in the individual HLL system instruction manuals. The maximum Horizontal Lifeline span length for use with the Safewaze Stanchions is 60 ft. The span length can be increased with the use of intermediate stanchions to create multiple spans.

Unpackage the upright and base. Inspect both components to ensure no damage has occurred during shipment (See Fig.5). Unpackage the provided bolts and lock nuts to be used for assembly. Slide upright into base and align holes in each component. Insert stanchion bolts through the assembly (See Fig. 6). Thread a lock nut onto the end of each stanchion bolt and tighten to ensure secure fit.

**Fig. 5**

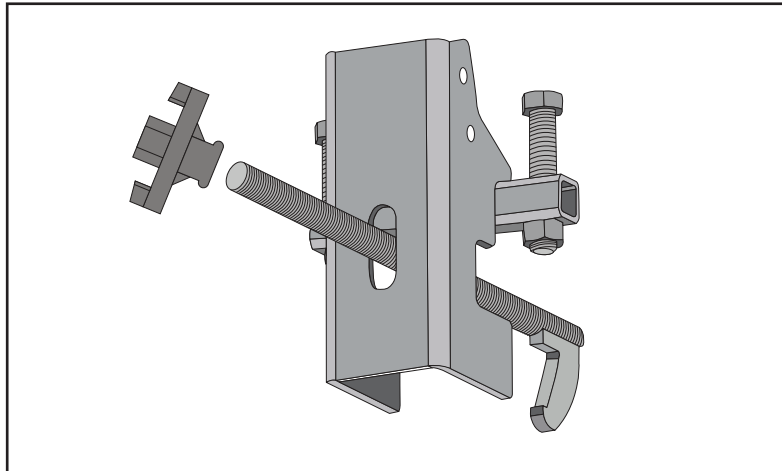


**Fig. 6**



Insert threaded end of clamp assembly through the pre cut slot in base. Loosely thread the wing nut onto the end of the clamp assembly (See Fig. 7).

**Fig. 7**



Place entire assembly on top surface of I-Beam at desired installation location. Capture top of I-Beam with the clamp assembly on one side, and the slotted portion of the base assembly on the other side. Tighten the clamp assembly to the top of the I-Beam by rotating the wing nut in a clockwise direction until secure (See Fig 8-A). When hand tight, strike the wing nut with a hammer or further tighten with an adjustable wrench to ensure stanchion is secured to I-Beam. Tighten the mounting bolts down onto top of I-Beam to secure the stanchion into place (See Fig 8-B). Install Cotter Pin through end of Beam Clamp. Installed assembly should appear as indicated in Fig. 9 (See Page 12).

**Fig. 8**

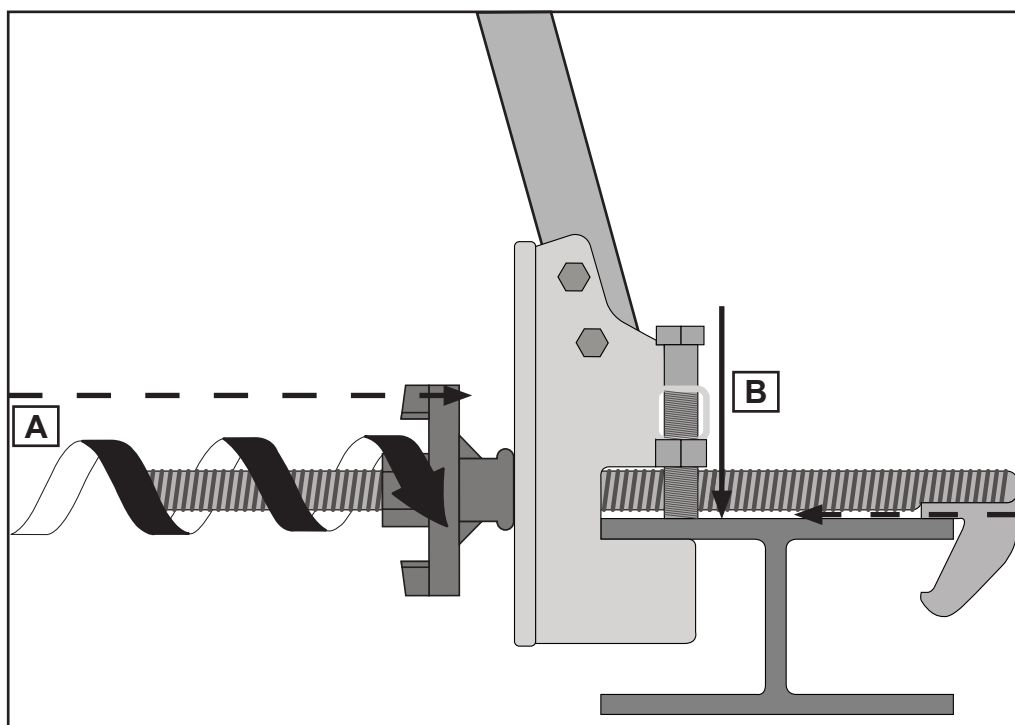
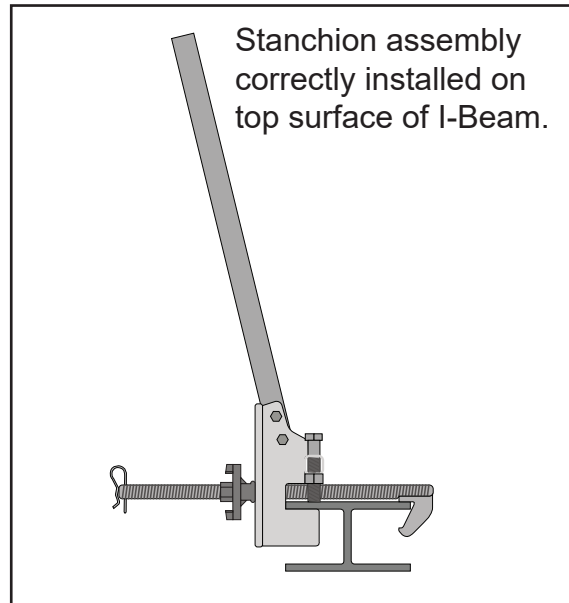
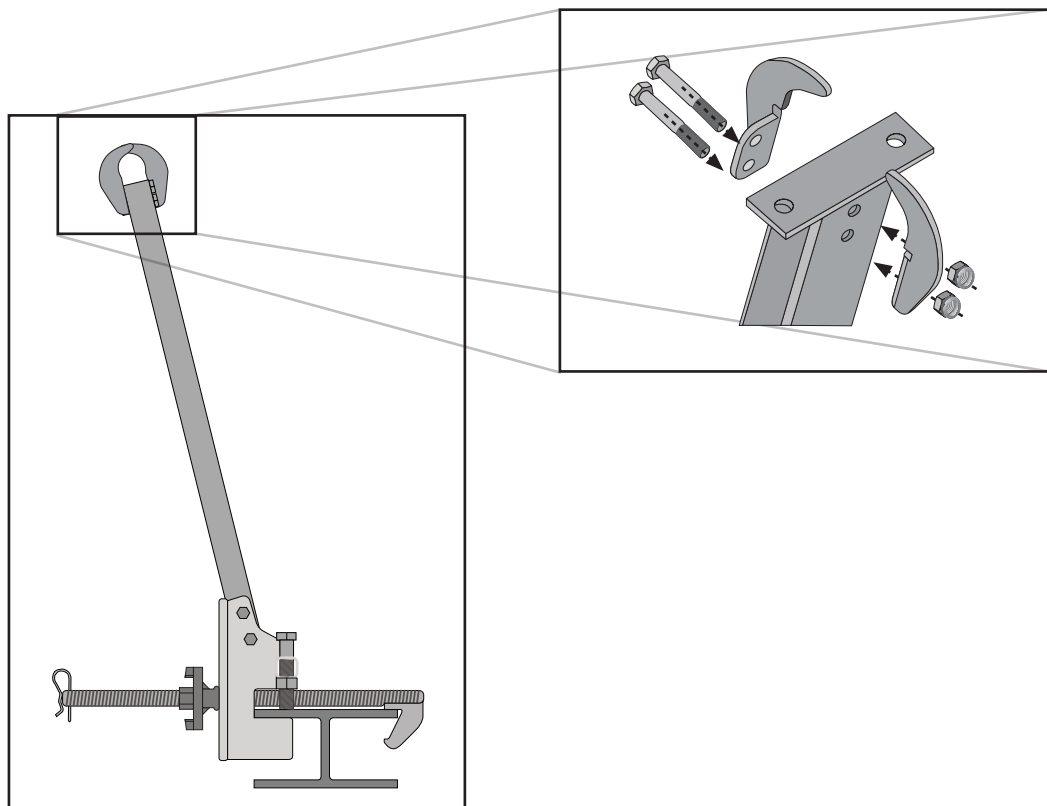


Fig. 9



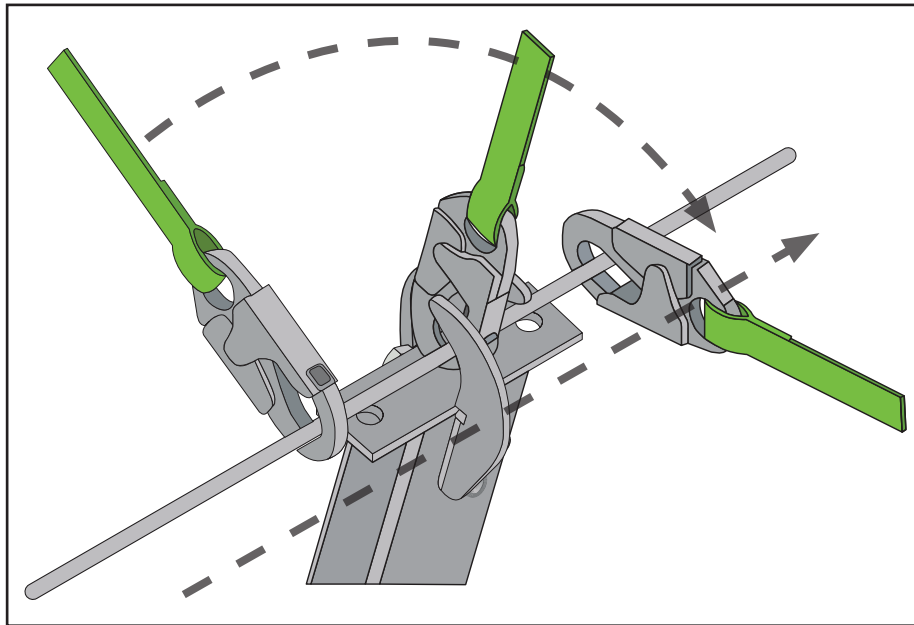
If stanchion is to be used as an intermediate post, the intermediate pass through bracket must be installed. At the top of the upright, align the pre-drilled holes in the pass through bracket with the pre-drilled holes in the stanchion (See Fig. 10). Insert the provided bolts through the holes and thread the locking nuts onto the end of the bolts. Tighten until pass through bracket is secure to the top of the upright.

Fig. 10



As the user reaches an intermediate stanchion, pass the snap hook under the first side of the intermediate bracket. When the snap hook is between both sides of the intermediate bracket, rotate the snap hook to the other side of the Horizontal Lifeline, and pass the snap hook under the other side of the intermediate bracket (See Fig 11). There is no need to disconnect the snap hook from the Horizontal Lifeline.

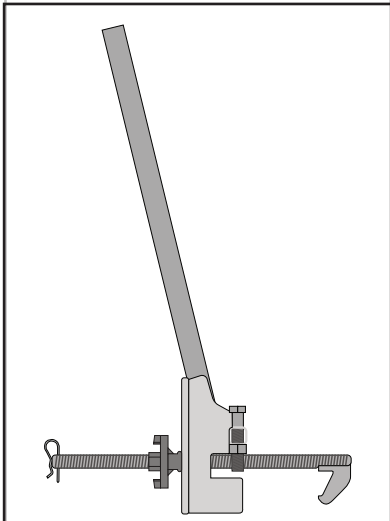
Fig. 11



## Stanchion Components and Part Numbers

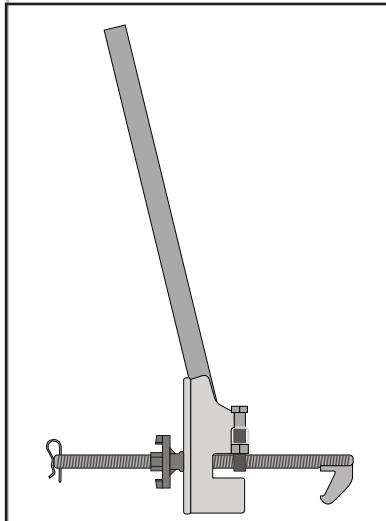
**020-8060**

Complete Assembly for  
I-Beams 4" to 12"



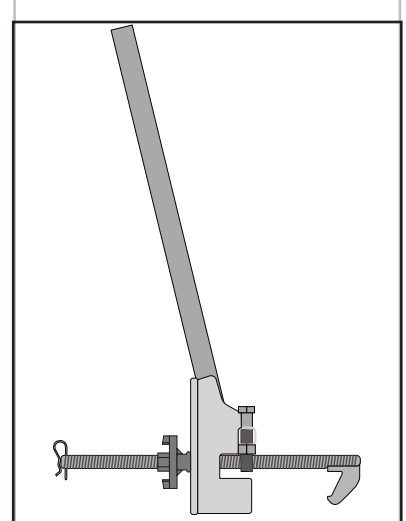
**019-8038**

Complete Assembly for  
I-Beams 4" to 18"

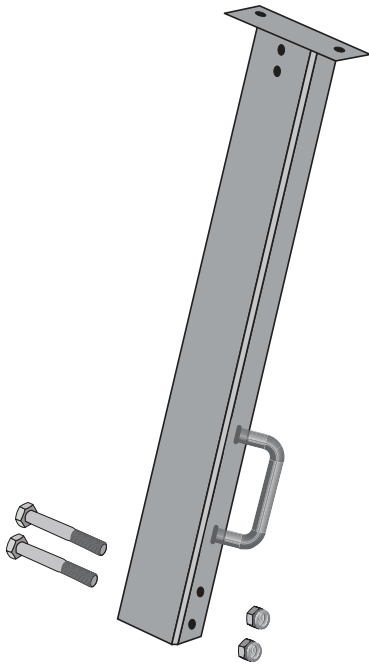


**019-8046**

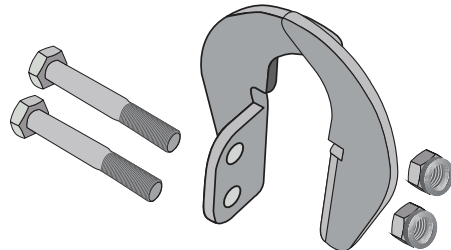
Complete Assembly for  
I-Beams 4" to 24"



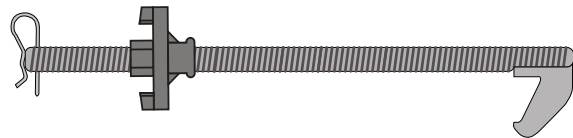
**019-8040**  
I-Beam  
Upright



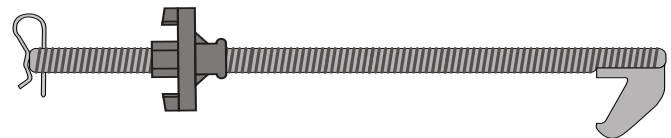
**019-8039**  
Upright Pass Through  
Bracket



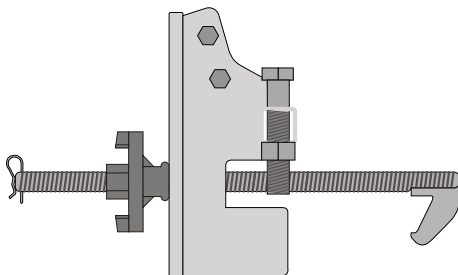
**019-8045**  
I-Beam Clamp for I-Beams 4" to 18"



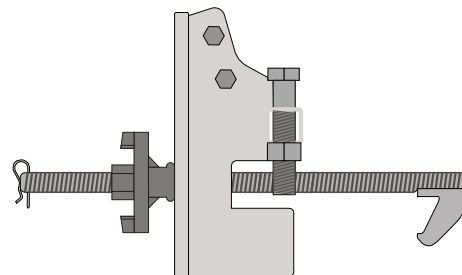
**019-8042**  
I-Beam Clamp for I-Beams 4" to 24"



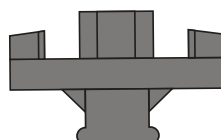
**019-8047**  
Base for I-Beams 4" to 18"



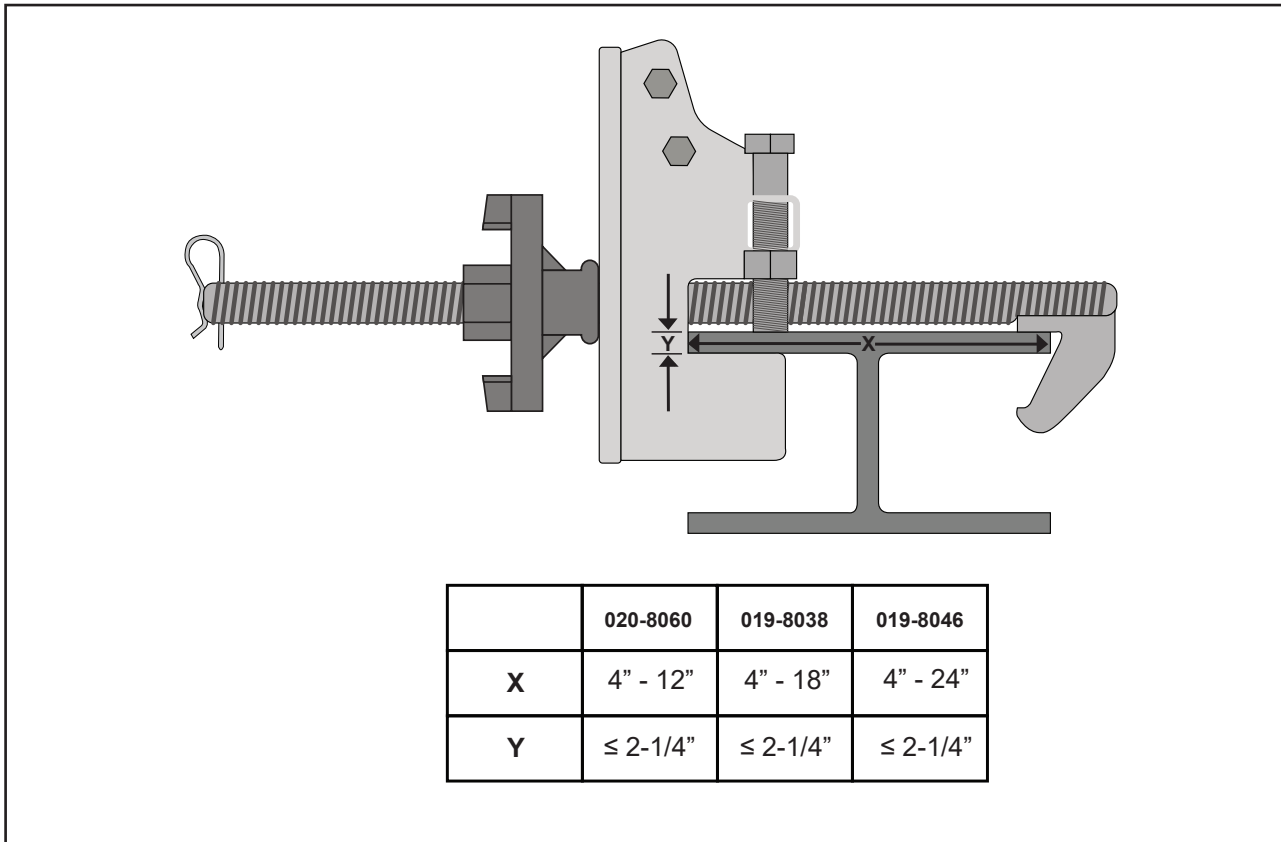
**019-8041**  
Base for I-Beams 4" to 24"



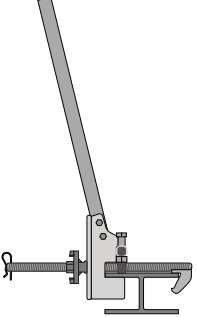
**019-8043**  
I-Beam Clamp Wing Nut



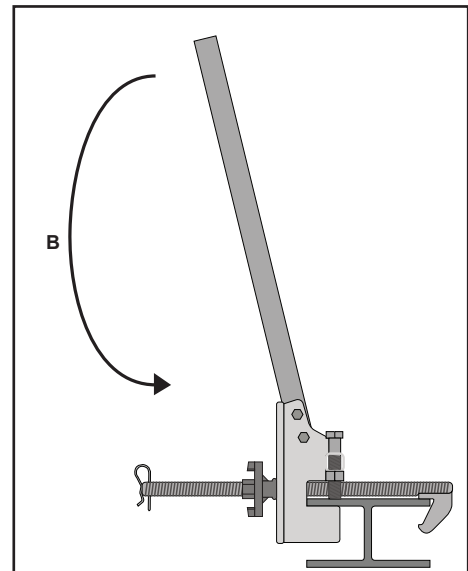
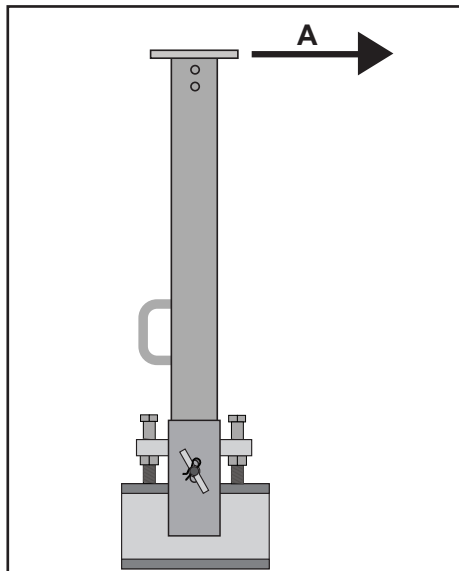
## Beam Clamp Sizing Diagram



## Specifications Table

Part #	Minimum Tensile Strength and Material	Maximum User Capacity	Standards and Regulations	I-Beam Stanchion
<b>020-8060</b> I-Beams 4"-12" Width	8,000 lbs. Minimum Tensile Strength	Refer to SafeWaze HLL Instruction Manuals	OSHA 1926.502 OSHA 1910.140	
<b>019-8038</b> I-Beams 4"-18" Width	Stanchion Upright: Steel			
<b>019-8046</b> I-Beams 4"-24" Width	Stanchion Base: Steel			
	Fasteners: Grade 5			

## Beam Load Requirements - End Anchor Stanchions



Safewaze HLL System	Part Number	Configuration	A	B
2 Person Kernmantle HLL	019-8000 019-8001 019-8002 019-8003	1 Worker	2,800 lbs.	1,500 ft-lbs.
		2 Workers	5,400 lbs.	3,000 ft-lbs.
4 Person Double Braid Rope HLL	019-8012 019-8013 019-8014 019-8015	1 Worker	3,400 lbs.	1,500 ft-lbs.
		2 Workers	5,400 lbs.	3,000 ft-lbs.
2 Person Cable HLL	019-8016 019-8017 019-8018 019-8019	1 Worker	5,400 lbs.	1,500 ft-lbs.
		2 Workers	6,600 lbs.	3,000 ft-lbs.
4 Person Cable HLL	FS-EX10000 FS-EX10500	1 Worker	2,000 lbs.	1,500 ft-lbs.
		2 Workers	4,000 lbs.	3,000 ft-lbs.



## Inspection and Maintenance

### Inspection

Inspect the stanchion for corrosion and/or damage.

Check the upright and base for signs of distortion or deformation.

Inspect stanchion assembly bolts and nuts prior to each use, and re-tighten as needed.

Inspect all components of HLL system per the manufacturer's instructions.

### Frequency

All components of the Safewaze stanchion assembly must be inspected prior to each use, and annually by a "competent person" (other than the user), as defined by OSHA.

### Criteria

If inspection reveals any defect, inadequate maintenance, or unsafe condition, remove from service until a "qualified person" as defined by OSHA 1926.32(m) can determine the need for authorized repair or disposal.

### Maintenance

Any Safewaze stanchion components requiring maintenance must be tagged "unusable" and removed from service. Bolts and lock nuts can be replaced if necessary by the user so long as equivalent to those provided during shipment.

Cleaning maintenance may be performed by the user.

Repairs to the product may only be made by the manufacturer or entities authorized in writing by the manufacturer.

**THIS SYSTEM MUST ONLY BE SERVICED BY A TRAINED AND COMPETENT INDIVIDUAL!  
NEVER ATTEMPT TO SERVICE THIS UNIT OR TAMPER WITH ITS FUNCTION IN ANY WAY!**


### Storage

When not installed, the Safewaze stanchion should be stored in a cool, dry place out of direct sunlight. Do not store in areas where damage from environmental factors such as heat, light, excessive moisture, oil, chemicals and their vapors, or other degrading elements may be present. Do not store damaged equipment or equipment in need of maintenance in the same area as product approved for use. Equipment that has been stored for an extended period must be inspected as described in these User Instructions prior to use.

### Inspection Log

DATE	CONDITION OF SYSTEM	INSPECTED BY:

Labels



**SAFEWAZE**

**SAFELINK  
STANCHION**

---

**WARNING**

This product must be used in accordance with the manufacturers instructions provided at shipment. For use only with approved SafeWaze temporary Horizontal Lifeline (HLL) systems. Specific information such as fall clearances, number of users, span length, etc..., for approved HLL systems are included in the individual HLL system instructions. User's must be trained in the use of this product and associated HLL systems. This equipment must be installed and used under the supervision of a Qualified Person. Failure to follow instructions, misuse, or alteration of this product may result in serious injury or death. Use of this equipment near thermal, electrical, chemical or other hazards should be avoided. Do not utilize this equipment if unsafe or hazardous conditions are present. Inspection results should be recorded in the inspection log on this label, and the inspection log located in the instruction manual.

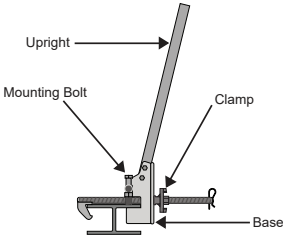
---

DO NOT REMOVE THIS LABEL

---

**INSTALLATION**      SafeLink 42" I-Beam Stanchion

Tighten the clamp to the I-Beam using the supplied wing nut. After hand tightening, strike the wing nut with a hammer, or continue tightening with an adjustable wrench to ensure clamp is secure to I-Beam. Once complete, tighten mounting bolts to top of I-Beam.




---

Model #:

019-8038       019-8040       019-8046

Date of Mfr.: XX/XXXX  
 Serial Number: XXXXXXX

Material: Steel  
 Meets OSHA 1926.502 and 1910.140 Requirements

	JAN	FEB	MAR	APR	MAY	JUN	JUL	AUG	SEP	OCT	NOV	DEC

[www.safewaze.com](http://www.safewaze.com)

019717





***SAFEWAZE***

Safewaze  
225 Wilshire Ave SW  
Concord, NC 28025

PHONE: 1-800-230-0319  
FAX: 1-704-262-9051  
EMAIL: [info@safewaze.com](mailto:info@safewaze.com)

Web: [safewaze.com](http://safewaze.com)



# ***SAFEWAZE***

## **MONTANTE DE 42 PLG. PARA LÍNEAS SALVAVIDAS HORIZONTALES**



Cumple con las normas OSHA 1926.502 y 1910.140

El objetivo de este manual es cumplir las instrucciones del fabricante conforme a la norma Z359 del Instituto Nacional Estadounidense de Normas (American National Standards Institute, ANSI). Este manual debe formar parte de un programa de capacitación de empleados conforme a la Ley de Salud y Seguridad Ocupacional (Occupational Safety and Health Act, OSHA).

# Índice de materias

1. ADVERTENCIAS GENERALES.....	3
2. INTRODUCCIÓN Y USOS.....	4
3. NORMAS DE SEGURIDAD APLICABLES.....	4
4. DENOMINACIONES DE USUARIOS.....	4
5. CONFIGURACIONES ESPECÍFICAS DEL PRODUCTO..	5
6. LIMITACIONES.....	5
7. CONEXIONES.....	6-7
8. ESPECIFICACIONES.....	7-8
9. INSTALACIÓN Y USO.....	9-14
10. COMPONENTES DEL MONTANTE.....	13-14
11. DIMENSIONES Y ESPECIFICACIONES DE LA ABRAZADERA DE VIGA EN I.....	15
12. REQUISITOS DE CARGA DE LA VIGA EN I.....	16
13. INSPECCIÓN Y MANTENIMIENTO.....	17
14. REGISTRO DE INSPECCIONES.....	18
15. ETIQUETAS.....	19

# **ADVERTENCIA**

Toda persona que use este equipo debe tener acceso a una copia de estas instrucciones. El usuario debe leer y entender las instrucciones del fabricante para este y para todos los componentes de este sistema integral de protección contra caídas. El usuario debe seguir estas instrucciones para usar, inspeccionar y mantener correctamente el equipo. Estas instrucciones deben estar siempre a disposición del usuario. Alterar este equipo o usarlo de manera incorrecta o no conforme a las instrucciones del fabricante puede causar lesiones graves o muerte.

Este producto forma parte de un sistema integral de protección contra caídas. Este montante se puede usar con cualquier Línea Salvavidas Horizontal (Horizontal Lifeline, HLL) de Safewaze u otros sistemas de HLL a condición de que los requisitos de anclaje del sistema no superen las 4,000 lbs. para satisfacer el factor de seguridad de 2 a 1 de este anclaje de 8,000 lbs. El usuario debe utilizar y conectarse al sistema de HLL de Safewaze con un dispositivo restrictivo conforme a la norma ANSI Z359 o un Sistema Personal de Parada de Caídas (Personal Fall Arrest System, PFAS). Este producto no ha sido diseñado ni se debe usar como componente de sistema de posicionamiento, suspensión o rescate. Los PFAS se componen generalmente de un Arnés de Cuerpo Entero (Full Body Harness, FBH), un anclaje y un dispositivo de conexión. Los dispositivos de conexión a la línea salvavidas de Safewaze son Cordones Absorbentes de Energía (Energy Absorbing Lanyards, EAL) o Dispositivos Autorretráctiles (Self Retracting Devices, SRD). El FBH se conecta a la HLL de Safewaze por el anillo dorsal en D.

Debe haber siempre un plan integral de protección contra caídas en los archivos de la empresa y a disposición de todos los usuarios. El empleador y los usuarios de este equipo deben estar debidamente capacitados para instalar, usar, inspeccionar y mantener este equipo.

Consulte al médico si duda de que su estado físico le permita absorber con seguridad el impacto de una parada de caída. La edad y el estado físico afectan seriamente la capacidad de soportar caídas. Ni los menores de edad ni las mujeres embarazadas deben usar este equipo. No respetar esta advertencia puede causar lesiones graves o muerte.

De conformidad con el ANSI, la capacidad máxima de este equipo es de 310 lbs. (incluyendo herramientas y equipo). Ciertos productos Safewaze mencionados en este manual pueden tener capacidades máximas de más de 310 libras. Aunque ciertos componentes del PFAS en general pueden tener más de 310 libras de capacidad, la instalación de un montante en el sistema de línea de vida horizontal limita la capacidad a 310 libras por usuario.

Los usuarios de este equipo deben leer y entender todo este manual antes de usar el equipo.

Comuníquese con Safewaze si tiene preguntas sobre compatibilidades del equipo no consideradas en este manual. No altere ni use incorrectamente este equipo. Algunos componentes de subsistema pueden afectar el rendimiento y el funcionamiento de este equipo. No ancle este producto a maquinaria en movimiento ni a estructuras que impliquen peligros químicos, eléctricos o gaseosos. No respetar esta advertencia puede causar lesiones graves o muerte.

# Introducción y usos

Gracias por comprar este montante de Safewaze para Líneas Salvavidas Horizontales (Horizontal Lifelines, HLL). El usuario debe leer y entender todo este manual, que debe formar parte de un programa de capacitación del usuario conforme a los requisitos de la OSHA y de las agencias estatales correspondientes.

Este manual y todo otro material de enseñanza deben estar siempre a disposición del usuario del equipo. El usuario debe entender cómo usar segura y efectivamente el montante de Safewaze y todo el equipo de protección contra caídas que se use con el montante.

El montante de Safewaze ha sido diseñado teniendo en cuenta la seguridad del usuario. En sistemas de HLL, estos montantes le ofrecen al usuario un punto de anclaje flexible que se puede montar y desmontar fácilmente.

## Normas y reglamentos de seguridad aplicables


### NORMAS DEL ANSI

ANSI Z359.0	Definiciones y nomenclatura de parada de caídas y protección contra caídas
ANSI Z359.1	Requisitos de seguridad de sistemas personales de parada de caídas y sus subsistemas y componentes
ANSI Z359.2	Requisitos mínimos de programas integrales administrados de protección contra caídas
ANSI A10-14	Requisitos de seguridad de cinturones de seguridad, arneses, cordones y líneas salvavidas en construcción y demolición
ANSI A10.32	Protección personal contra caídas en construcción y demolición

### REGLAMENTOS DE LA OSHA

OSHA 1910.66	Sistemas personales de parada de caídas
OSHA 1926.502	Criterios y prácticas de los sistemas de protección contra caídas

## Denominaciones de usuarios



Entienda las denominaciones de las personas que se exponen a caídas o trabajan cerca de estructuras que implican riesgo de caída.

**Persona calificada:** Persona con certificación o título homologado y amplia experiencia o suficiente prestigio profesional que se considera competente en la planificación y revisión de la conformidad de los sistemas de rescate y protección contra caídas.

**Persona competente:** Persona altamente capacitada y experimentada que **el empleador responsabiliza** de todos los elementos de un programa de seguridad contra caídas, tales como, entre otros, regulación, administración y aplicación. Esta persona es competente en cuanto a la identificación de peligros conocidos y predecibles, y está autorizada a suspender el trabajo para eliminar los peligros.

**Persona autorizada:** Persona nombrada por el empleador para exponerse a riesgos de caídas conocidos o posibles, o trabajar cerca de lugares en que existen tales riesgos.

**Las personas calificadas o competentes son responsables de supervisar el lugar de trabajo y garantizar que se cumplan las normas de seguridad.**



# Configuraciones específicas del producto

**Parada de caída personal:** En sistemas de HLL, los montantes de Safewaze forman parte de un Sistema Personal de Parada de Caídas (Personal Fall Arrest System, PFAS). El sistema de HLL de Safewaze con el cual se combine el montante determina el número máximo de usuarios. La estructura a la cual se fija la línea salvavidas debe soportar una carga de 5,000 libras en todas las direcciones permitidas por el sistema. La caída libre máxima permitida es de 6 pies. La longitud máxima combinada del dispositivo de parada de caída, la extensión del cordón y el anillo en D es de 36 plg.

## Limitaciones

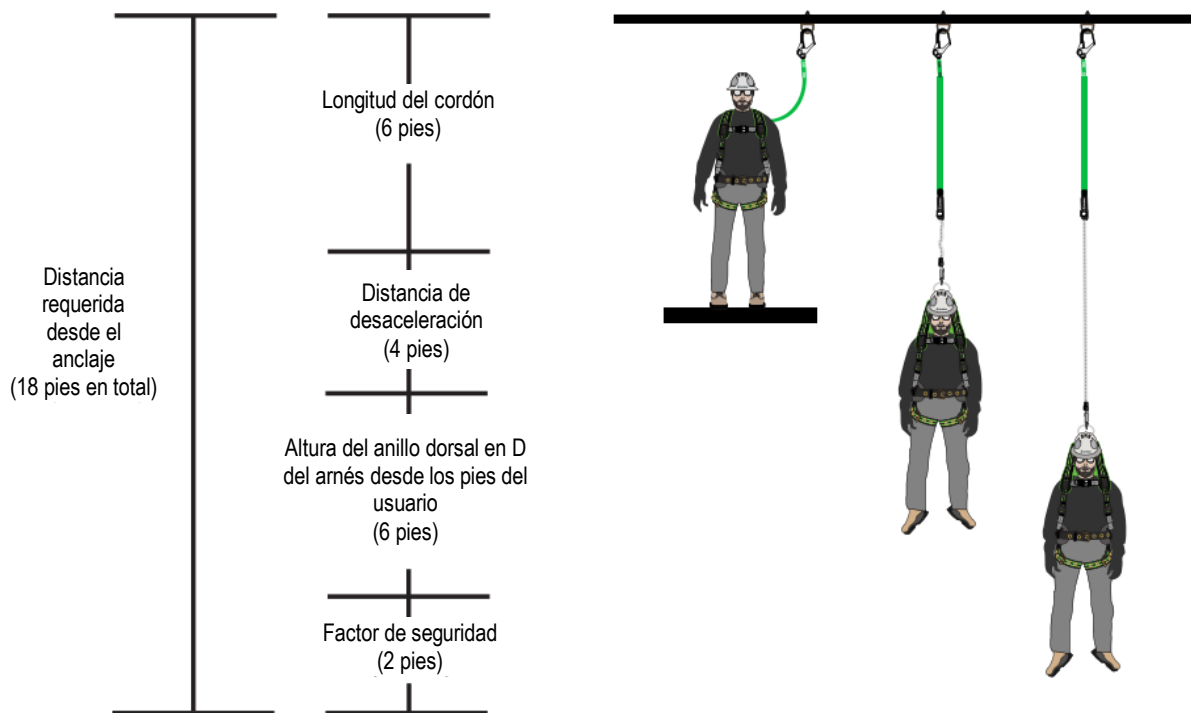
**Altura de caída:** Debe haber suficiente espacio debajo del conector de anclaje para parar una caída antes de que el usuario llegue al suelo o se golpee en una obstrucción. Cuando calcule la altura de caída, considere la distancia de desaceleración, la estatura del usuario, la longitud del cordón o SRD, un factor de seguridad de 2 pies como MÍNIMO, y todo otro factor aplicable (Figura 1).

**Fig. 1**

En todas las configuraciones, el intervalo de capacidad de este equipo es de 130 a 310 lbs. por usuario (incluyendo herramientas, ropa y equipo).

### Diagrama de altura de caída

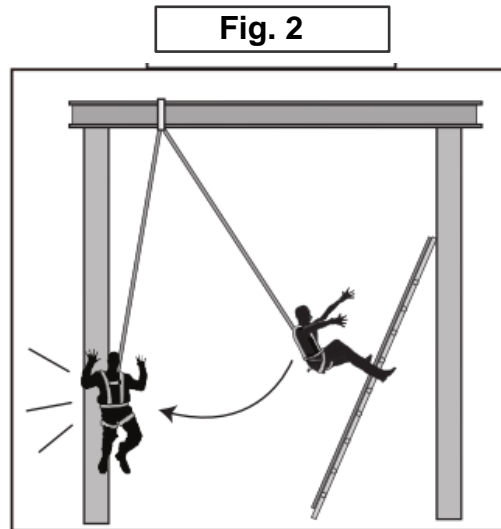
\*\*\* El diagrama que se muestra es SOLO un ejemplo de cálculo de altura de caída.



**\*\* EL USUARIO DEBE CONSULTAR LAS INSTRUCCIONES DE LA HLL PARA VER LAS ESPECIFICACIONES CORRECTAS DE ALTURA DE CAÍDA \*\***

# Conexiones

**Caídas pendulares:** Antes de instalar o usar el sistema, elimine o minimice los riesgos de caídas pendulares, que se producen cuando el punto de anclaje no está directamente encima del punto de caída. Trabaje siempre lo más cerca posible del punto de anclaje. Las caídas pendulares aumentan significativamente la probabilidad de lesiones graves o muerte (Figura 2).



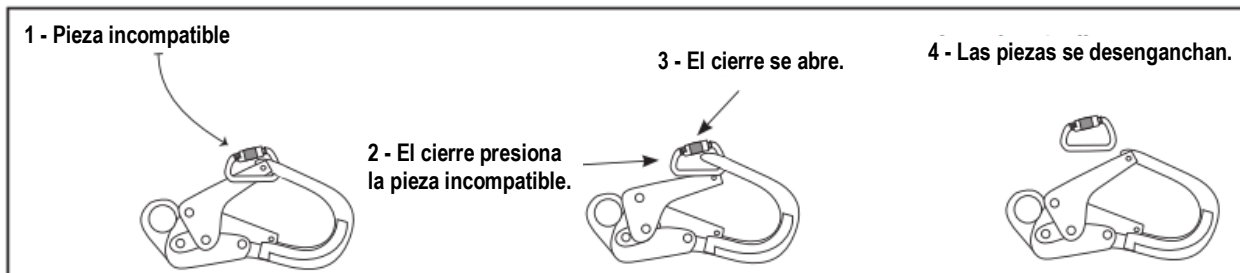
## COMPATIBILIDAD DE CONEXIONES

Los conectores son compatibles con los elementos que se les conectan cuando han sido diseñados para funcionar juntos de manera que su tamaño y su forma no causen la apertura imprevista de los mecanismos de los cierres, independientemente de su orientación. Los conectores (ganchos, mosquetones y anillos en D) deben tener al menos 5,000 lbs. (22.2 kN) de capacidad. Los conectores deben ser compatibles con el anclaje y los otros componentes del sistema (Figura 4). No utilice equipos mutuamente incompatibles. Los conectores incompatibles pueden desengancharse de improviso (Figura 3). Los conectores deben ser compatibles en cuanto a tamaño, forma y capacidad. La norma ANSI Z359 y las directrices de la OSHA exigen ganchos de presión y mosquetones de bloqueo automático. Comuníquese con Safewaze si tiene preguntas sobre compatibilidad.



NOTA: ALGUNOS CONECTORES ESPECIALIZADOS TIENEN REQUISITOS ADICIONALES. COMUNÍQUESE CON SAFEWAZE SI TIENE PREGUNTAS.

**Fig. 3 - DESENGANCHE NO INTENCIONAL**



Conectar un mosquetón o un gancho de presión a un conector demasiado pequeño o de forma irregular (1) puede permitir que el conector abra el cierre del mosquetón o gancho de presión. Cuando se ejerce fuerza, el cierre del mosquetón o del gancho presiona la pieza incompatible (2) y se abre (3). Esto permite que el mosquetón o gancho de presión se desenganche (4).

## FORMACIÓN DE CONEXIONES

Los mosquetones y ganchos de presión de este equipo deben tener cierre de bloqueo doble y/o cierre giratorio. Todas las conexiones deben ser compatibles en cuanto a tamaño, forma y capacidad. No use equipo incompatible. Todos los conectores deben estar completamente cerrados y bloqueados.

Los conectores Safewaze (mosquetones y ganchos de presión) deben usarse solo como se especifica en las instrucciones de cada producto. En la Figura 4 hay ejemplos de conexiones incorrectas. No conecte mosquetones o ganchos de presión...

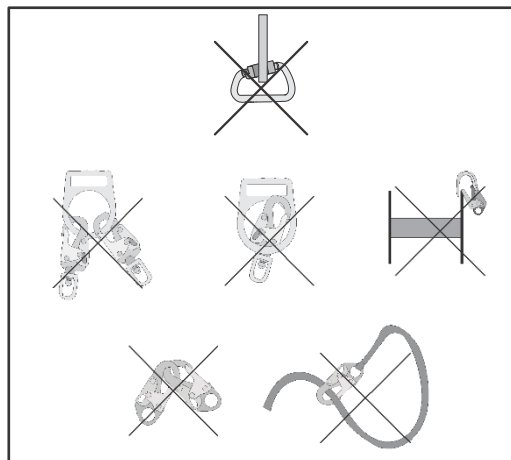
- A un anillo en D al cual ya esté conectado otro conector
- De una manera que ejerza fuerza sobre el cierre (excepto en caso de ganchos de sujeción)



**NOTA:** Los ganchos de presión de gran apertura no se deben conectar a anillos en D de tamaño estándar u objetos similares que se apoyarían en el cierre si el gancho o el anillo en D se torciera o girara, a menos que el gancho de presión cumpla con la norma ANSI Z359.12 y tenga un cierre de 3,600 lbs. (16 kN) de capacidad. Vea el marcado del gancho de presión para verificar que sea compatible con la aplicación.

- Con enganche falso, que se produce cuando las partes sobresalientes del mosquetón o gancho de presión se enganchan en el ancla y, sin confirmación visual, dan la impresión de que el mosquetón o gancho de presión está bien enganchado en el punto de anclaje
- Uno a otro
- Pasando la línea salvavidas de correa tejida alrededor del ancla y fijándola a la línea salvavidas, excepto según lo permitido para los modelos de sujeción
- A objetos cuya forma o tamaño pueda causar una desconexión o impedir que el mosquetón o gancho de presión se cierre y se bloquee
- De una manera que impida la alineación correcta del conector cargado.

**Fig. 4 - CONEXIONES INCORRECTAS**



# Especificaciones

Se debe tener cuidado de evitar la maquinaria en movimiento y los peligros químicos o eléctricos durante la instalación del montante. El contacto con tales peligros puede causar lesiones graves o muerte.

Deben respetarse las capacidades de peso de los montantes y las HLL contenidas este manual para evitar posibles fallas de sistema.

El montante y todo otro subsistema de PFAS asociado deben retirarse del servicio si se exponen a fuerzas de parada de caída.

Comuníquese con Safewaze si va a utilizar este equipo de una manera o en una combinación no específicamente definida en este manual.

Evite las superficies afiladas o abrasivas.

Evite los peligros eléctricos. Los destellos de arco de las operaciones de soldadura al arco y los destellos de arco accidentales de equipos eléctricos pueden dañar el equipo y causar lesiones graves o muerte.

No use nunca combinaciones de componentes o subsistemas que puedan afectar su funcionamiento correcto o interferirse mutuamente.

Cada vez que se vaya a usar el equipo, se debe verificar lo siguiente:

- El montante y el sistema de línea salvavidas horizontal de Safewaze y sus subsistemas no están desgastados, dañados o deteriorados.
- Todos los mosquetones y ganchos de presión se pueden cerrar y bloquear automáticamente.
- Los cordones autorretráctiles funcionan correctamente. Jale la línea salvavidas levemente primero y luego bruscamente para activar el mecanismo de bloqueo.
- Ninguna cuerda o cable tiene rasgaduras, cortes, desgaste, abrasión, desprendimiento de empalme, decoloración, corrosión, daño térmico, destrenzado, rebabas, torceduras u otras señales de desgaste y daños.
- Las terminaciones cosidas están firmes y enteras y no se ven dañadas.
- Todos los empalmes de cuerda están firmes.
- Todo sistema que se use con el montante de Safewaze está tensado conforme a las instrucciones del sistema.
- No hay indicadores de carga visibles.
- Los componentes dañados, deteriorados y/o defectuosos que se han encontrado se han puesto fuera de servicio inmediatamente conforme a las normas OSHA 29 CFR 1910.66 y 1926.502.



**ADVERTENCIA:** El montante de Safewaze NO ha sido diseñado como conexión de punto único para un PFAS individual. No conecte nunca un PFAS individual directamente al montante, ya que esto puede generar una carga incorrecta que incapacite o dañe el montante. El montante de Safewaze para líneas salvavidas temporales se puede usar con todos los sistemas de línea salvavidas horizontal de Safewaze.

# Instalación y uso

## Antes de usar

Los usuarios de sistema personal de parada de caídas deben tener previsto un plan de rescate y los medios de ponerlo en práctica en caso de que no puedan rescatarse a sí mismos.

El usuario debe leer y entender estas instrucciones y las instrucciones de cada componente y subsistema del sistema personal de parada de caídas.

Las abrazaderas del montante de Safewaze vienen en 2 tamaños: de 4 a 18 plg. o de 4 a 24 plg. El montante se fija en el ala superior de una viga en I. El ala puede tener un grosor máximo de 2-1/4 plg. Instalar dos montantes alineados en una viga en I establece una estructura de fijación o anclaje de sistemas de línea salvavidas horizontal de Safewaze. Algunos sistemas de línea salvavidas horizontal de Safewaze permiten instalar montantes intermedios en el tramo de la línea para dar estabilidad y reducir la altura de caída requerida. Si se necesita un montante intermedio, el tope de paso (pieza Nro. 019-8039) le permite al usuario pasar de un lado a otro del montante intermedio sin desconectarse del sistema.



**ADVERTENCIA:** Si se va a usar una HLL de cuerda con un montante intermedio, se debe prestar especial atención al inspeccionar la HLL. Los montantes intermedios en sistemas de HLL de cuerda pueden aumentar el desgaste de la línea salvavidas. Se requiere inspección adicional de las líneas salvavidas de cuerda en los puntos de contacto con montantes intermedios.

Todos los componentes del montante deben ser inspeccionados antes de ser instalados y cada vez que se vayan a usar. Durante la inspección previa al uso, todos los pernos de montaje y la tuerca de mariposa se deben volver a apretar para garantizar la instalación del montante. Además, una persona competente debe inspeccionar el montante una vez al año. Las inspecciones se pueden registrar en la cuadrícula de inspección de la etiqueta del montante o en el registro de inspecciones, página 17, de este manual.

Los montantes de línea salvavidas horizontal de Safewaze se deben instalar en vigas de acero horizontales rectas y sin curvas. El montante da una altura de conexión de 42 plg. sobre el ala superior de la viga.

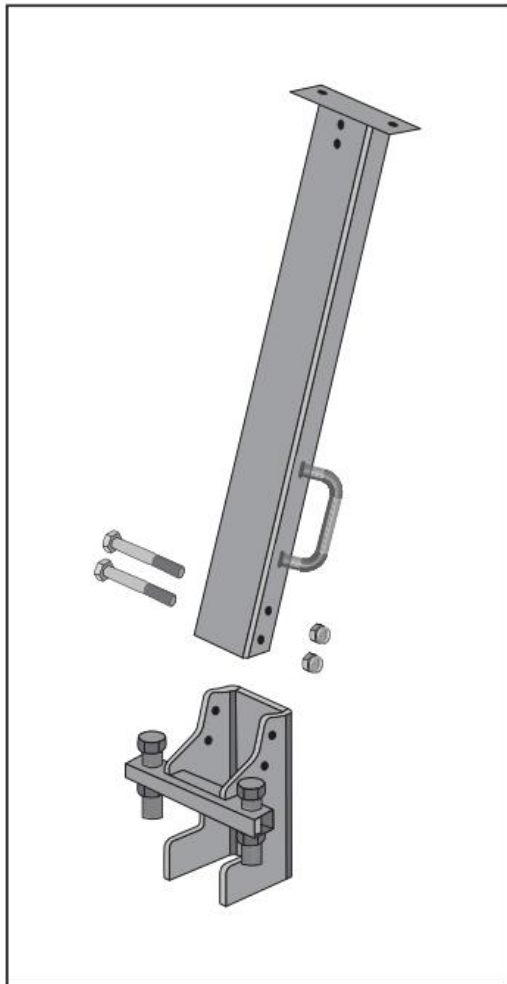
Al instalar los montantes de Safewaze con líneas salvavidas horizontales de Safewaze, el usuario debe prestar mucha atención a las instrucciones del sistema de línea salvavidas horizontal. Cada sistema de línea salvavidas horizontal de Safewaze tiene características únicas en cuanto a número máximo de usuarios, alturas de caída requeridas y flecha dinámica. Cada sistema de HLL de Safewaze debe instalarse según el manual de instrucciones del fabricante del sistema.

Si hay varios usuarios conectados al sistema de HLL (consulte las instrucciones de la HLL en cuestión para saber el máximo de usuarios permitido), cada usuario debe saber que si uno cae, los otros pueden ser arrastrados hasta afuera de la superficie de trabajo cuando la línea salvavidas descienda al parar la caída. Se recomienda que cada usuario tenga su propio sistema de HLL, o que se establezcan tramos cortos para minimizar la posibilidad de que un usuario que cae arrastre a otros.

En los manuales de instrucciones de los sistemas de HLL hay datos específicos tales como alturas de caída, longitud máxima de tramo, máximo de usuarios, etc. La longitud máxima del tramo de línea salvavidas horizontal con montante de Safewaze es de 60 pies. La longitud del tramo se puede aumentar con montantes intermedios para formar varios tramos.

Desempaquete la columna y la base. Inspeccione los dos componentes para asegurarse de que no se hayan dañado durante el transporte (Fig. 5). Desempaquete los pernos y tuercas de seguridad suministrados. Monte la columna en la base y alinee los agujeros. Inserte los pernos a través de los agujeros (Fig. 6). Póngale una tuerca de seguridad a cada perno y apriétela firmemente.

Fig. 5



(2) pernos  
(2) tuercas de seguridad

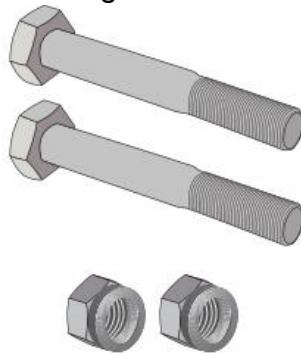
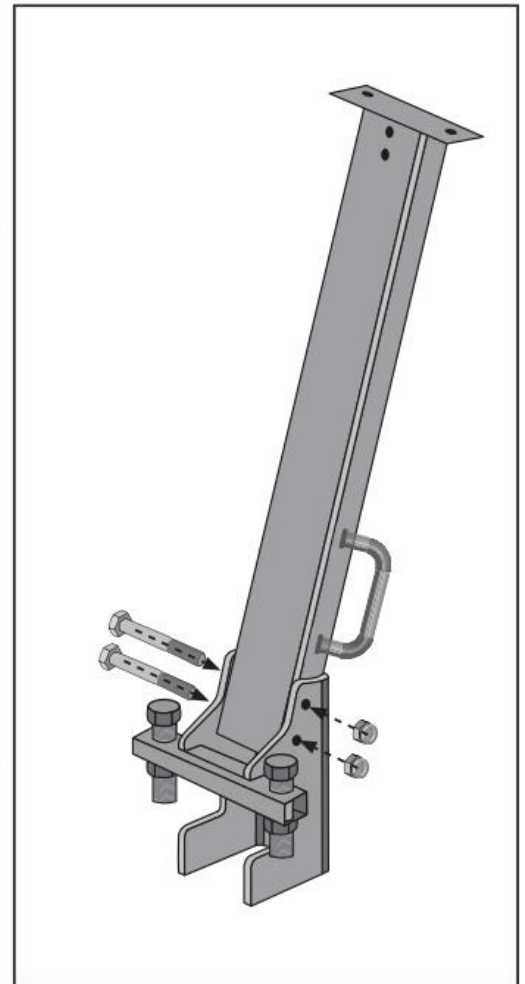
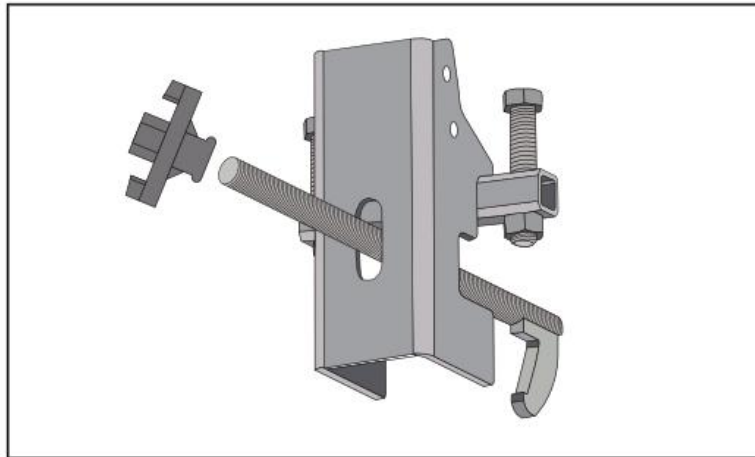


Fig. 6



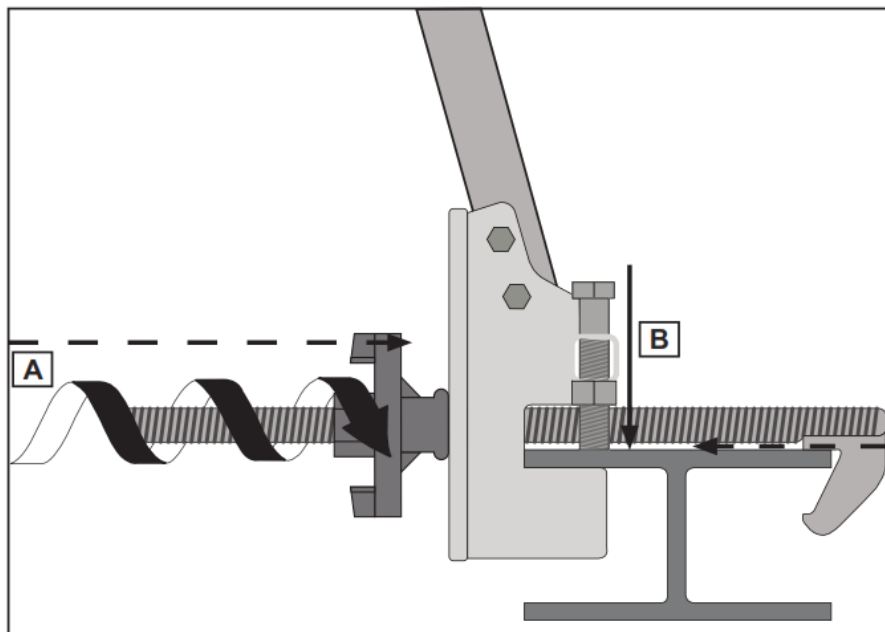
Inserte el extremo roscado de la abrazadera a través de la ranura de la base. Póngale la tuerca de mariposa a la abrazadera, pero no la apriete (Fig. 7).

Fig. 7



Coloque la unidad entera sobre el ala superior de la viga en I en el punto en que desea instalar el montante. Enganche el ala superior de la viga en I con la abrazadera en un lado y la parte ranurada de la base en el otro. Apriete la abrazadera contra el ala superior de la viga en I girando la tuerca de mariposa en sentido horario hasta que quede firme (Fig. 8-A). Cuando termine de apretar la tuerca de mariposa a mano, dele con un martillo o apriétela aún más con una llave ajustable para asegurarse de que el montante quede firme en la viga en I. Apriete los pernos de montaje contra el ala superior de la viga en I para afirmar el montante en posición (Fig. 8-B). Instale el pasador de chaveta a través del extremo de la abrazadera. La unidad instalada debe verse como se indica en la Fig. 9 (página 12).

Fig. 8

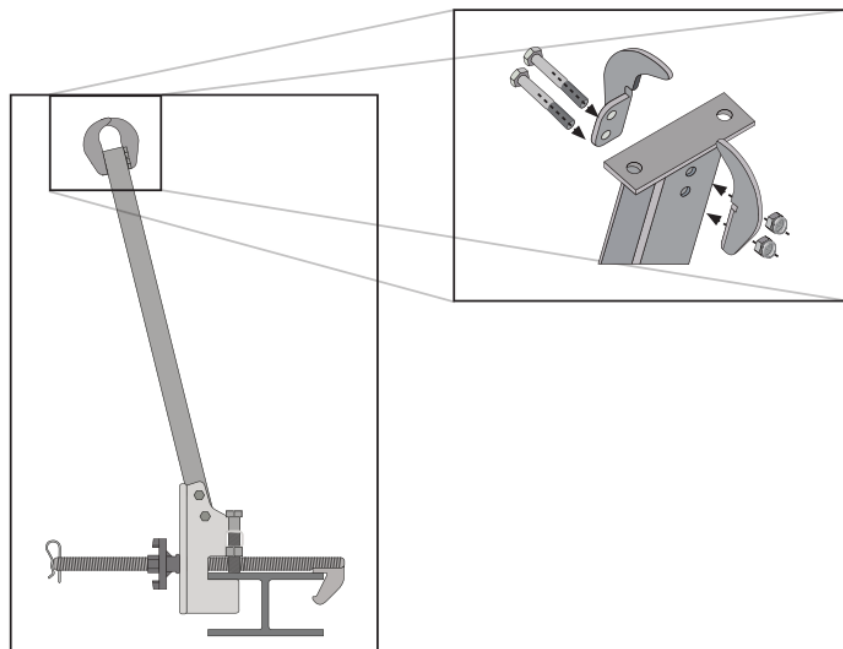


**Fig. 9**



Si va a ser intermedio, al montante se le debe instalar un tope de paso intermedio. En la parte de arriba del montante, alinee los orificios de fábrica del tope de paso con los orificios de fábrica del montante (Fig. 10). Pase los pernos suministrados a través de los agujeros y póngales las tuercas de seguridad. Apriételas hasta que el tope de paso quede firme en la parte de arriba del montante.

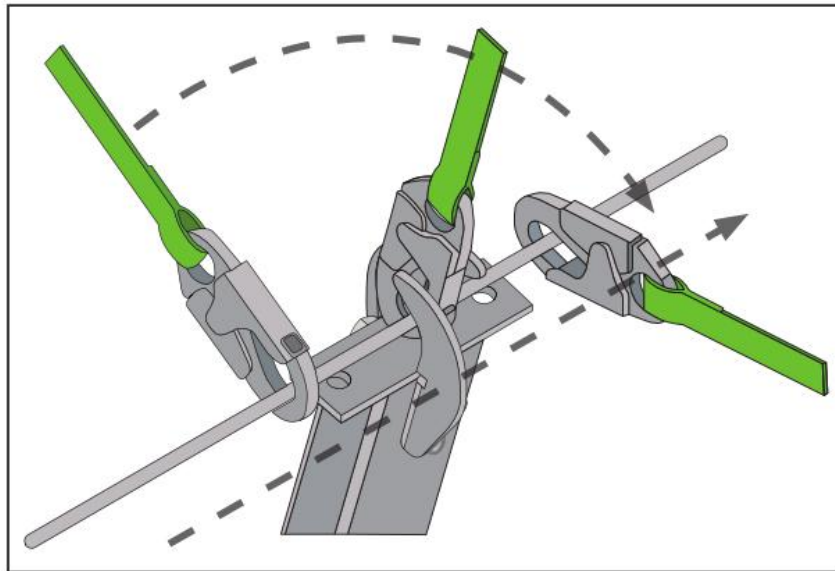
**Fig. 10**





Cuando llega al montante intermedio, el usuario debe pasar el gancho de presión por debajo del lateral de entrada del tope de paso. Una vez que el gancho de presión queda entre los dos laterales del tope de paso, el usuario debe girar el gancho de presión y pasarlo por debajo del lateral de salida hasta el otro lado de la línea salvavidas horizontal (Fig. 11). No es necesario desconectar el gancho de presión.

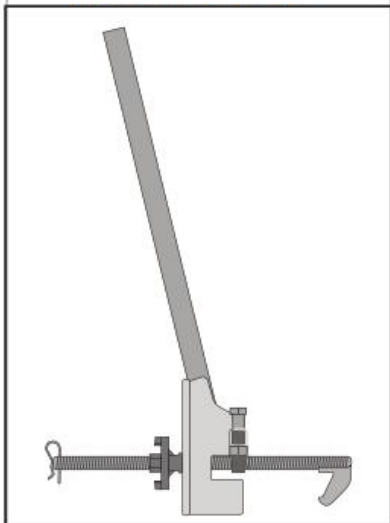
Fig. 11



## Componentes y números de pieza del montante

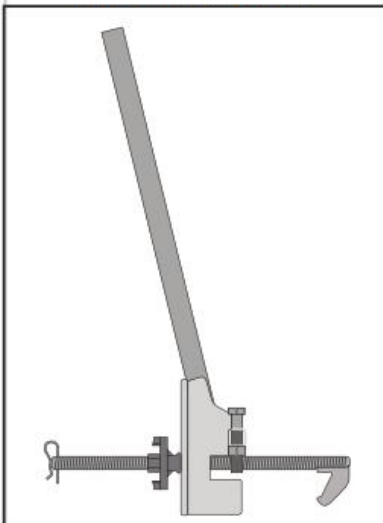
**020-8060**

Montante para viga en I  
de 4 a 12 plg.



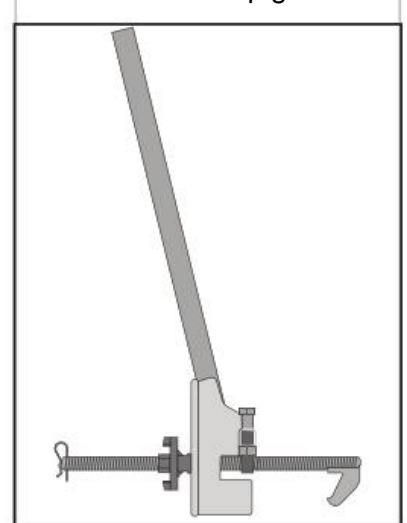
**019-8038**

Montante para viga en I  
de 4 a 18 plg.

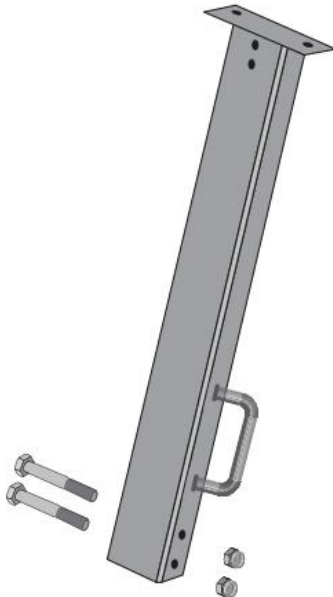


**019-8046**

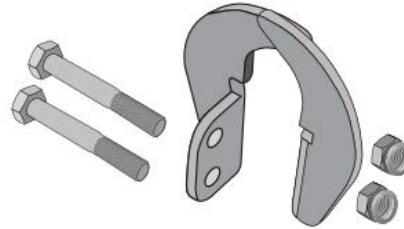
Montante para viga en I  
de 4 a 24 plg.



**019-8040**  
Columna del montante  
para viga en I



**019-8039**  
Tope de paso de la  
columna del montante



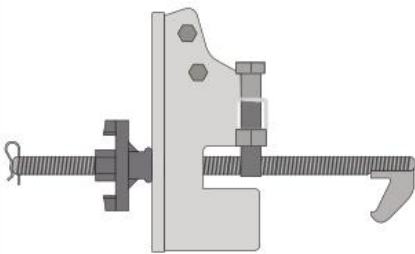
**019-8045**  
Abrazadera de viga en I de 4 a 18 plg.



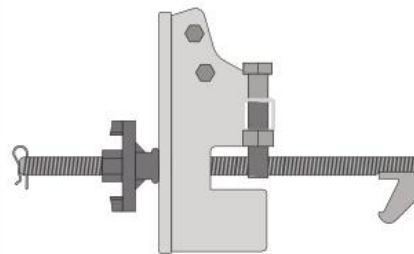
**019-8042**  
Abrazadera de viga en I de 4 a 24 plg.



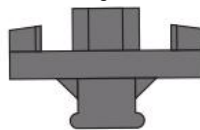
**019-8047**  
Base para viga en I de 4 a 18 plg.



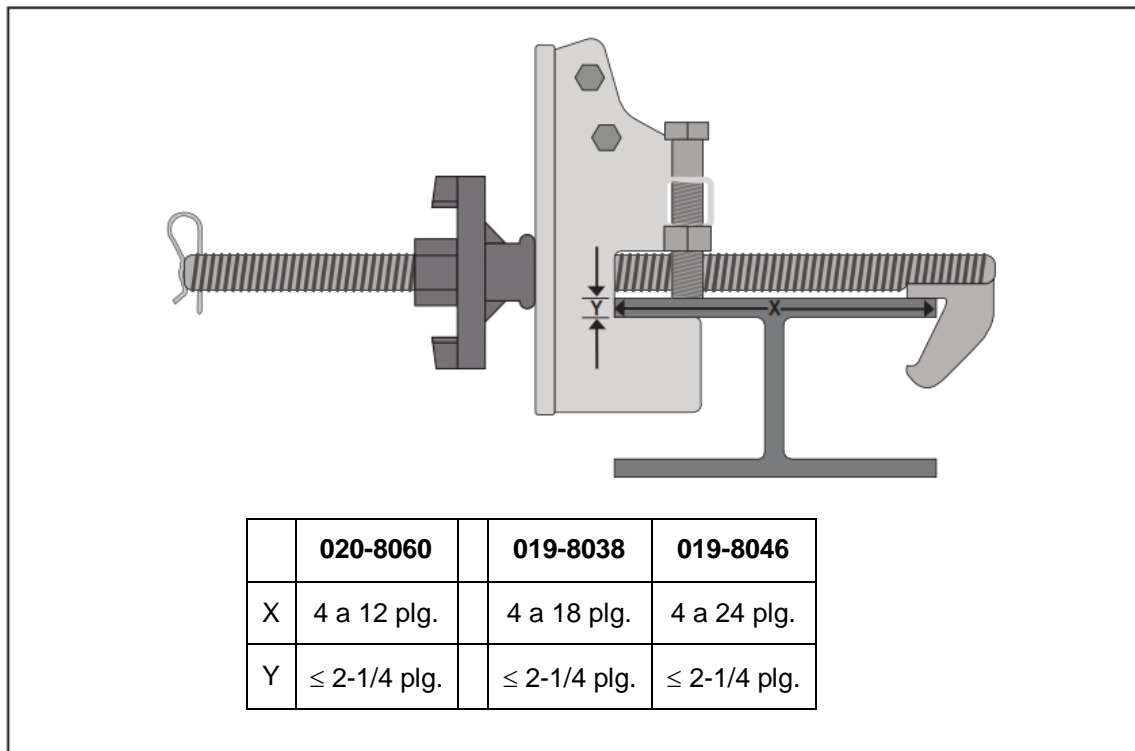
**019-8041**  
Base para viga en I de 4 a 24 plg.



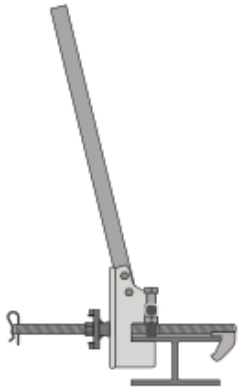
**019-8043**  
Tuerca mariposa de abrazadera  
de viga en I



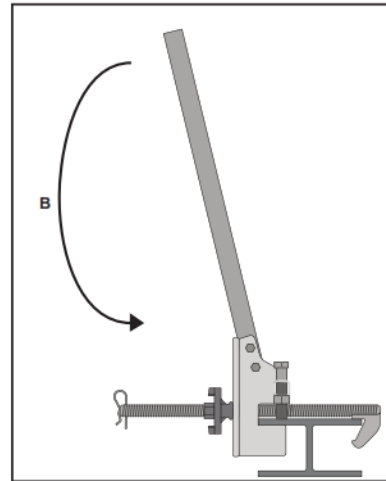
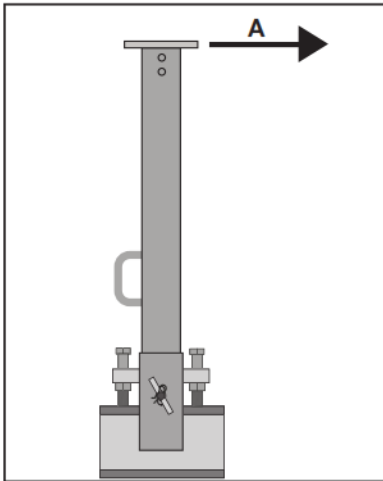
## Diagrama de dimensiones de la abrazadera de viga en I



## Tabla de especificaciones

Pieza Nro.	Material y fuerza de rotura mínima	Capacidad máxima de usuarios	Normas y reglamentos	Montante para viga en I
<b>020-8060</b> Para vigas en I de 4 a 12 plg. de ancho	8,000 libras de fuerza de rotura mínima	Consulte el manual de instrucciones de la HLL correspondiente de Safewaze	OSHA 1926.502 OSHA 1910.140	
<b>019-8038</b> Para vigas en I de 4 a 18 plg. de ancho	Columna del montante: acero			
<b>019-8046</b> Para vigas en I de 4 a 24 plg. de ancho	Base del montante: acero  Fijadores: grado 5			

# Requisitos de carga de la viga en I Montantes de anclaje de extremo



Sistema de HLL de Safewaze	Número de pieza	Configuración	A	B
HLL de Kernmantle para 2 personas	019-8000 019-8001 019-8002 019-8003	1 usuario	2,800 lbs.	1,500 pies-lbs.
		2 usuarios	5,400 lbs.	3.000 pies-lbs.
HLL de cuerda de trenza doble para 4 personas	019-8012 019-8013 019-8014 019-8015	1 usuario	3,400 lbs.	1,500 pies-lbs.
		2 usuarios	5,400 lbs.	3.000 pies-lbs.
HLL de cable para 2 personas	019-8016 019-8017 019-8018 019-8019	1 usuario	5,400 lbs.	1,500 pies-lbs.
		2 usuarios	6.600 lbs.	3.000 pies-lbs.
HLL de cable para 4 personas	FS-EX10000 FS-EX10500	1 usuario	2,000 lbs.	1,500 pies-lbs.
		2 usuarios	4,000 lbs.	3.000 pies-lbs.

# Inspección y mantenimiento

## Inspección

Inspeccione el montante para ver si está corroído o dañado.

Revise la columna y la base para ver si están distorsionadas o deformadas.

Inspeccione los pernos y tuercas del montante antes de usar el sistema y vuelva a apretarlos según sea necesario.

Inspeccione todos los componentes del sistema de HLL conforme a las instrucciones del fabricante.

## Frecuencia

Todos los componentes del montante de Safewaze deben ser inspeccionados cada vez que se van a usar y una vez al año por una "persona competente" (que no sea el usuario) según la definición de la OSHA.

## Criterios

Si la inspección revela defectos, mantenimiento incorrecto o condiciones peligrosas, ponga el sistema fuera de servicio hasta que una "persona calificada" según la definición de la norma OSHA 1926.32 (m) pueda determinar si el sistema se puede reparar o se debe desechar.

## Mantenimiento

A todo componente del montante de Safewaze que requiera mantenimiento se le debe poner una etiqueta que diga "inutilizable", y el componente debe ser puesto fuera de servicio.

El usuario puede hacer el mantenimiento de limpieza.

Solo el fabricante o las entidades autorizadas por escrito por el fabricante pueden reparar el producto.

**SOLO SAFEWAZE O UNA PERSONA CAPACITADA Y COMPETENTE DEBE HACERLE SERVICIO A ESTE SISTEMA. NUNCA INTENTE ALTERARLE LAS FUNCIONES O HACERLE SERVICIO.**


## Almacenamiento

Cuando no esté instalado, el montante de Safewaze debe estar guardado en un lugar fresco, seco y protegido contra la luz directa del sol. No lo guarde en lugares donde pueda haber factores ambientales perjudiciales tales como calor, luz, exceso de humedad, aceite, productos químicos y sus vapores, u otros elementos degradantes. No guarde equipos dañados o que necesiten mantenimiento en el mismo lugar que el producto aprobado para el uso. El equipo que ha estado guardado durante un período prolongado debe ser inspeccionado como se describe en estas instrucciones antes de usarlo.

## Registro de inspecciones

<b>FECHA</b>	<b>ESTADO DEL SISTEMA</b>	<b>INSPECCIONADO POR:</b>

# Etiquetas



**SAFEWAZE**

**SAFELINK**  
**MONTANTE**

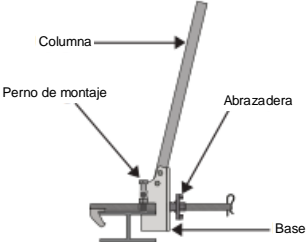
**ADVERTENCIA**

Este producto debe usarse conforme a las instrucciones que el fabricante le adjuntó al momento de enviarlo. Este producto se debe usar solo con sistemas aprobados de Línea Salvavidas Horizontal (Horizontal Lifeline, HLL) temporal de Safewaze. Los datos específicos, tales como alturas de caída, número de usuarios, longitud de tramos, etc., de los sistemas de HLL aprobados vienen en las instrucciones de cada sistema de HLL. Los usuarios deben estar capacitados para usar este producto y los sistemas de HLL que se van a usar con el producto. Este equipo debe instalarse y usarse bajo la supervisión de una persona calificada. No seguir las instrucciones, usar el producto incorrectamente o alterarlo puede causar lesiones graves o muerte. Evite usar este equipo cerca de peligros térmicos, eléctricos, químicos, etc. No utilice este equipo en condiciones poco seguras o peligrosas. Los resultados de las inspecciones deben registrarse en la cuadrícula de inspecciones de esta etiqueta y en el registro de inspecciones del manual de instrucciones.

**NO QUILTE ESTA ETIQUETA.**

**INSTALACIÓN** Montante de 42 plg. para viga en I

Apriete la abrazadera en la viga en I con la tuerca de mariposa suministrada. Cuando termine de apretar la tuerca de mariposa a mano, dele con un martillo o apréteala aún más con una llave ajustable para asegurarse de que el montante quede firme en la viga en I. Luego apriete los pernos de montaje contra el ala superior de la viga en I.



Modelo Nro. :  019-8038  019-8040  019-8046

Fecha de fabricación: XX/XXX  
Número de serie: XXXXXXX  
Material: acero  
Cumple con las normas OSHA 1926.502 y 1910.140

	ENE.	FEB.	MAR.	ABR.	MAY.	JUN.	JUL.	AGO.	SEP.	OCT.	NOV.	DIC.

019717 [www.safewaze.com](http://www.safewaze.com)



**SAFELINK**  
**MONTANTE**

## GARANTÍA



SAFEWAZE  
225 Wilshire Ave SW  
Concord, NC 28025

TELÉFONO: (800) 230-0319  
FAX: 1-704-262-9051  
CORREO ELECTRÓNICO: [info@safewaze.com](mailto:info@safewaze.com)

Web: [safewaze.com](http://safewaze.com)