

Capitol Style Cutter



Internal Pipe Cutter for closet bends and soil pipe

Instructions for use and care of your cutter:

1. Cross handle must be kept tight and the tool held steady until it has scored a fine cut on the pipe. Then by tightening the cross handle and turning the cutter a few times, the pipe will crack off.
2. Oil the cutter wheels, pins and the cross handle occasionally.
3. Wheels can be used for standard or extra heavy weight pipe.
4. The tripod support is made of cast aluminum and care should be taken not to throw the cutter about and crack the support.

**Keep wheels
oiled at all times!!**

How to replace the cutter wheels:

Move the opening on the top spring to one of the pin openings. Do likewise with the bottom spring. Using the bottom opening, knock out the pin. Replace the wheel. After replacing the wheels, rearrange the openings on the springs equidistant from each other as they were.

42900 for Cast Iron Pipe

It will fit into a minimum size of
3-13/16" pipe.

32900 for Cast Iron Pipe

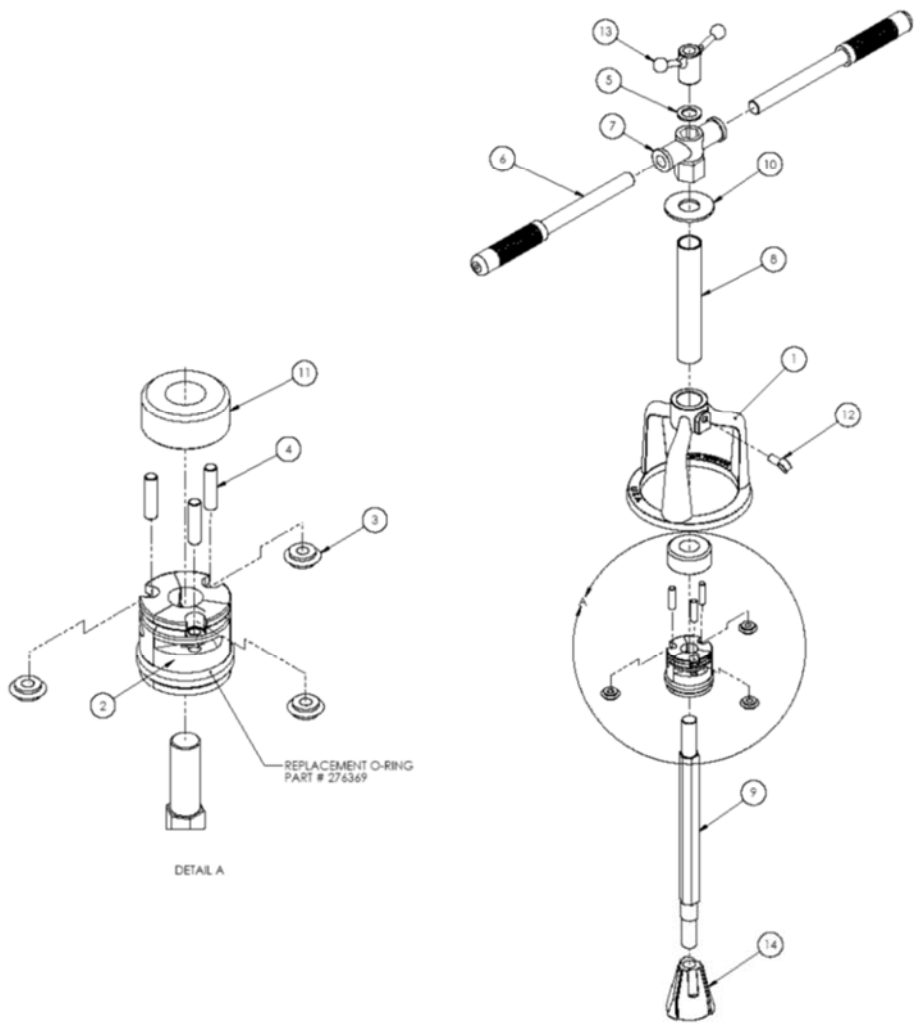
It will fit into a minimum size of 2-7/8" pipe.



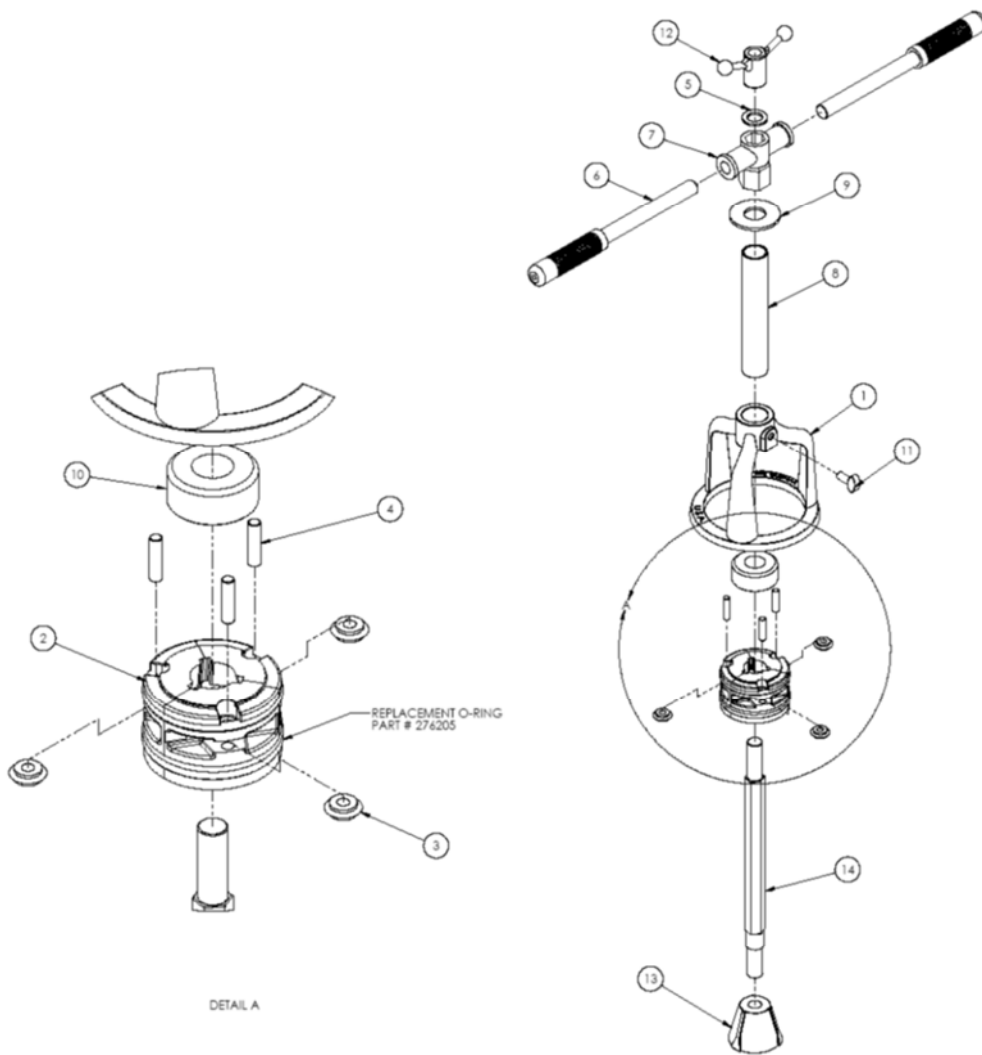
Wheeler-Rex

T: 800-321-7950 * F: 440-992-2925

wheeler@wheelerrex.com * www.wheelerrex.com



ITEM NO.	PART NUMBER	DESCRIPTION	QTY
1	700211	TRIPOD SUPPORT	1
2	700235	SEGMENT SET w/o WHEELS	1
3	700201	C.I. CUTTER WHEEL (SOIL PIPE)	3
4	276097	DOWEL PIN	3
5	700206	FRICTION WASHER	1
6	652	HANDLE ASBY	2
7	700196	T-HANDLE	1
8	700193	OUTER PIPE	1
9	700216	SHAFT	1
10	276407	WASHER	1
11	700234	PUSH WASHER (THICK)	1
12	276190	3/8-16 x 3/4" THUMB SCREW	1
13	700220	FEED HANDLE	1
14	700217	3" Wedge (Machined)	1



ITEM NO.	PART NUMBER	DESCRIPTION	QTY
1	700211	TRIPOD SUPPORT	1
2	700236	4" SEGMENT SET w/o WHEELS	1
3	700201	C.I. CUTTER WHEEL (SOIL PIPE)	3
4	276097	DOWEL PIN	3
5	700206	FRICTION WASHER	1
6	652	HANDLE ASBY	2
7	700196	T-HANDLE	1
8	700193	OUTER PIPE	1
9	276407	WASHER	1
10	700234	PUSH WASHER (THICK)	1
11	276190	3/8-16 x 3/4" THUMB SCREW	1
12	700220	FEED HANDLE	1
13	700219	4" WEDGE (Machined)	1
14	700216	SHAFT	1



WHEELER-REX LIMITED LIFETIME WARRANTY

WHEELER-REX covers its products with a Limited Lifetime Warranty, with exception of pipe threading machines which have a Limited Three Year Warranty (including electric motors). Warranties from manufacturers of components used in our products may pre-empt the Wheeler-Rex warranty. Wheeler-Rex warrants against defects in material or workmanship. To take advantage of this warranty, the complete product must be delivered prepaid to Wheeler-Rex or any WHEELER-REX AUTHORIZED SERVICE CENTER. No tools are to be returned to the factory without receiving prior authorization. Obviously, failures due to misuse, abuse, or normal wear and tear are not covered by this warranty. **NO OTHER WARRANTY, WRITTEN, OR ORAL, APPLIES. THERE ARE NO WARRANTIES WHICH EXTEND BEYOND THE DESCRIPTION ON THE FACE HEREOF.** No employee, agent, dealer, or other person is authorized to give any warranty on behalf of Wheeler-Rex. Warranted products will be repaired or replaced at our option, at no charge and returned to you via prepaid transportation. Such replacement or repair is the exclusive remedy available from Wheeler-Rex. Wheeler-Rex is not liable for damage of any sort, including incidental and consequential damages. Some U.S.A. states do not allow the exclusion or limitation of incidental or consequential damages, so the above limitation or exclusion may not apply. This warranty gives you specific legal rights, and you may also have other rights which vary from state to state.

WARNING

GENERAL TOOL OPERATION WARNINGS

FOR ALL TOOLS-

1. **Keep Guards in Place** and in working order.
2. **Remove Adjusting Keys and Wrenches** from tool before turning it on.
3. **Keep Work Area Clean.** Cluttered areas and benches invite accidents.
4. **Avoid Dangerous Environment.** Don't use power tools in damp or wet locations. Keep work area well lit. Don't expose power tools to rain.
5. **If you must use an electric tool** in a damp or wet location; make sure it is plugged into a circuit which is protected by a ground fault interrupt.
6. **Keep Children Away. ALL VISITORS SHOULD BE KEPT A SAFE DISTANCE FROM WORK AREA.**
7. **Store Idle Tools** in dry, high, or locked-up place out of reach of children.
8. **Don't Force Tool.** It will do a better and safer job at the rate for which it is designed.
9. **Use Right Tool.** Don't force a small tool or attachment to do the job of a heavy-duty tool.
10. **Wear Proper Apparel.** No loose clothing or jewelry to get caught in moving parts. Rubber gloves and footwear are recommended when working outdoors.
11. **Use Safety Glasses.**
12. **Don't Abuse Cord.** Never carry tool by cord or yank it to disconnect from receptacle. Keep cord from heat, oil, and sharp edges.
13. **Secure Work.** Use clamps or vise to hold work when practical. It's safer than using your hand and it frees both hands to operate tool.
14. **Don't Overreach.** Keep proper footing and balance at all times.
15. **Maintain Tools Properly.** Keep tools sharp and clean for best and safest performance. Follow instructions for lubricating and changing accessories. Equipment operators must have proper maintenance & instruction sheets. Be sure the tool operator reads and understands this information. If you don't have current maintenance and instruction sheets, contact the factory & we will supply them at no charge.
16. **Disconnect Tools** when not in use; before servicing; when changing accessories such as dies, cutters, etc.
17. **Avoid Accidental Starting.** Don't carry plugged-in tool with finger on switch. Be sure switch is off when plugging in.
18. **Outdoor Use Extension Cords.** When tool is used outdoors, use only extension cords suitable for use outdoors and so marked.
19. **Wear Ear Protection** if exposed to long periods of very noisy shop operations.
20. **Do not operate tools** while under the influence of alcohol, drugs or medication.



Authorized Service Centers

Alabama

Beerman Precision, Inc.
1140 Fifth Avenue North
Birmingham, AL 35203
Tel: 504-207-6000
Fax: 504-207-6044

Arizona

Boerner Company
2435 E. Indian School Road
Phoenix, AZ 85016
Tel: 602-957-9710
Fax: 602-957-9754

Western Tool, Inc.

702 South Campbell
Tucson, AZ 85719
Tel: 520-884-0504
Fax: 520-623-9341

Arkansas

Clark Hydraulic Service, Inc.
2901 Confederate Boulevard
Little Rock, AR 72206
Tel: 501-375-1252
Fax: 501-375-0706

California

Megawestern Sales, Inc.
6861 Walker Street
LaPalma, CA 90623
Tel: 310-323-7900
Fax: 310-323-9421

Canada

Big Boys Repair & Restoration
1654 St. Matthews Avenue
Winnipeg, MB
R3H 0X6 Canada
Tel: 204-414-8974
Fax: 204-414-8975

Instrument Sales & Service

2185 Hampton
Montreal, QC H4A 2K5
Tel: 514-481-8111
Fax: 514-481-8111

Leger Palans et Outillages, Inc.

7995 17^eeme Avenue
Montreal, Quebec H1Z 3R2
Tel: 514-376-3050
Fax: 514-376-0657

Fred Surridge, Ltd

11871 Machrina Way
Richmond, BC V7A 4V3
Tel: 604-271-4343
Fax: 604-271-9411

Connecticut

Dependable Hydraulic Services
2110 Foxon Road, Route 80
North Branford, CT 06471
Tel: 203-481-9706
Fax: 203-481-4343

Florida

Heartland Supply, Inc.
5980 Highway 17 South
Bartow, FL 33830
Tel: 863-533-0946
Fax: 863-533-8304

Broward Hydraulic Jack Service

3907 SW 12th Court
Fort Lauderdale, FL 33312
Tel: 954-583-2504
Fax: 954-583-3265

Illinois

Recco Tool and Supply
8805 Joliet Road
McCook, IL 60525
Tel: 708-442-7850
Fax: 708-442-7871

MFC

698 US Highway 150 East
Galesburg, IL 61401
Tel: 309-342-6171
Fax: 309-342-6946

MFC

817 NE Adams Street
Peoria, IL 61603
Tel: 309-674-6462
Fax: 309-674-6471

Indiana

ABC Specialty Company
1075 Kenwood Avenue
Fort Wayne, IN 46805
Tel: 260-483-8913
Fax: 260-483-8913

Louisiana

The Tool Shed
1856 Woodale Court
Baton Rouge, LA 70806
Tel: 225-926-6500
Fax: 225-924-7700

Beerman Precision, Inc.

4845 Bloomfield Street
Jefferson, LA 70121
Tel: 504-207-6000
Fax: 504-207-6044

Beerman Precision, Inc.

4206 Howard Avenue
New Orleans, LA 70125
Tel: 504-207-6000
Fax: 504-207-6044

Tool Town, LLC

704 North 7th Street
West Monroe, LA 71291
Tel: 318-329-2929
Fax: 318-329-2988

Maryland

Hydratec
1902 Benhill Avenue
Baltimore, MD 21226
Tel: 410-355-1441
Fax: 410-355-5302

Massachusetts

Panda Electrical Service
165 Main Street
Everett, MA 02149
Tel: 617-389-1442
Fax: 617-389-6823

Michigan

H & P Technologies
21251 Ryan Road
Warren, MI 48091
Tel: 586-758-0100
Fax: 586-758-0589

Minnesota

MFC
305 Bridgewater Drive, Suite 400
South St. Paul, MN 55075
Tel: 651-645-7522
Fax: 651-645-8259

Mississippi

Beerman Precision, Inc.
10031 Lorraine Road
Gulfport, MS 39503
Tel: 504-207-6000
Fax: 504-207-6044

Dixie Hydraulic Service, Inc.

1640 South Gallatin Street
Jackson, MS 39204
Tel: 601-948-5103
Fax: 604-948-2409

Missouri

Cisco
1807 Macon
North Kansas City, MO 64116
Tel: 816-421-0076
Fax: 816-421-3911

Arrow Hydraulic Company

5231 Manchester Avenue
St. Louis, MO 63110
Tel: 314-371-3035
Fax: 314-371-2328

New Jersey

Metro Hydraulic Jack Company
1271 McCarter Highway
Newark, NJ 07104
Tel: 973-350-0111
Fax: 973-350-0112

CMI / Hydrair

615 Union Avenue
Union Beach, NJ 07735
Tel: 732-739-1961
Fax: 732-888-1857

New York

Dependable Hydraulic
18 Ranick Drive West
Amityville, NY 11701
Tel: 631-842-0700
Fax: 631-842-0717

Mohawk Ltd.

One Newell Lane
Chadwicks, NY 13319
Tel: 315-737-7328
Fax: 315-737-7347

J & A Repair Shop

6206 - 20th Avenue
Brooklyn, NY 11204
Tel: 718-232-5746
Fax: 718-259-1083



Authorized Service Centers

Buffalo Hydraulic Jack Service

488 Walden Avenue
Buffalo, NY 14211
Tel: 716-893-6510
Fax: 716-893-6511

A & T Power Tools & Equipment

515 East Jericho Turnpike
Huntington Station, NY 11746
Tel: 516-271-2141
Fax: 516-271-2148

R.P. Rentals and Sales

1855 Stanhope Street
Ridgewood, NY 11385
Tel: 718-456-7397
Fax: 718-456-6900

Ace Hydraulic Service, Inc.

6720 VIP Parkway
Syracuse, NY 13211
Tel: 315-454-8989
Fax: 315-455-9522

North Carolina

HEPSCO

803 Pressley Road, Suite 101
Charlotte, NC 28217
Tel: 704-374-1306
Fax: 704-374-0029

Ohio

Eureka Tool & Hydraulic Service

1120 Straight Street
Cincinnati, OH 45214
Tel: 513-542-4800
Fax: 513-542-6715

Waltz-Dettmer Supply

4811 Winton Road
Cincinnati, OH 45232
Tel: 513-681-6300
Fax: 513-681-0935

Samsel Supply Company

1285 Old River Road
Cleveland, OH 44113
Tel: 800-887-6446
Fax: 216-298-6905

Ohio Hydraulic Jack Service

24 North Grubb Street
Columbus, OH 43215
Tel: 800-828-0049
Fax: 614-221-6246

Ohio Hydraulic Service

7733 Lydia Drive
Lewis Center, OH 43035
Tel: 800-828-0049
Fax: 614-221-6246

Oklahoma

Mac's Hydraulic Jack Service

5150 South 100th East Avenue
Tulsa, OK 74146
Tel: 918-627-5505
Fax: 918-627-8808

Oregon

Karn Repair Service

1800 NW 169th Place, Suite D300
Beaverton, OR 97006
Tel: 503-690-9500
Fax: 503-690-9515

Pennsylvania

Mac's Hydraulic Jack Service

121 Putnam Street
Pittsburgh, PA 15206
Tel: 412-361-1555
Fax: 412-361-2855

Tennessee

Mid South Hydraulic & Equipment Repair

297 South Somerville
Memphis, TN 38104
Tel: 901-526-3114
Fax: 901-529-1557

Texas

Big D Supply

2535 Irving Boulevard
Dallas, TX 75207
Tel: 214-631-3731
Fax: 214-631-3736

Hydraulic Service & Supply

100 Howell Street
Dallas, TX 75207
Tel: 214-748-6015
Fax: 214-748-7340

Hydraulic Equipment Service

1021 North San Jacinto
Houston, TX 77022
Tel: 713-228-9601
Fax: 713-228-0931

J & T Tool Company

2317 Inker Street
Houston, TX 77007
Tel: 713-880-8013
Fax: 713-880-5702

Hydraulic Equipment Service

328 Buddy Holly Avenue
Lubbock, TX 79401
Tel: 806-763-7621
Fax: 806-763-4209

Mueller Hydraulic Service

515 North Hackberry
San Antonio, TX 78202
Tel: 210-224-5271
Fax: 210-224-5250

Utah

Gustin Hydraulics

151 West Commonwealth Avenue
Salt Lake City, UT 84115
Tel: 801-487-0624
Fax: 801-466-4871

Virginia

D & S Repair Service, Inc.

20 South Dove Street
Alexandria, VA 22314
Tel: 703-683-0009
Fax: 703-683-6719

Moore's Jack & Equipment Service

2403 North Lombardy Street
Richmond, VA 23220
Tel: 804-321-6623
Fax: 804-321-8559

Washington

Universal Repair Shop, Inc.

1611 Boylston Avenue
Seattle, WA 98122
Tel: 206-322-2726
Fax: 206-322-2122

Wisconsin

Page1 Hydraulic Service, Inc.

2122 West Burnham Street
Milwaukee, WI 53204
Tel: 414-383-6755
Fax: 414-383-7544