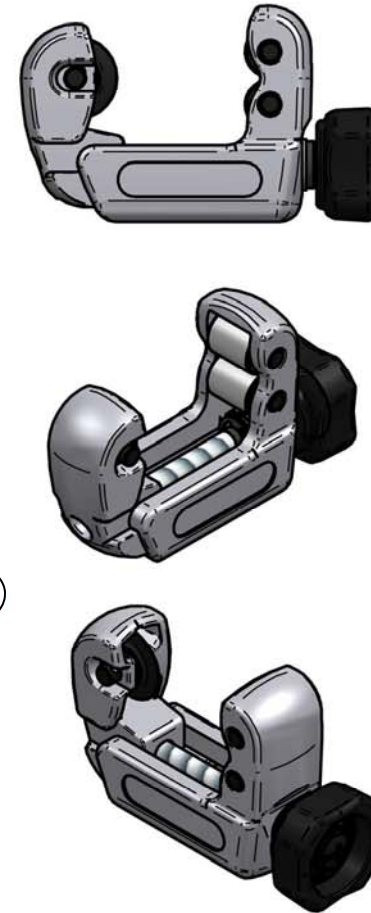
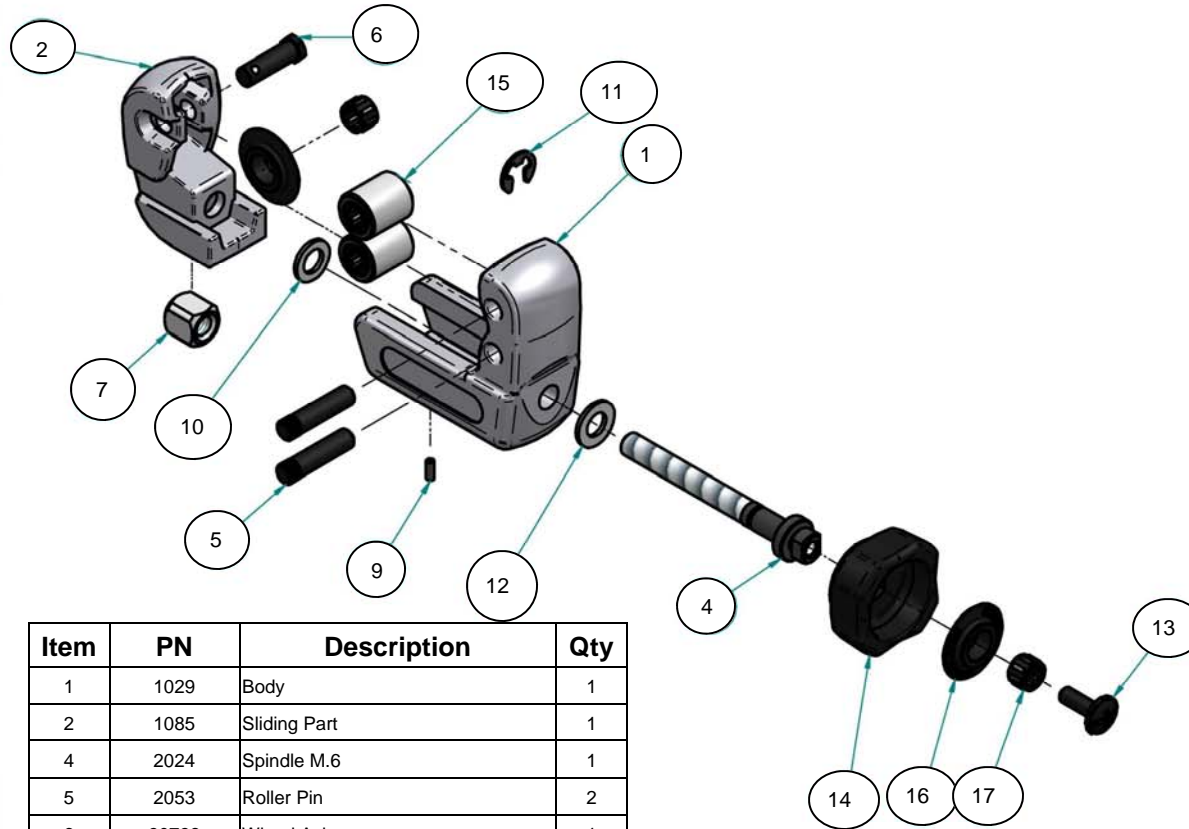


Model 90724 1/8" - 1-1/8" SS Tubing Cutter

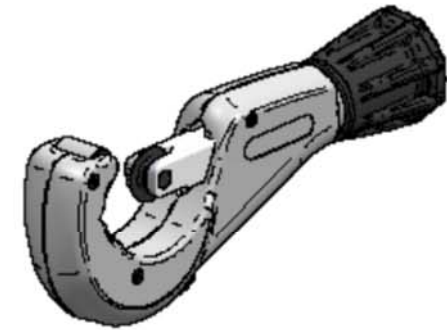
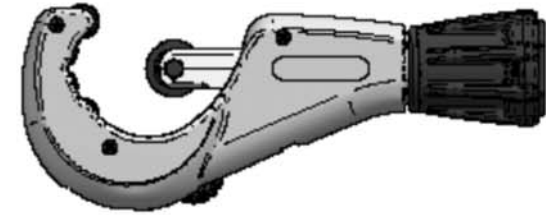
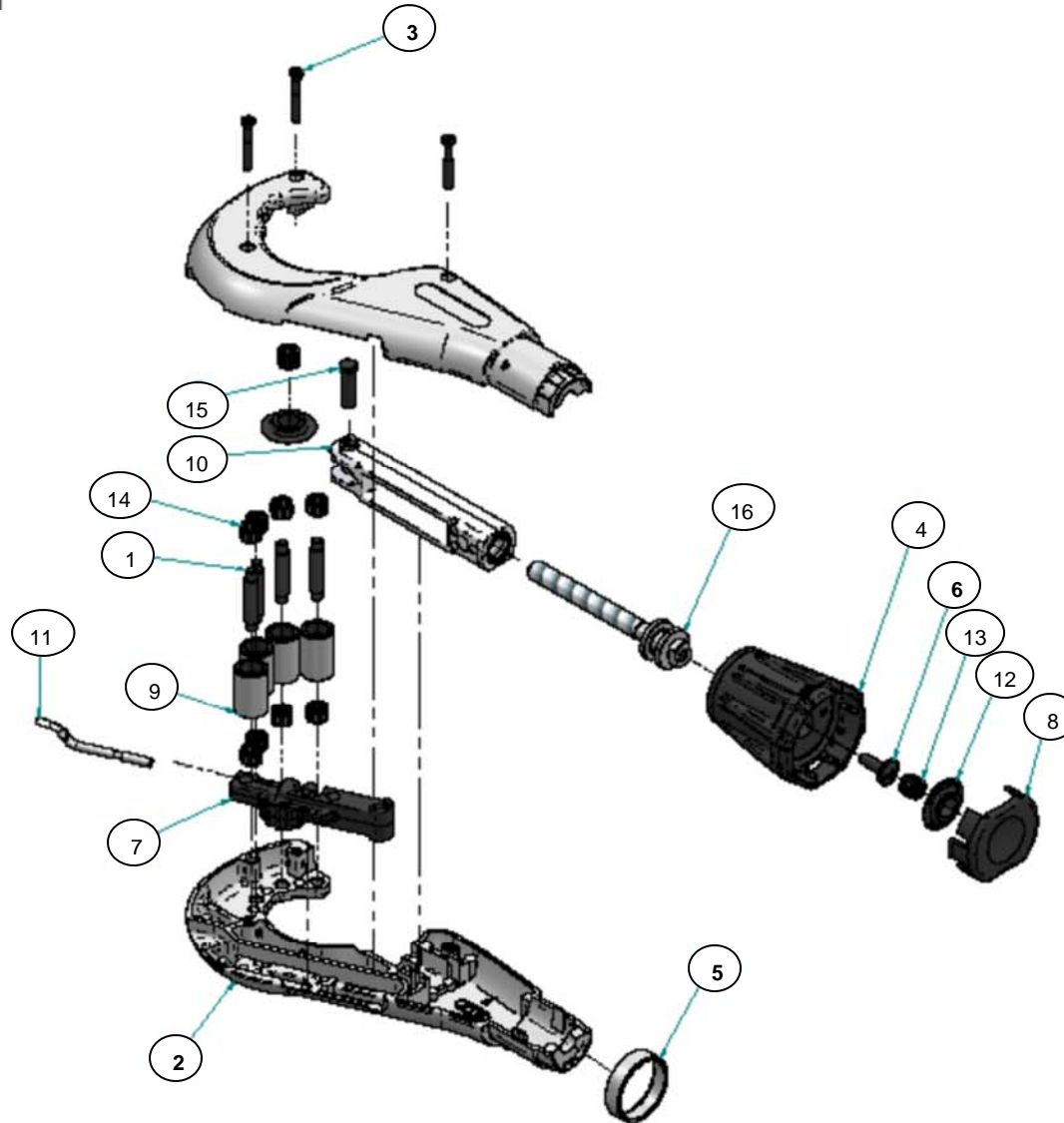


Item	PN	Description	Qty
1	1029	Body	1
2	1085	Sliding Part	1
4	2024	Spindle M.6	1
5	2053	Roller Pin	2
6	90798	Wheel Axis	1
7	2050	Steel Socket M.6	1
9	6335	Elastic Stop Pin 02x5	1
10	6104	Special Washer 06x011x1	1
11	6115	Security Washer 05	1
12	6106	Washer A6,4 Din 125	1
13	6036	Combo Screw M4x12	1
14	8102	Knob	1
15	6710	Rollers 012x14x18	2
16	90799	Cutting Wheel	2
17	4505	Needle Bearing 08x05x5	2

Wheeler-Rex
 Ashtabula, Ohio
wheeler@wheelerrex.com
www.wheelerrex.com



Model 90730 1/8" - 1-3/4" SS Tubing Cutter

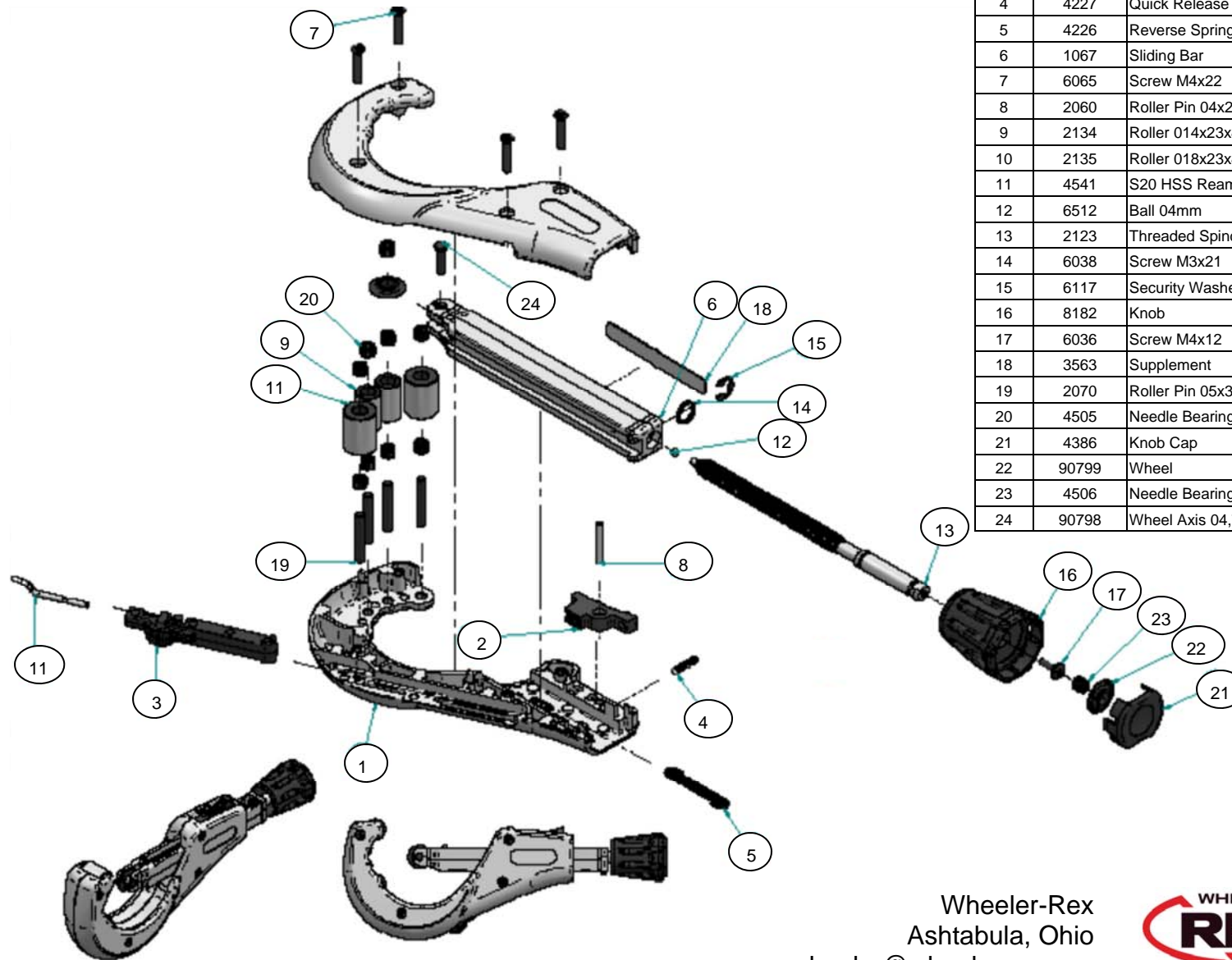


Item	PN	Description	Qty
1	2129	Roller Pin 05x25, 5mm	4
2	1210	Body	1
3	6038	Screw M3x21	3
4	8185	Knob	1
5	2062	Body Ring	1
6	6036	Screw M4x12	1
7	4384	Reamer Basis	1
8	4386	Knob Cap	1
9	2133	Roller 012x18, 5x8	4
10	9125	Sliding Bar with steel socket	1
11	4541	S20 HSS Reamer	1
12	90799	Wheel	2
13	4506	Needle Bearing 07,85x04,85x6	2
14	4505	Needle Bearing 08x05x5	8
15	90798	Wheel Axis 04,75	1
16	2027	Threaded Spindle	1

Wheeler-Rex
 Ashtabula, Ohio
wheeler@wheelerrex.com
www.wheelerrex.com



Model 90764 1/4" - 3" SS Tubing Cutter



Item	PN	Description	Qty
1	1304	Body	1
2	6648	Quick Release Button	1
3	4385	Reamer Basis	1
4	4227	Quick Release Button Spring	1
5	4226	Reverse Spring	1
6	1067	Sliding Bar	1
7	6065	Screw M4x22	4
8	2060	Roller Pin 04x25,5mm	1
9	2134	Roller 014x23x8mm	1
10	2135	Roller 018x23x8mm	2
11	4541	S20 HSS Reamer	1
12	6512	Ball 04mm	1
13	2123	Threaded Spindle	1
14	6038	Screw M3x21	1
15	6117	Security Washer 07	1
16	8182	Knob	1
17	6036	Screw M4x12	1
18	3563	Supplement	1
19	2070	Roller Pin 05x30,5mm	4
20	4505	Needle Bearing 08x05x5	8
21	4386	Knob Cap	1
22	90799	Wheel	2
23	4506	Needle Bearing 07,85x04,85x6	2
24	90798	Wheel Axis 04,75	1

Wheeler-Rex
 Ashtabula, Ohio
wheeler@wheelerrex.com
www.wheelerrex.com

